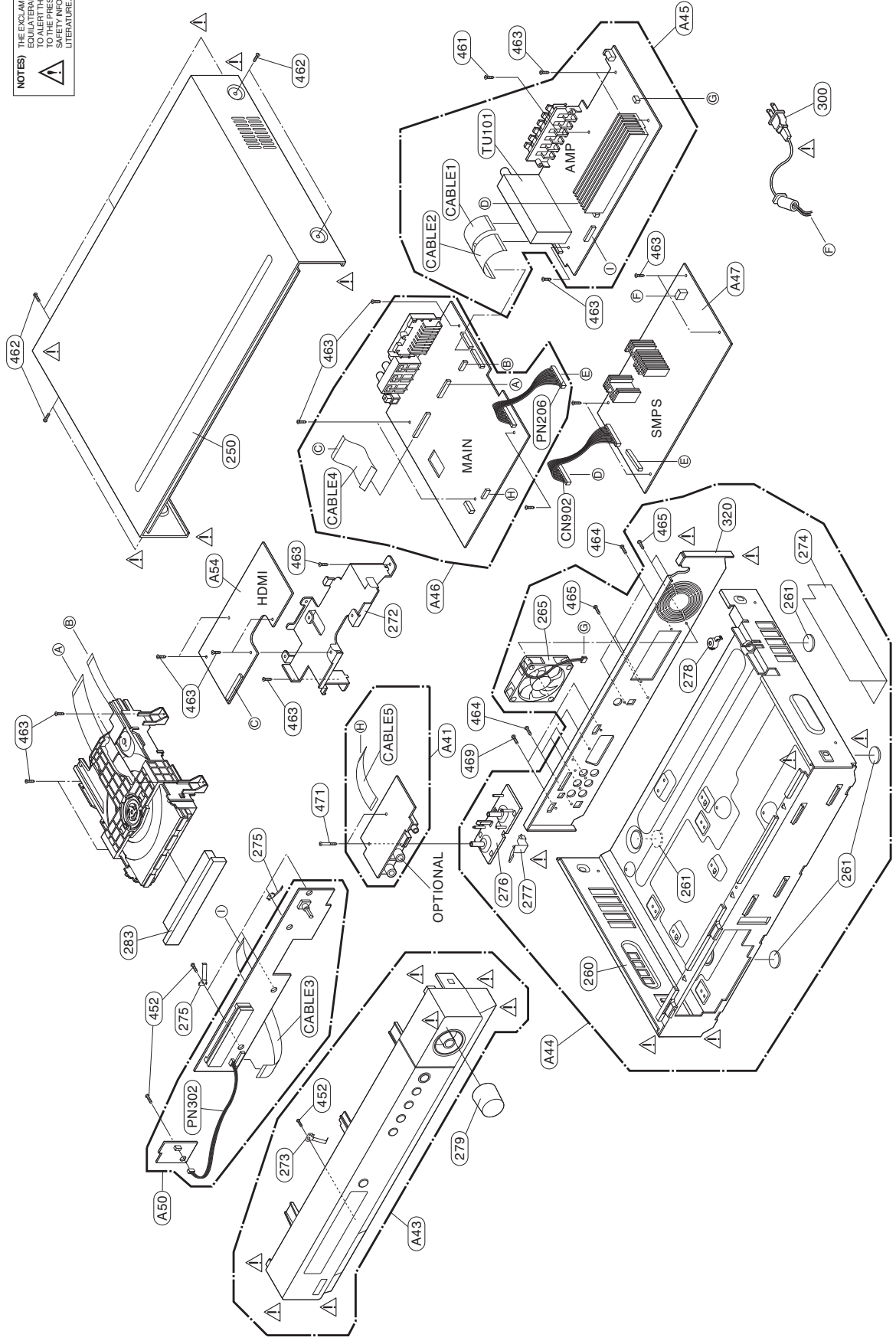


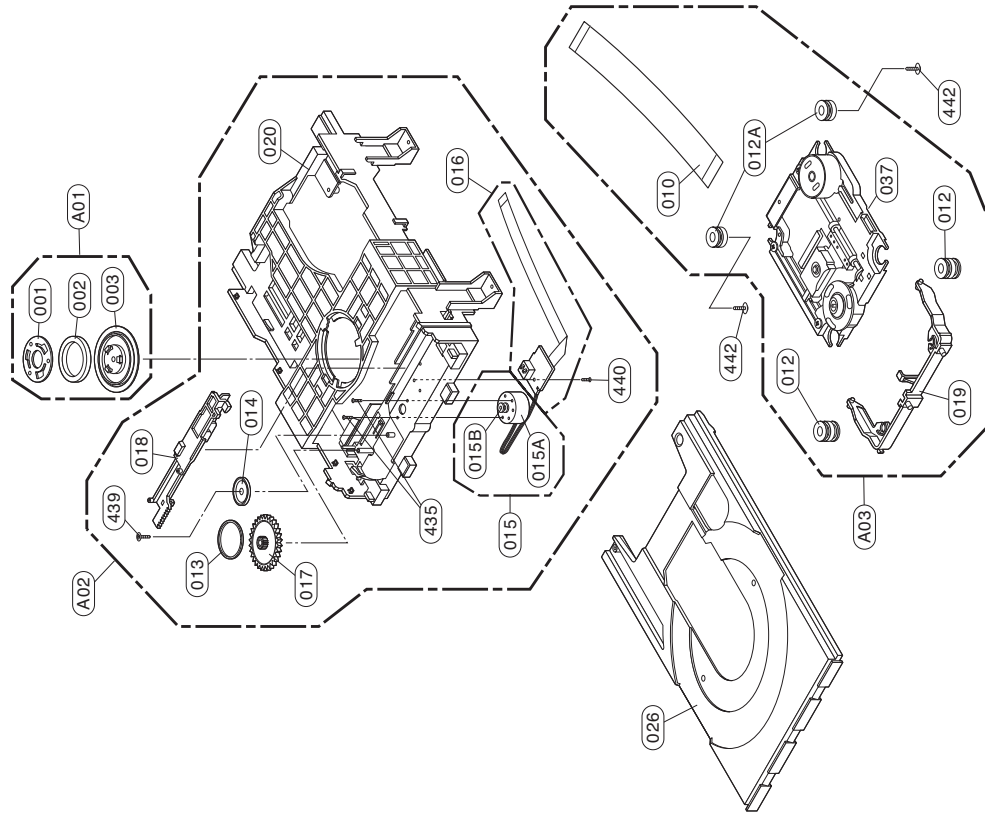
SECTION 3. EXPLODED VIEWS

• CABINET AND MAIN FRAME SECTION

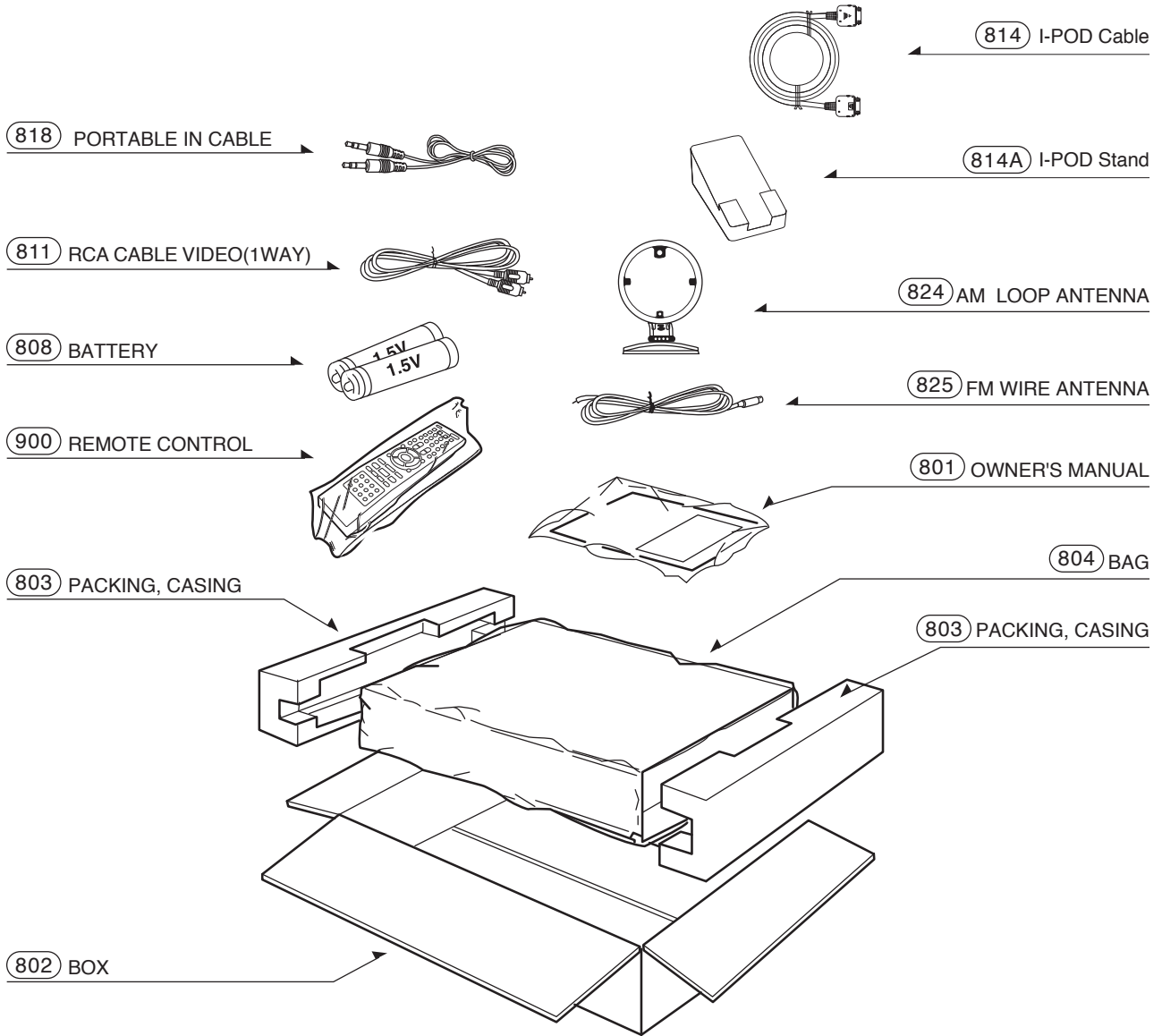


NOTES) THE EXCLAMATION POINT WITHIN AN EQUILATERAL TRIANGLE IS INTENDED TO ALERT THE SERVICE PERSONNEL TO THE PRESENCE OF IMPORTANT INFORMATION IN SERVICE LITERATURE.

• DECK MECHANISM EXPLODED VIEW(DP-12AV)

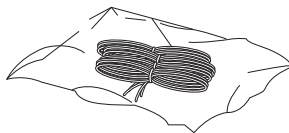


• **PACKING ACCESSORY SECTION**



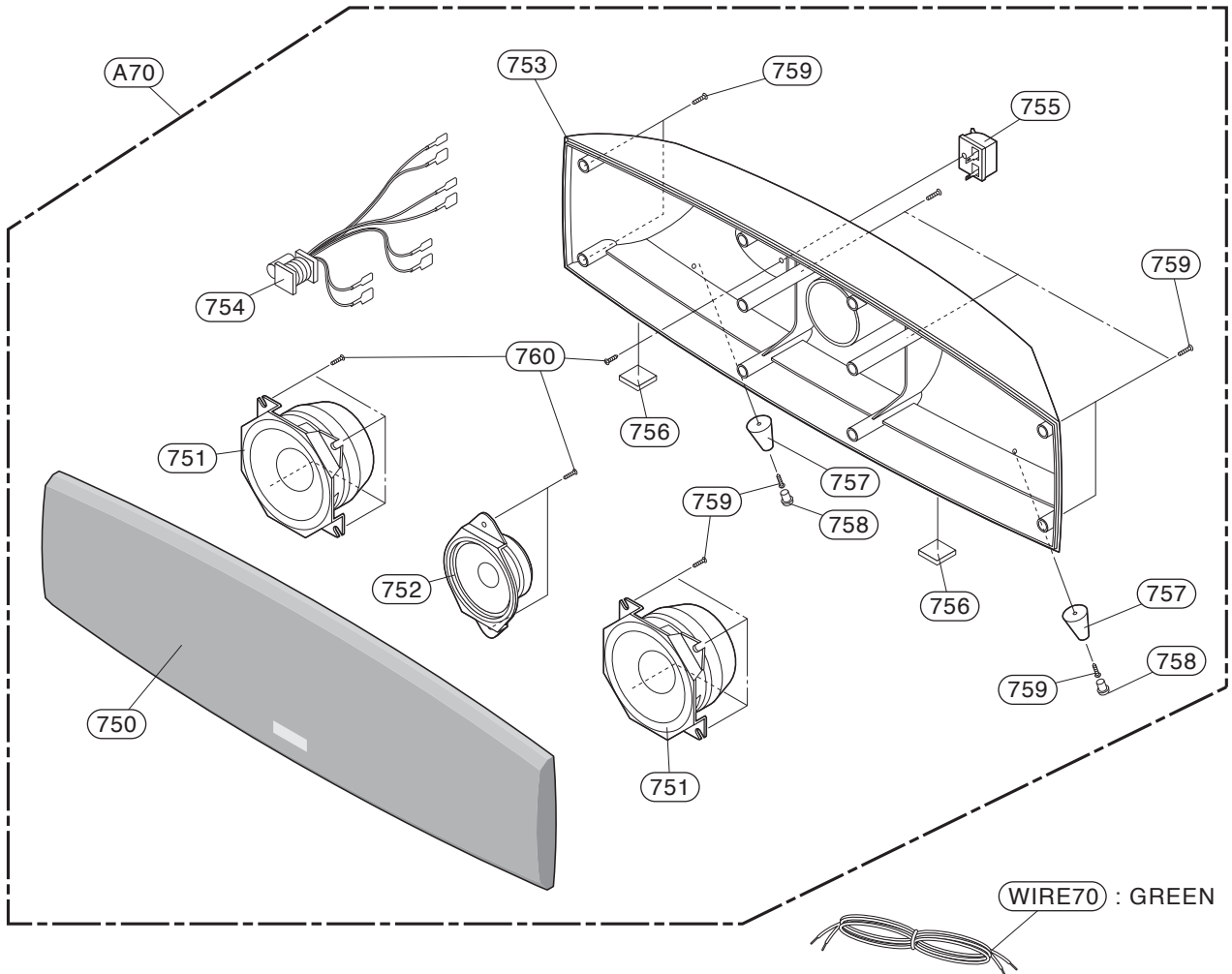
SPEAKER CABLE

- (WIRE80) Front Left
- (WIRE81) Front Right
- (WIRE70) Center
- (WIRE90) Subwoofer

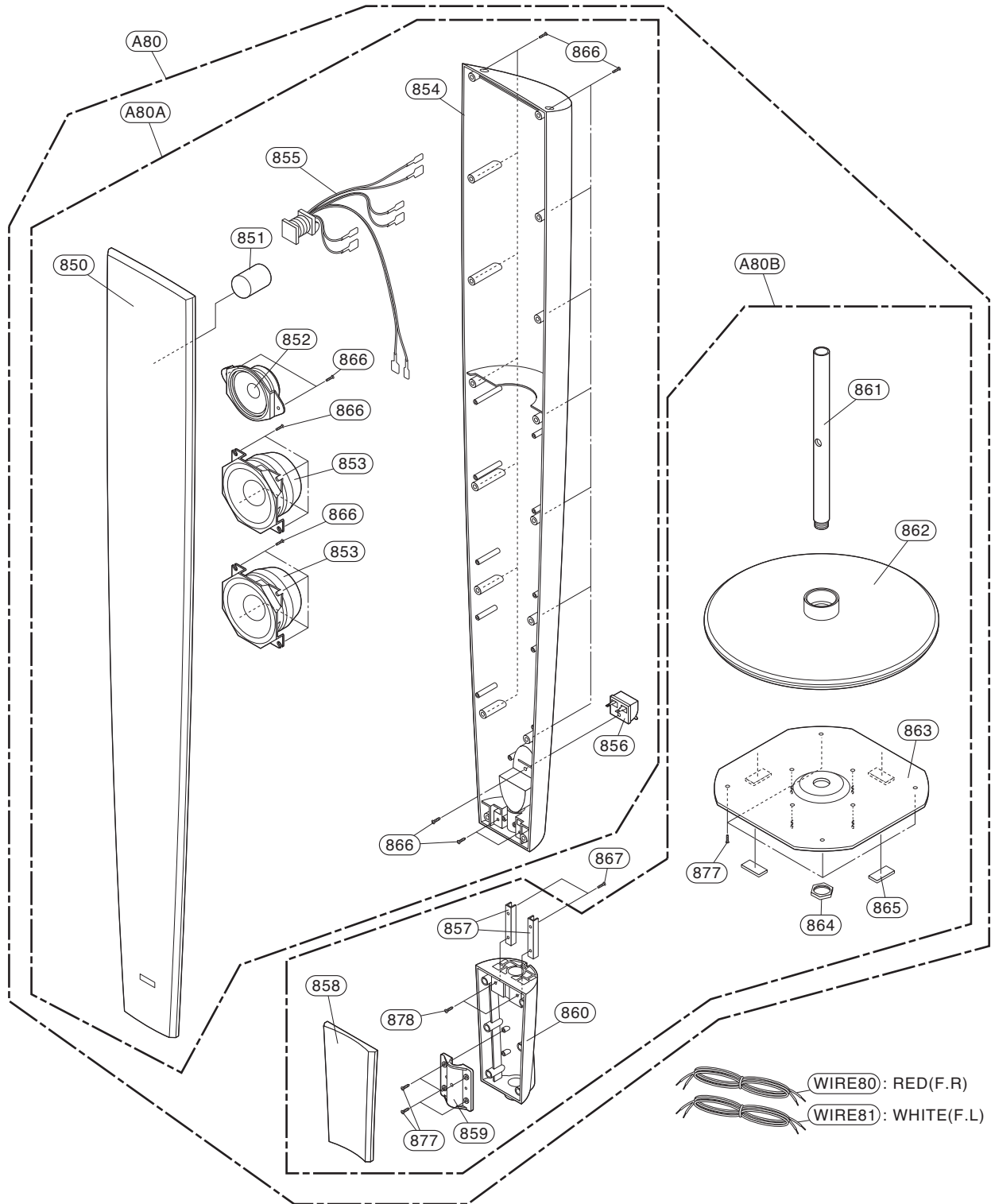


• SPEAKER SECTION

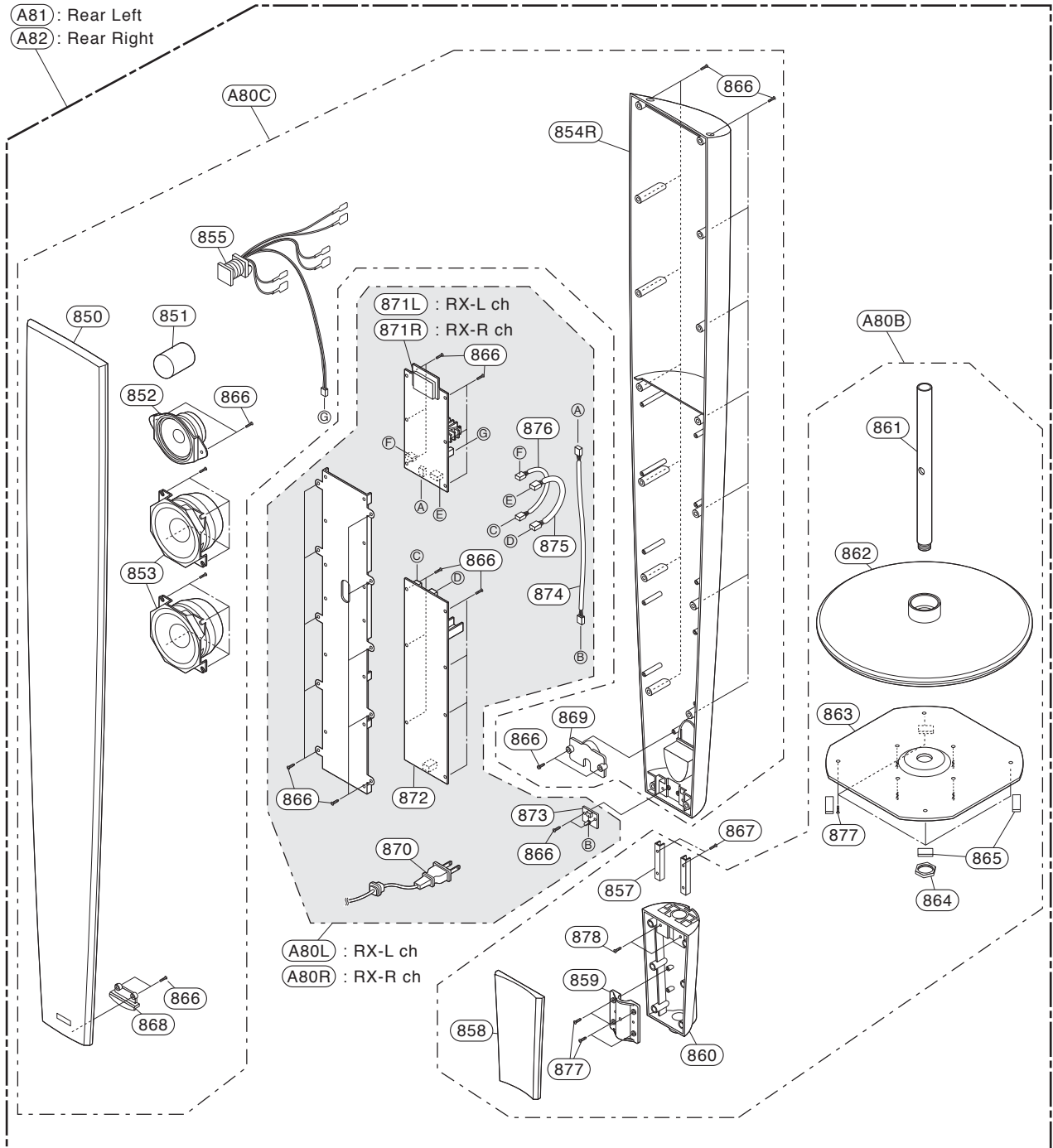
1. CENTER SPEAKER(SH93WA-C)



2. FRONT SPEAKER(SH93WA-F)



3. WIRELESS REAR SPEAKER(SH93WA-L/R)



5. WIRELESS TRANSMITTER(W93-T2)

