

**SECTION 8
EXPLODED VIEWS**

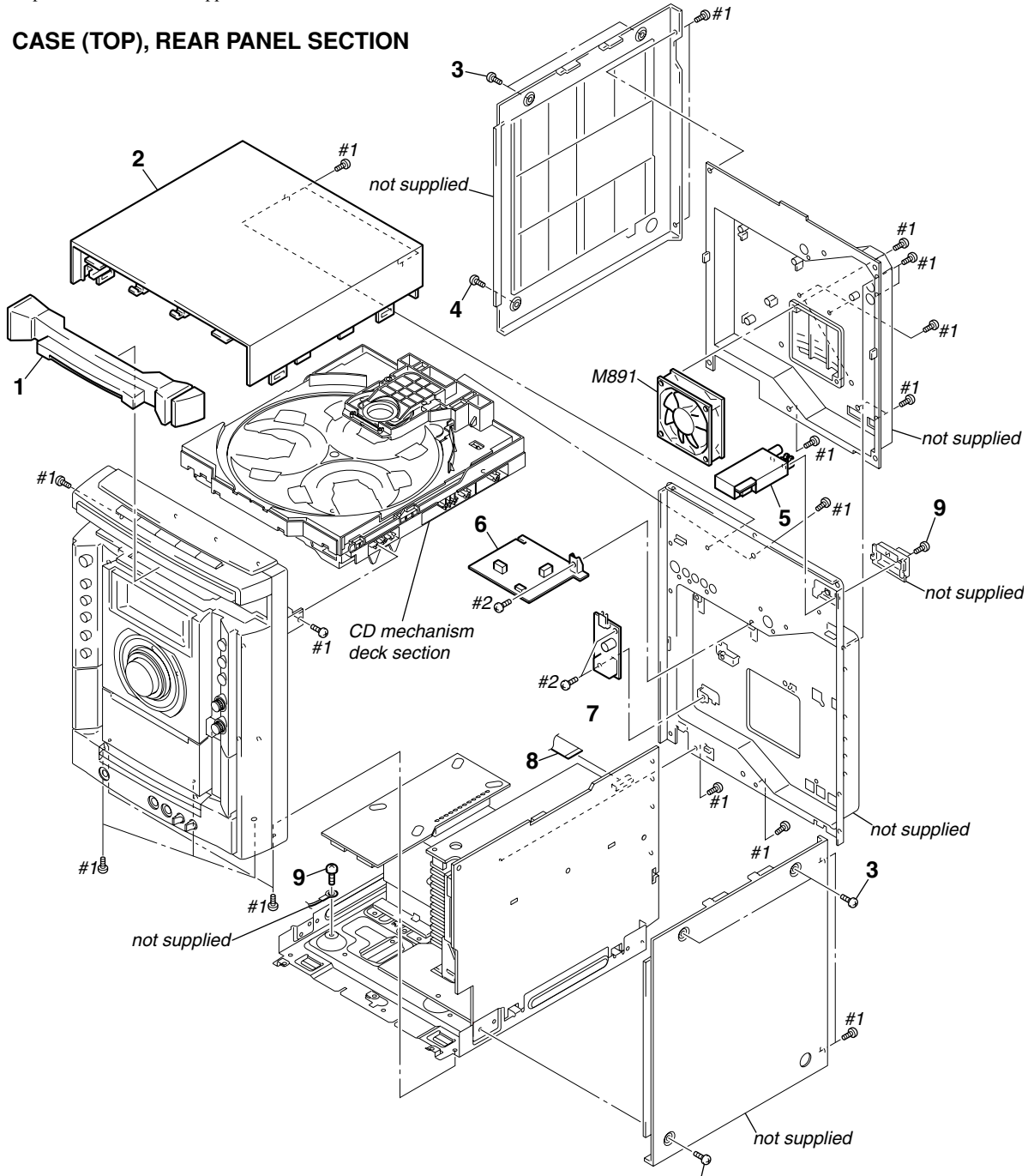
NOTE:

- -XX, -X mean standardized parts, so they may have some differences from the original one.
- Items marked "*" are not stocked since they are seldom required for routine service. Some delay should be anticipated when ordering these items.
- The mechanical parts with no reference number in the exploded views are not supplied.

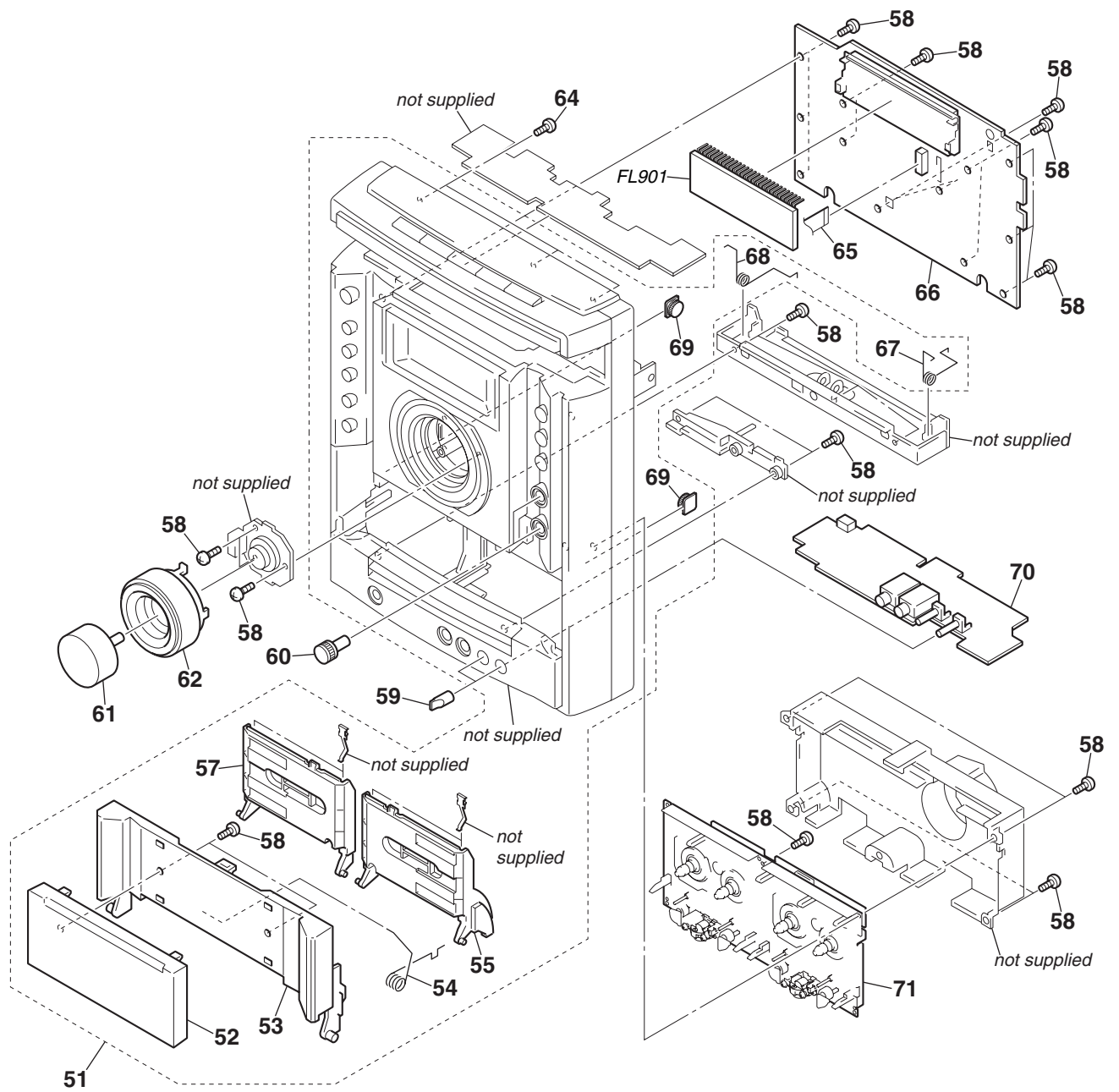
- Hardware (# mark) list and accessories are given in the last of this parts list.
- Abbreviation
 AR : Argentine model
 AUS : Australian model
 E2 : 120V AC Area in E model
 E3 : 240V AC Area in E model
 E51 : Chilean and Peruvian model

The components identified by mark \triangle or dotted line with mark \triangle are critical for safety.
 Replace only with part number specified.

8-1. CASE (TOP), REAR PANEL SECTION

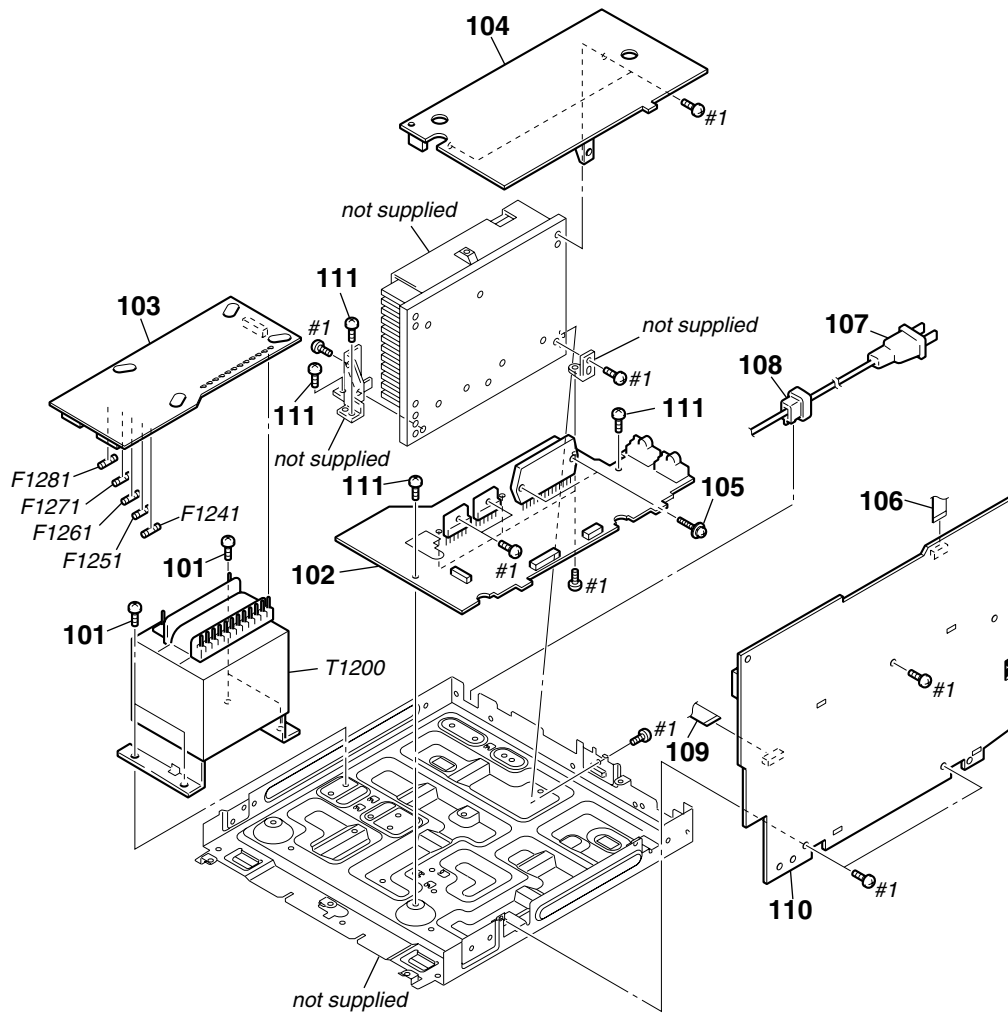


8-2. FRONT PANEL SECTION



HCD-GNX60/GNX70/GX9900

8-3. CHASSIS SECTION



HCD-GNX60/GNX70/GX9900

8-5. CD MECHANISM DECK SECTION-2 (CDM74-F1BD81)

