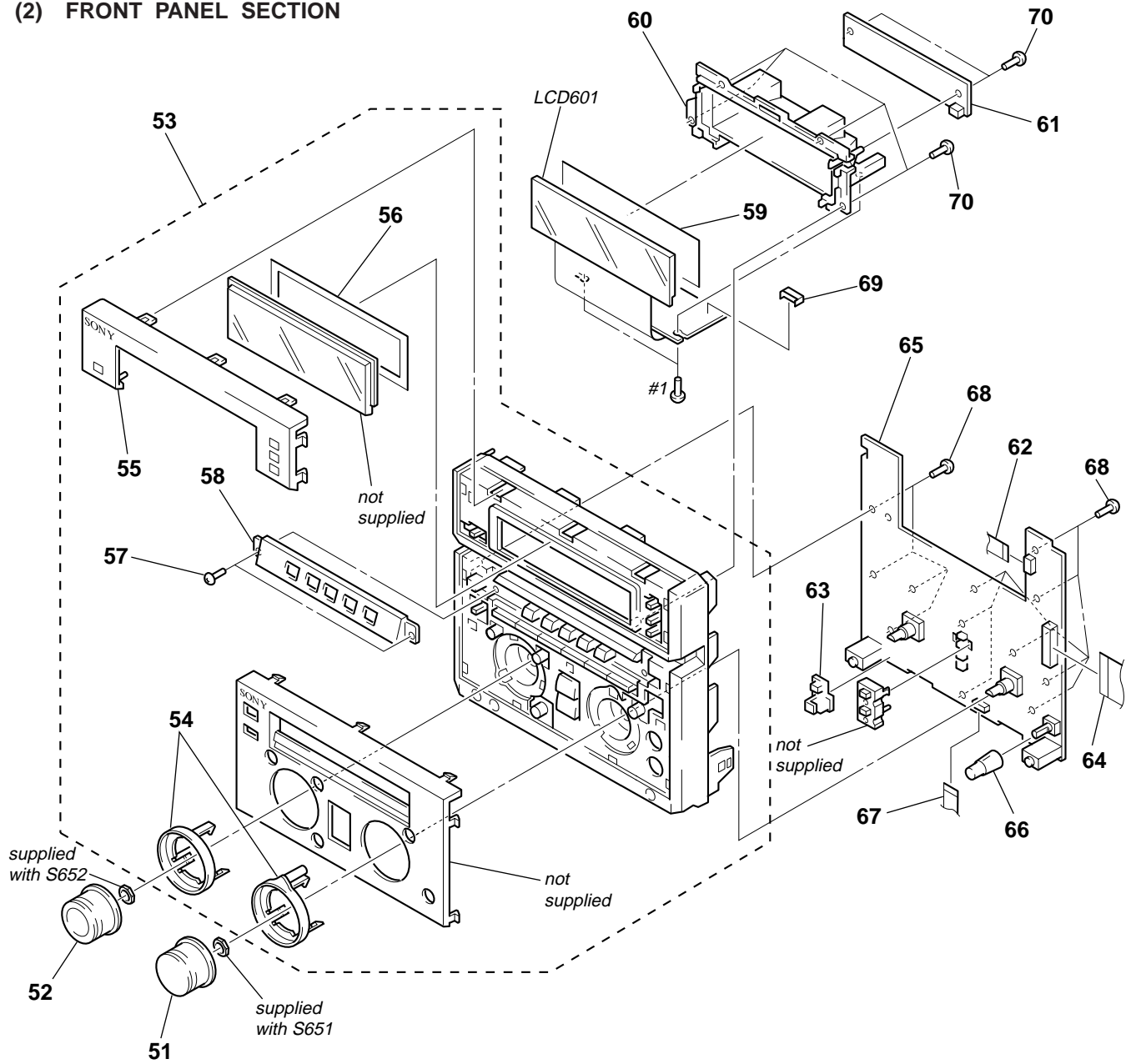




(2) FRONT PANEL SECTION



(3) CHASSIS SECTION

