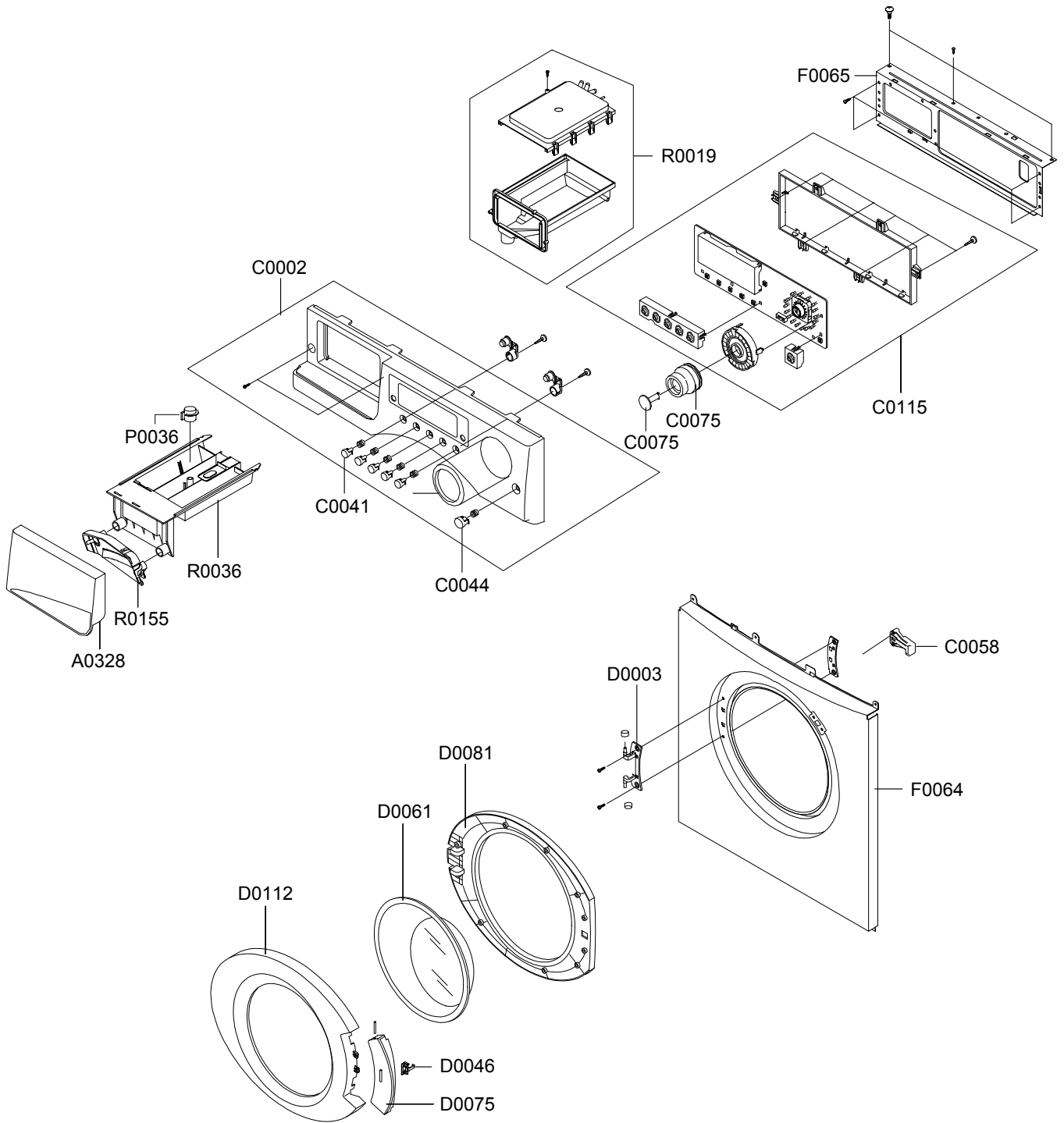
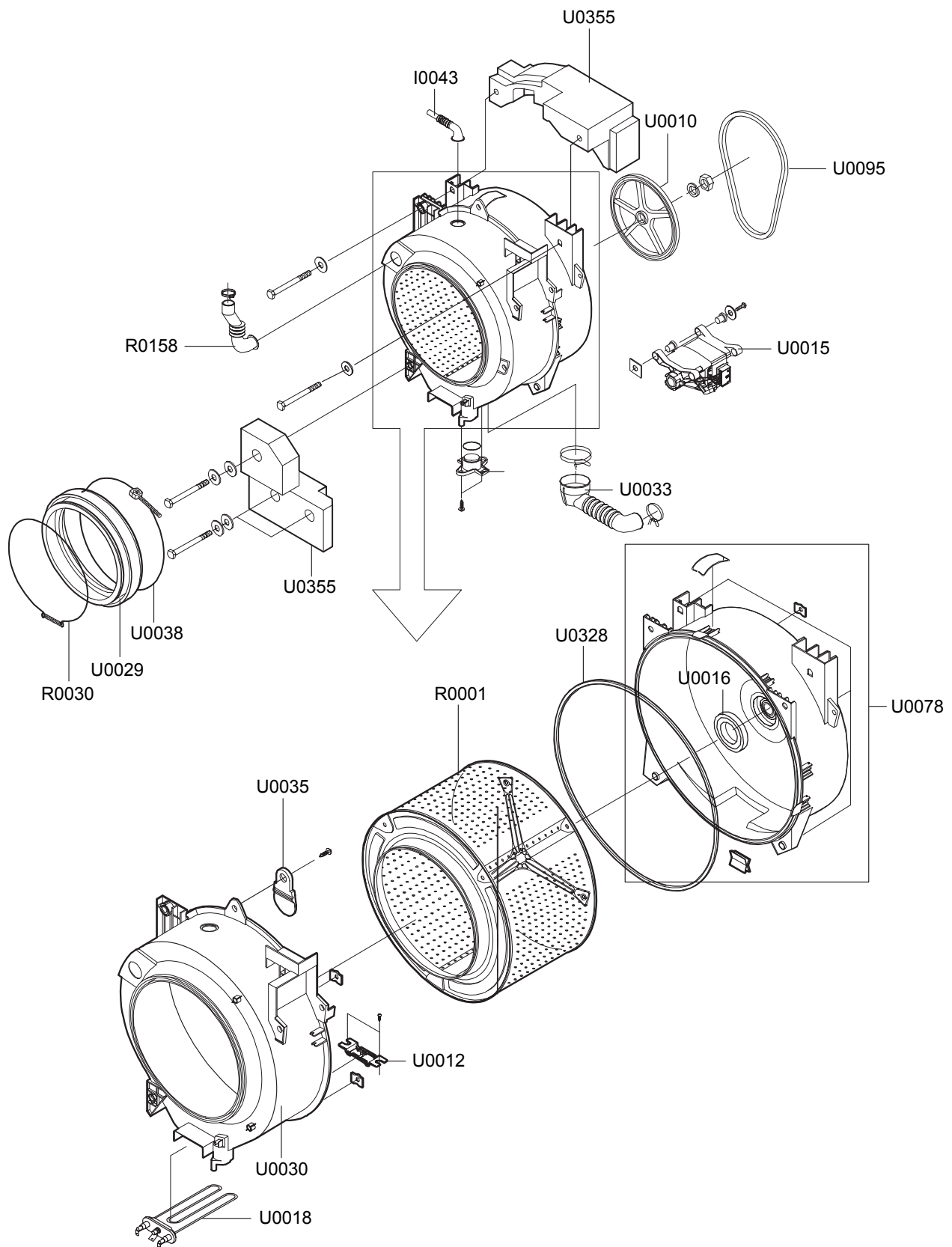

15. TOP (FRONT) – EXPLODED VIEW



15. TUB - EXPLODED VIEW



15. CASE - EXPLODED VIEW

