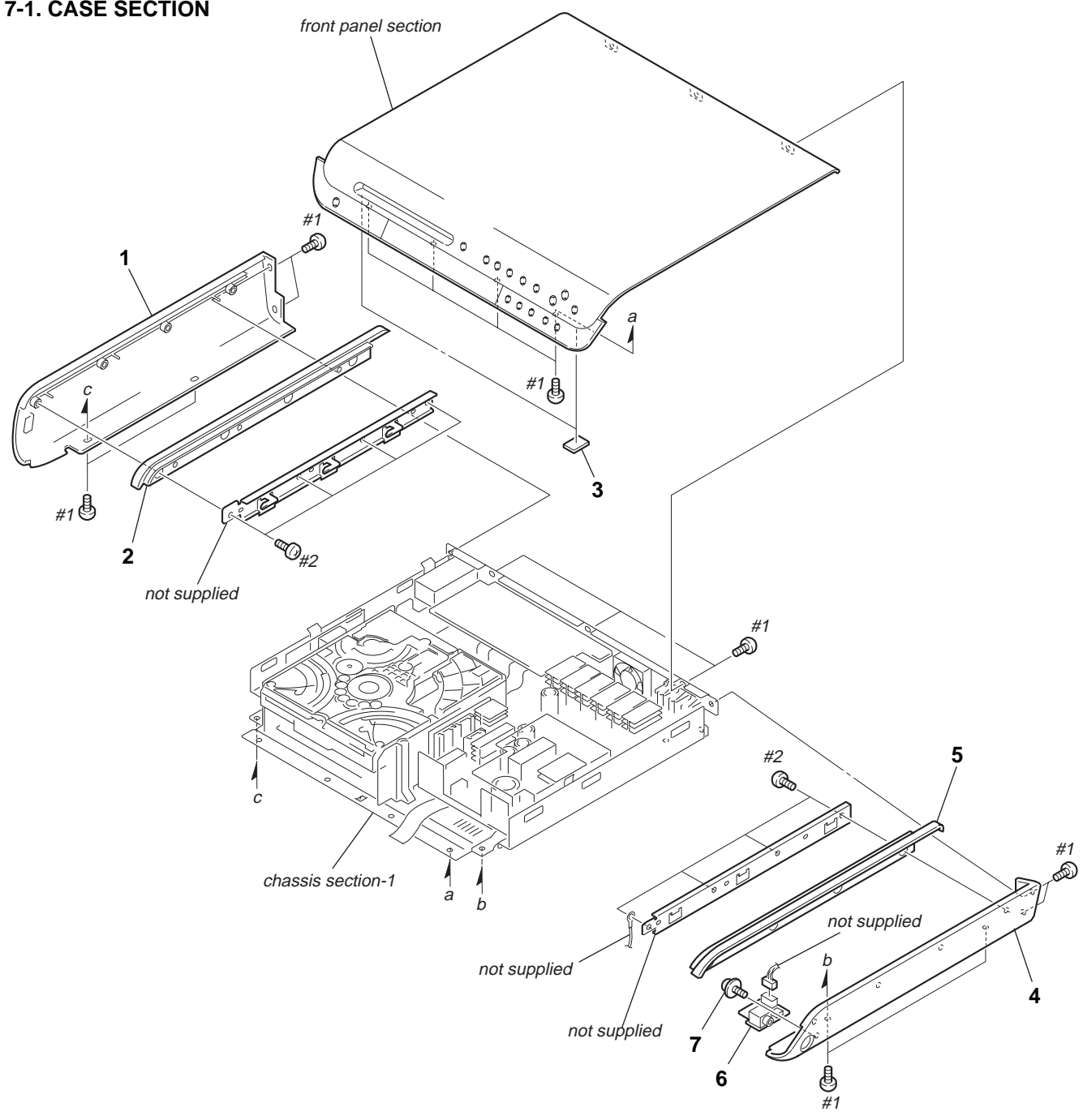
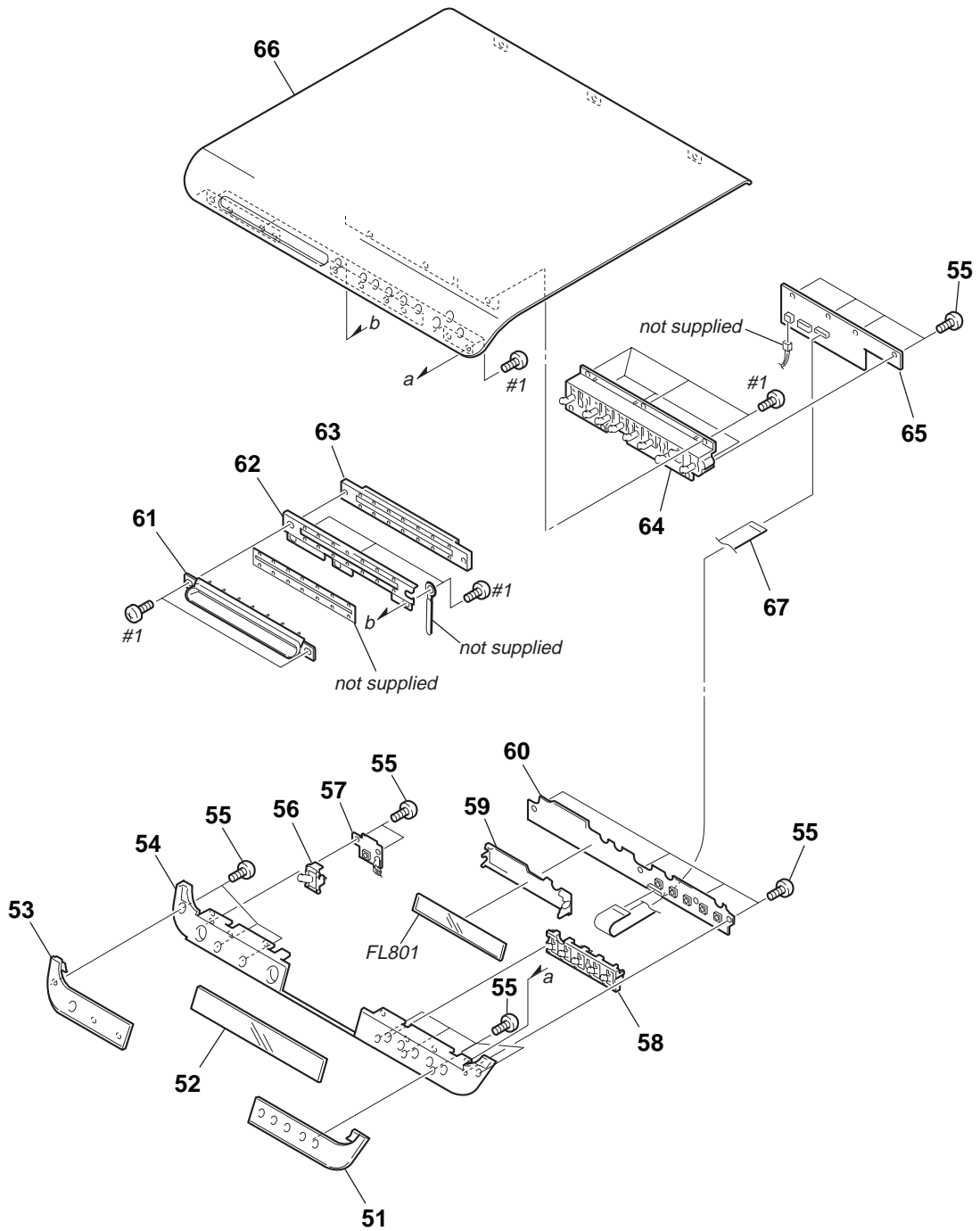


SECTION 7 EXPLODED VIEWS

7-1. CASE SECTION



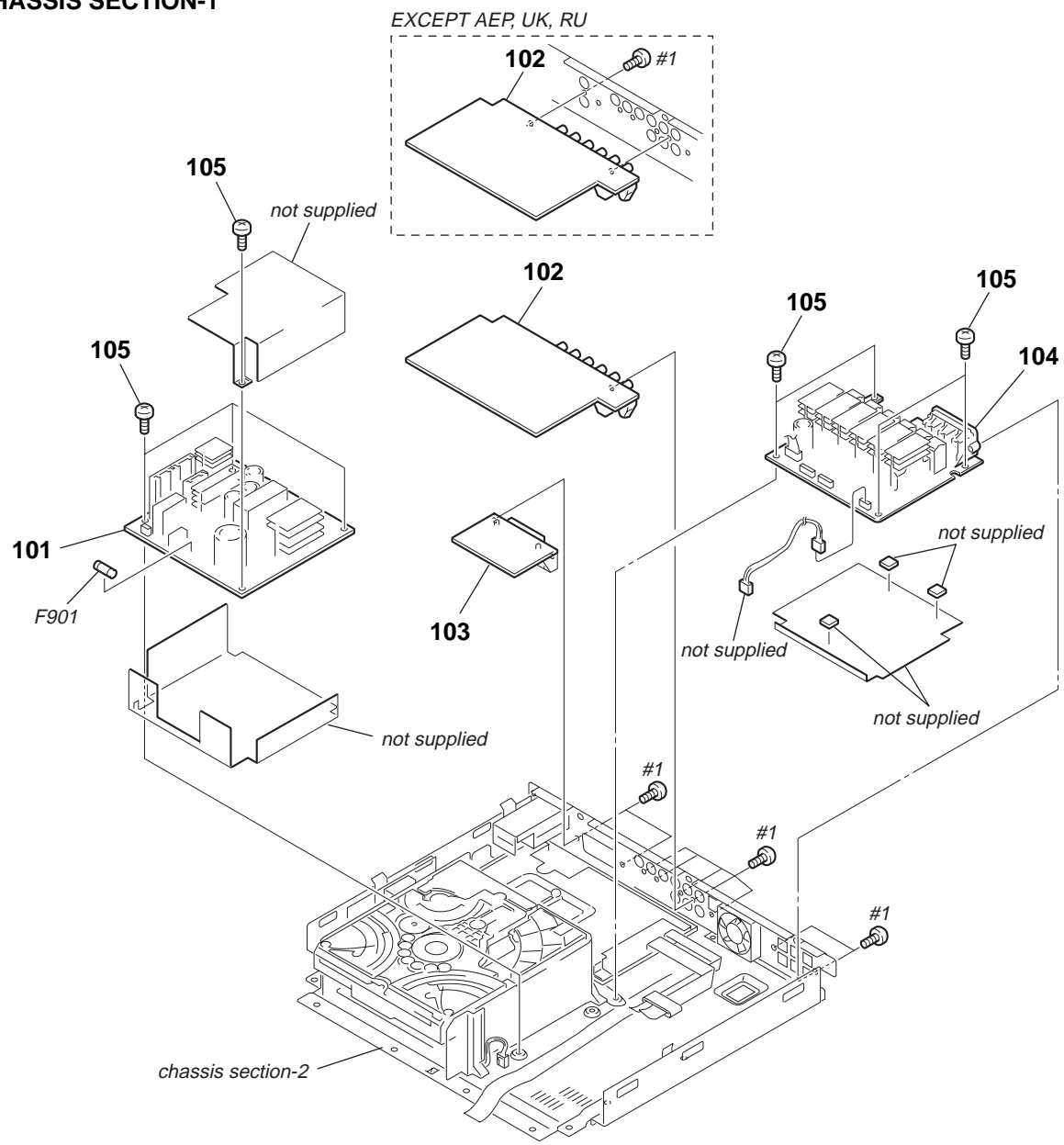
7-2. FRONT PANEL SECTION



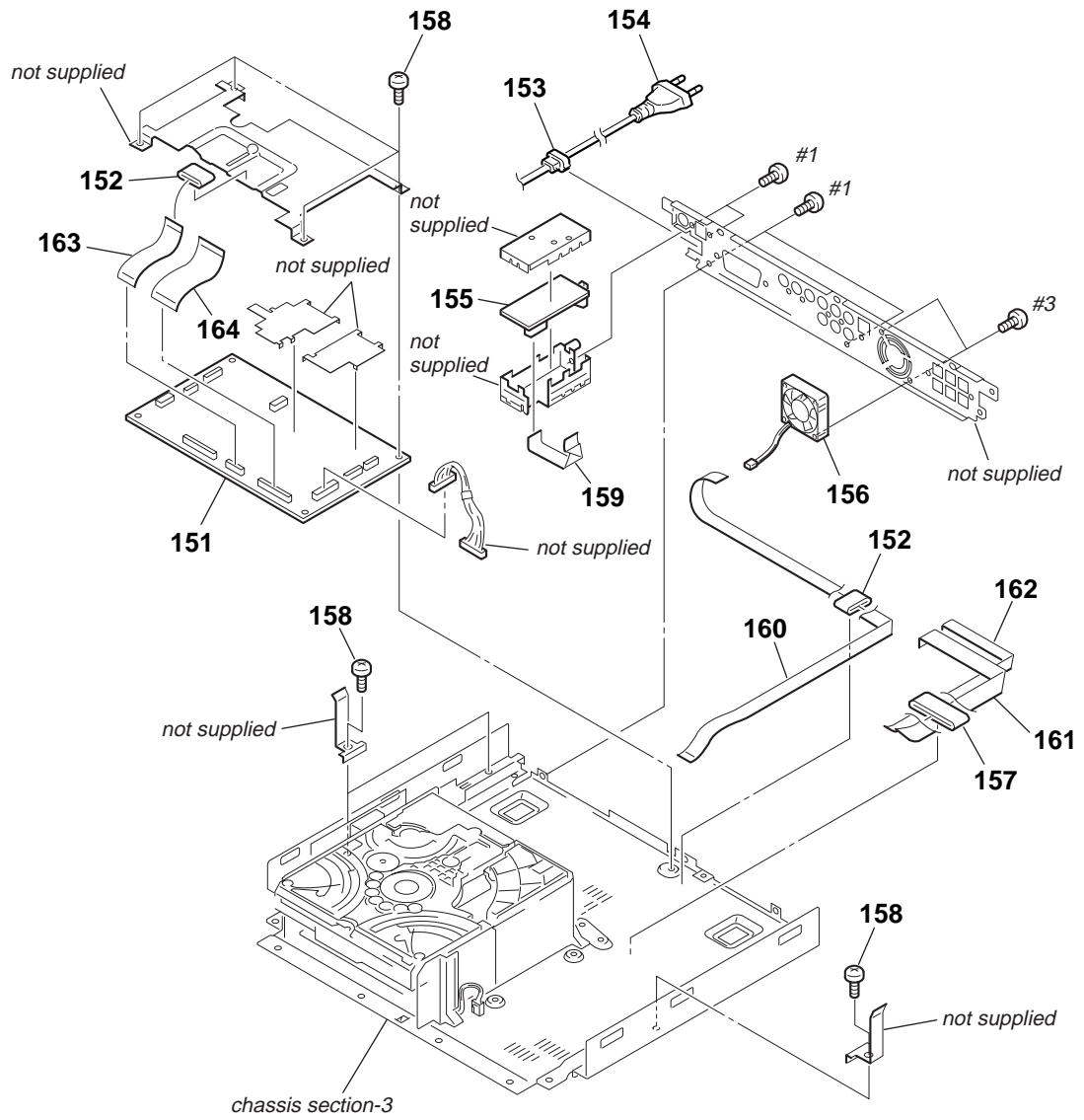
HCD-SC5/SC6/SC8

Ver. 1.4

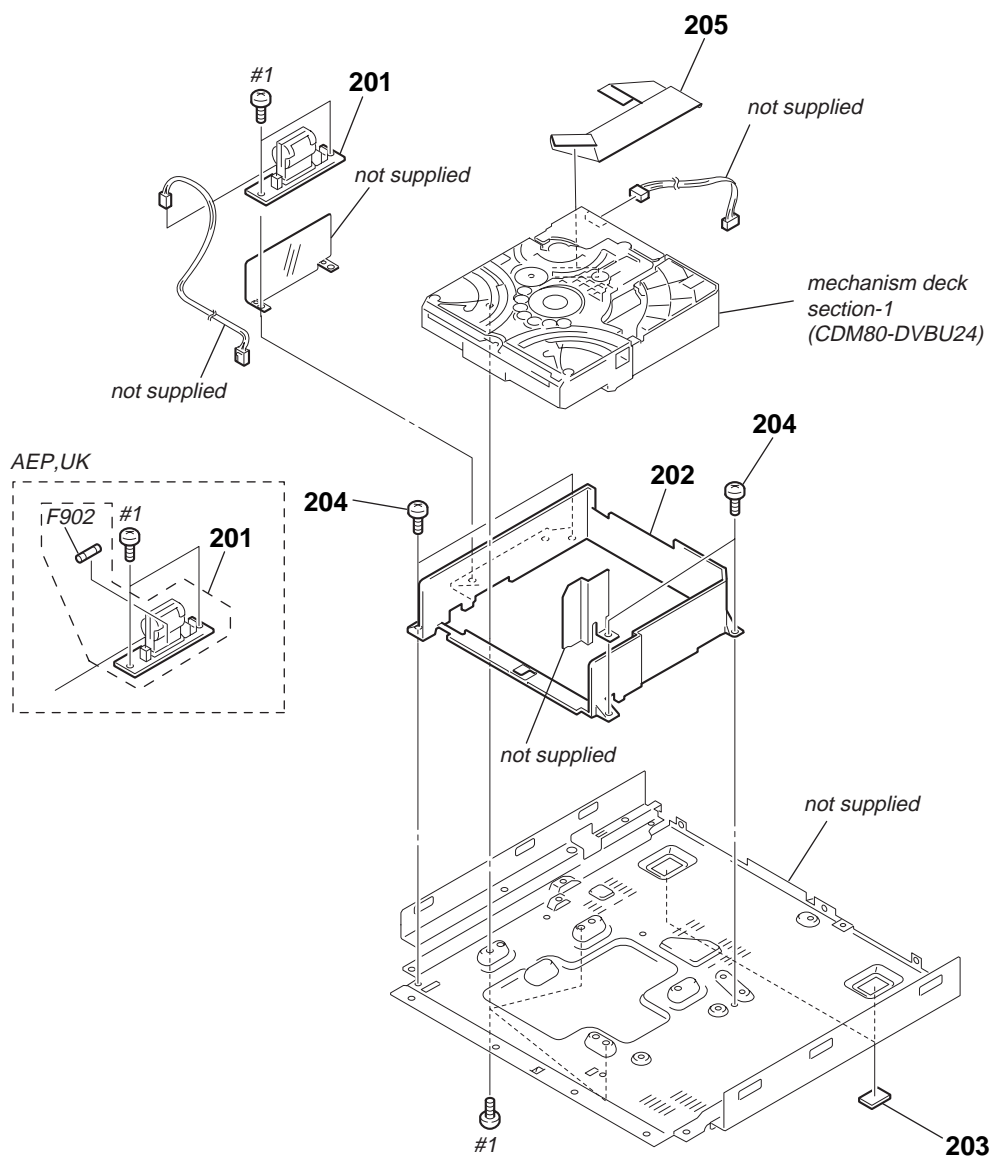
7-3. CHASSIS SECTION-1



7-4. CHASSIS SECTION-2



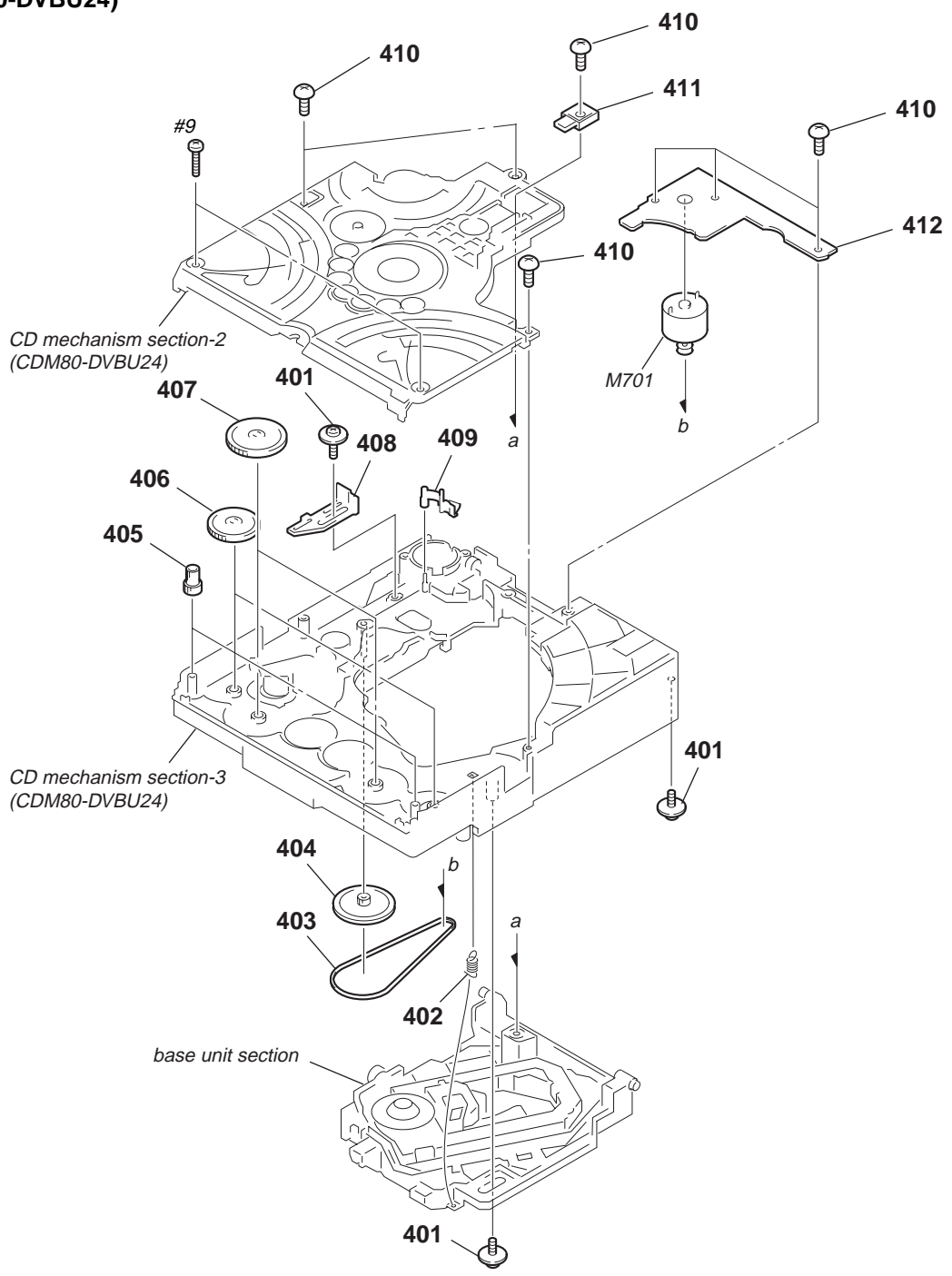
7-5. CHASSIS SECTION-3



@ Please check serial number (see page 4) and place an order for "POWER SWITCHING" or "POWER BOARD, COMPLETE".

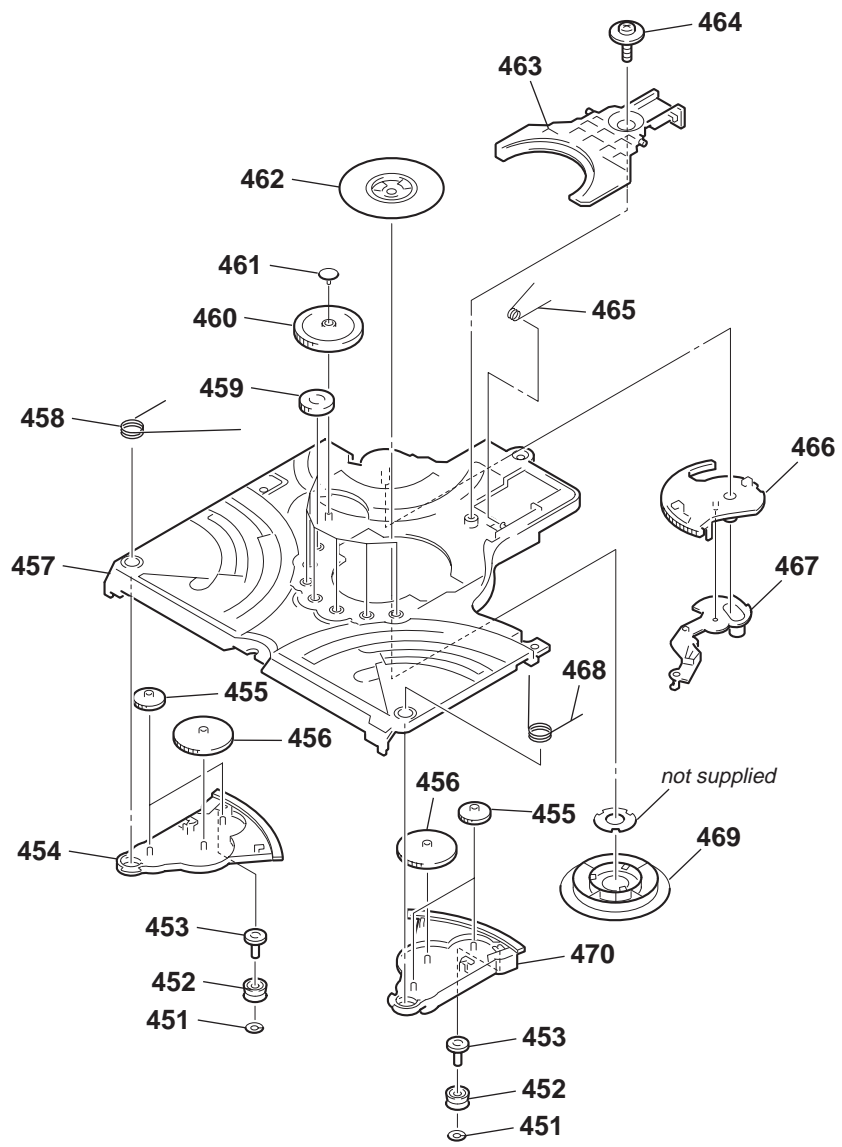
The components identified by mark \triangle or dotted line with mark \triangle are critical for safety. Replace only with part number specified.

7-6. MECHANISM DECK SECTION-1 (CDM80-DVBU24)

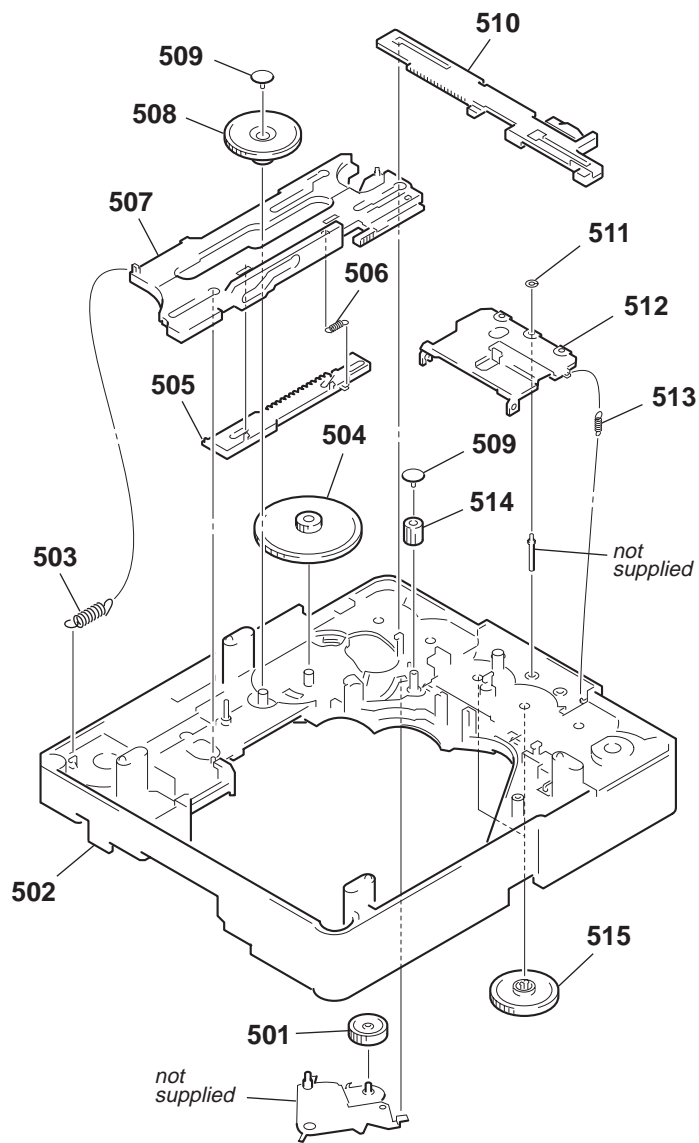


HCD-SC5/SC6/SC8

7-7. MECHANISM DECK SECTION-2 (CDM80-DVBU24)



7-8. MECHANISM DECK SECTION-3
(CDM80-DVBU24)



7-9. BASE UNIT SECTION

