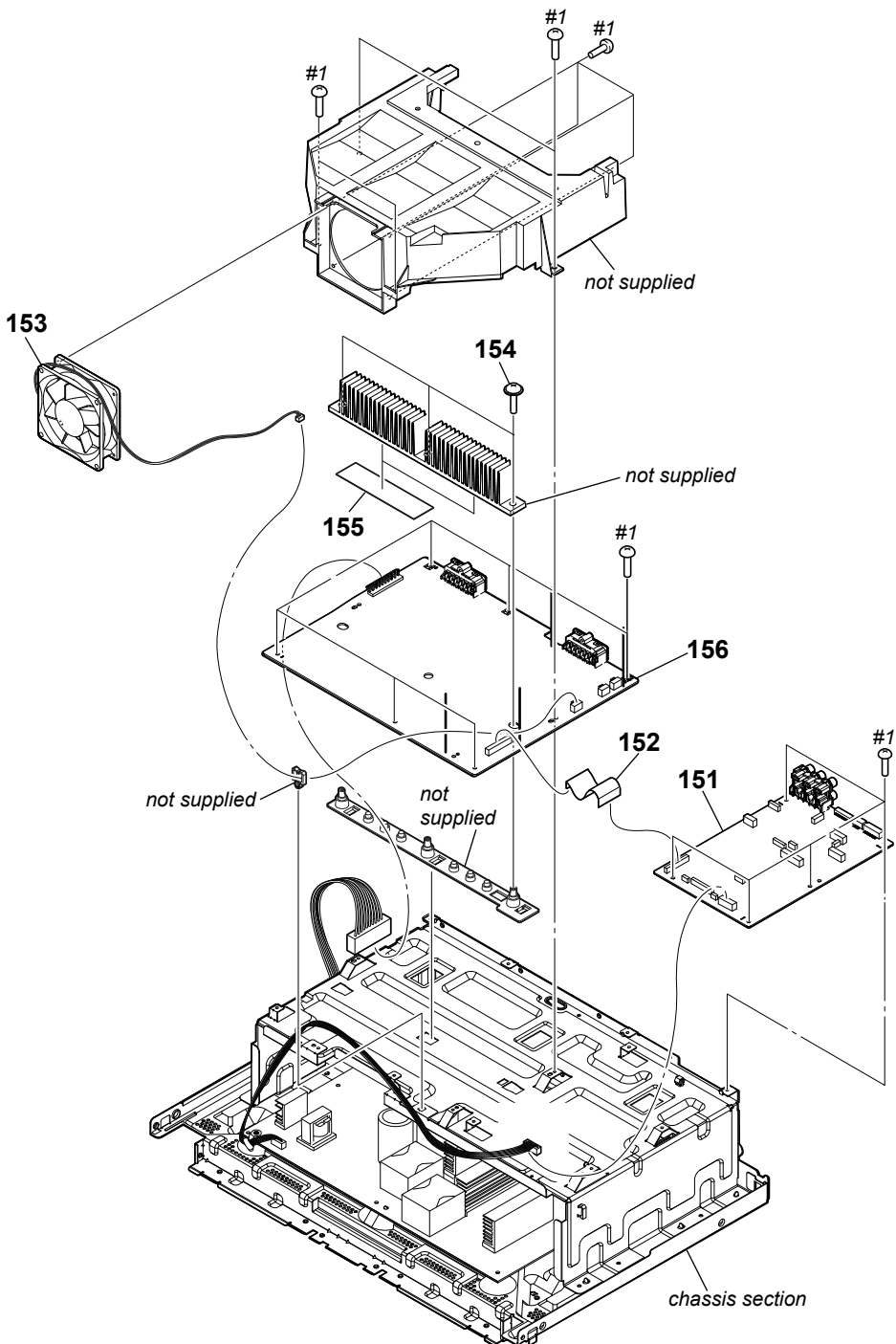


7-4. MOTHERBOARD BOARD SECTION

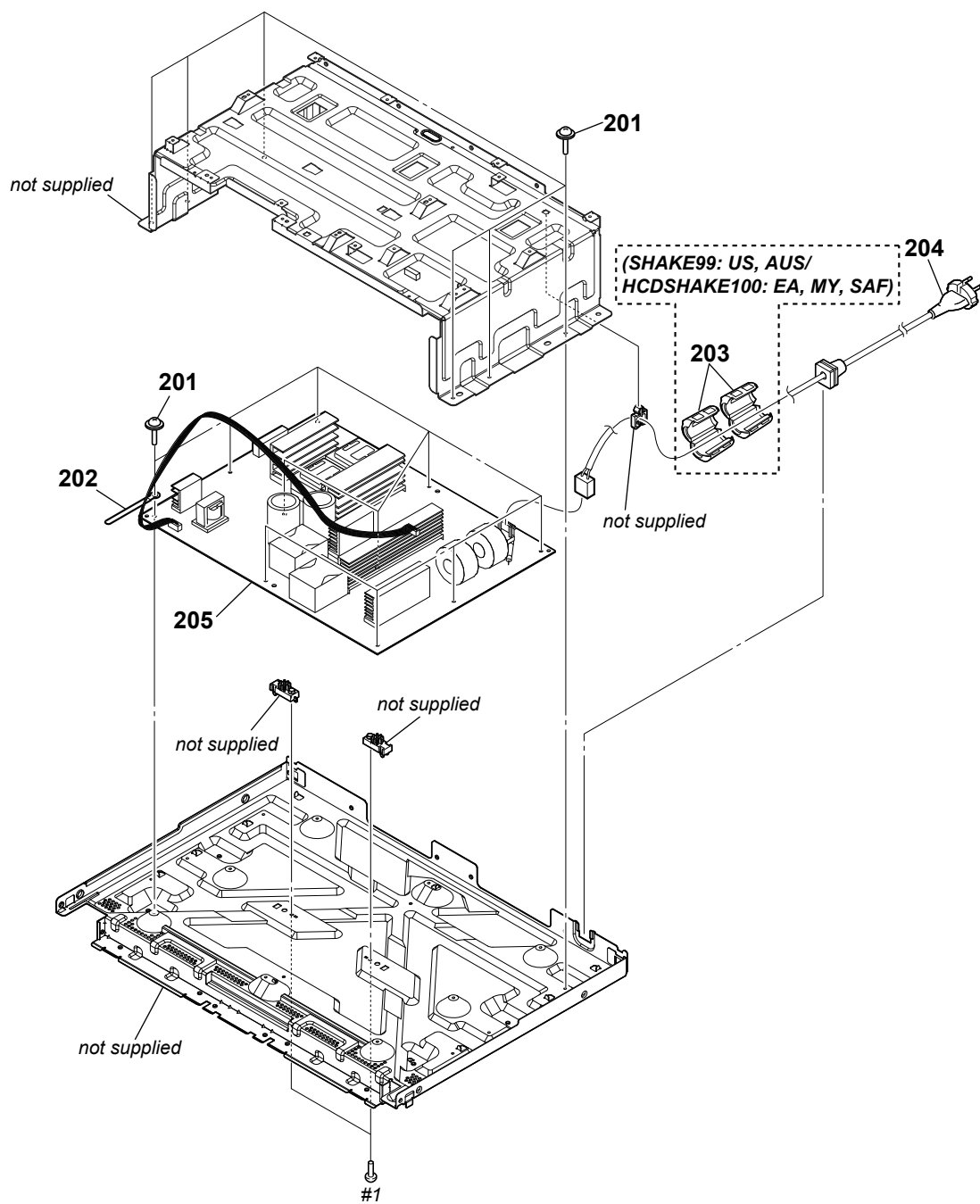


Note: If wire (flat type) is replaced, install it after bending it in the same form as that before replacement.

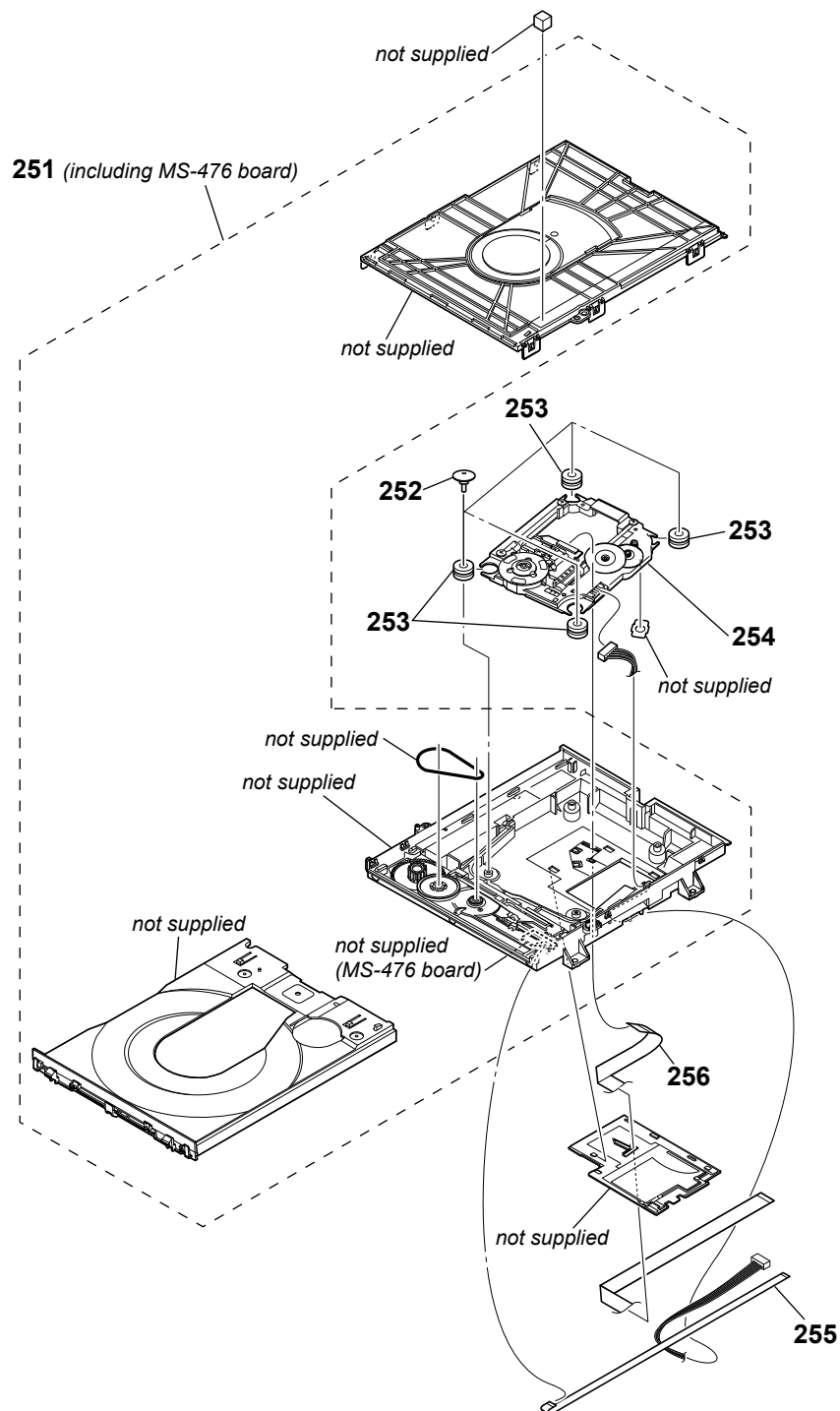
HCD-SHAKE99/HCDSHAKE100

Ver. 1.5

7-5. CHASSIS SECTION



7-6. CD MECHANISM SECTION
(CDM90-DVBU202//M)



Note: If flexible flat cable and wires (flat type) is replaced, install it after bending it in the same form as that before replacement.