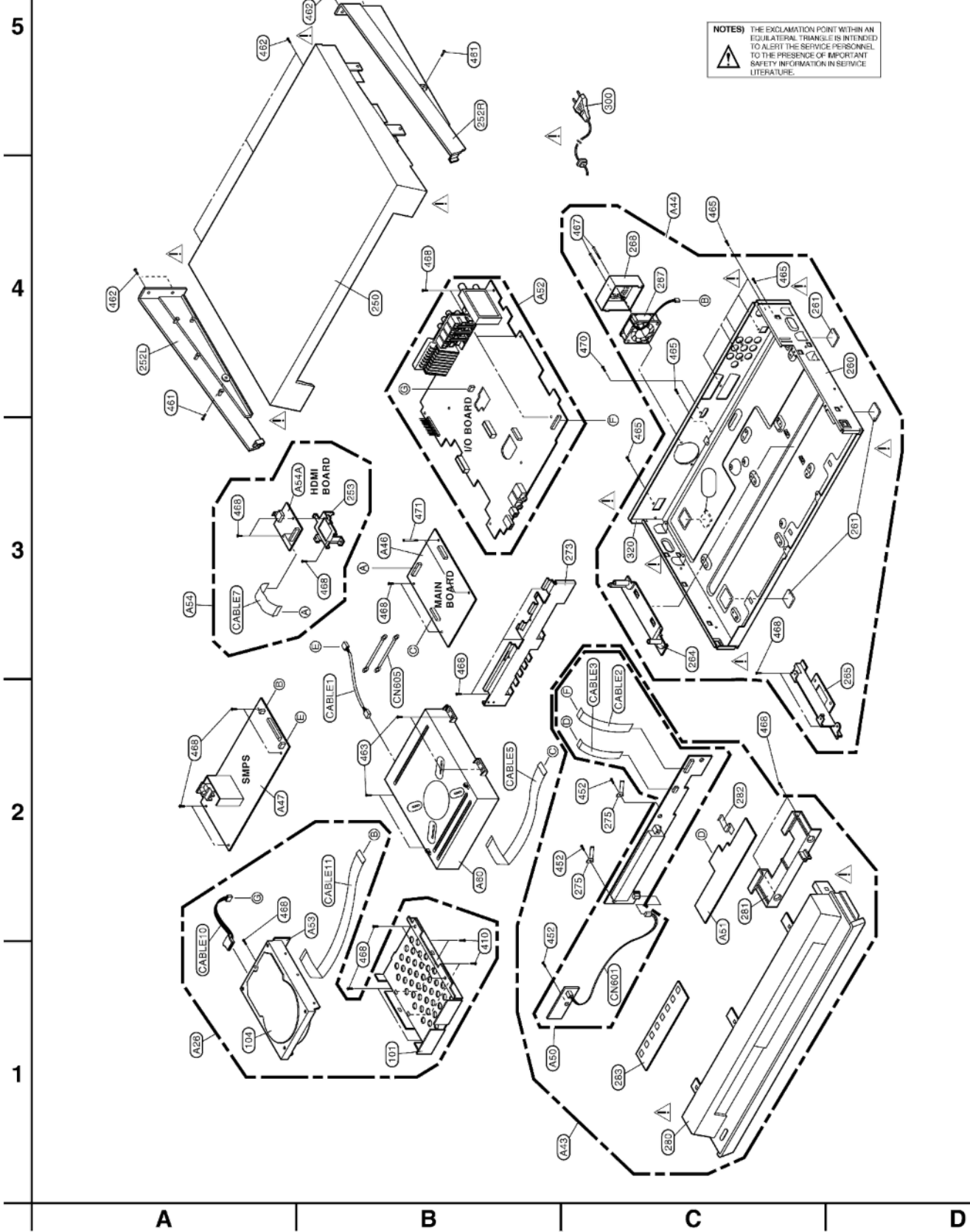
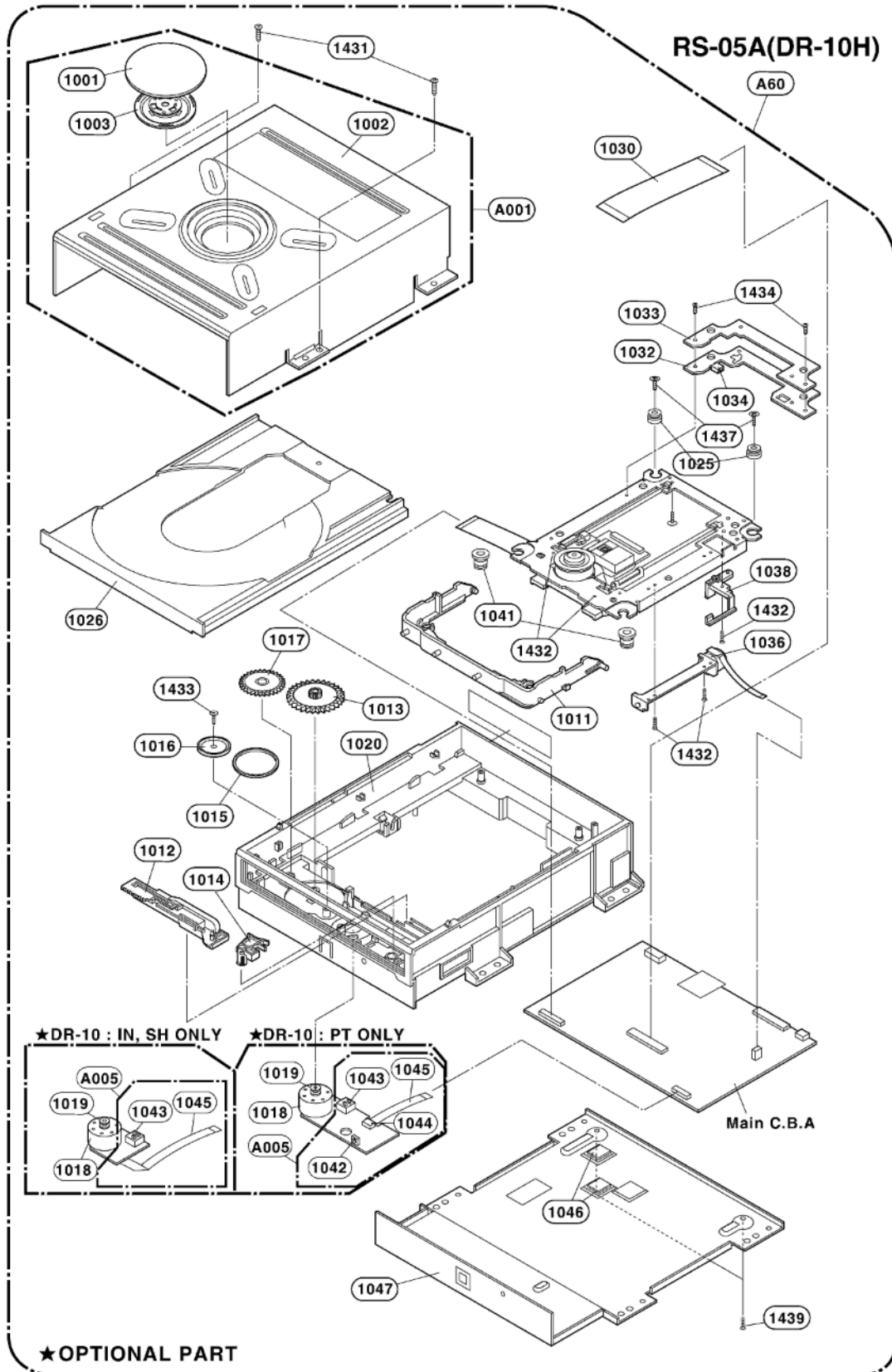


# EXPLODED VIEWS

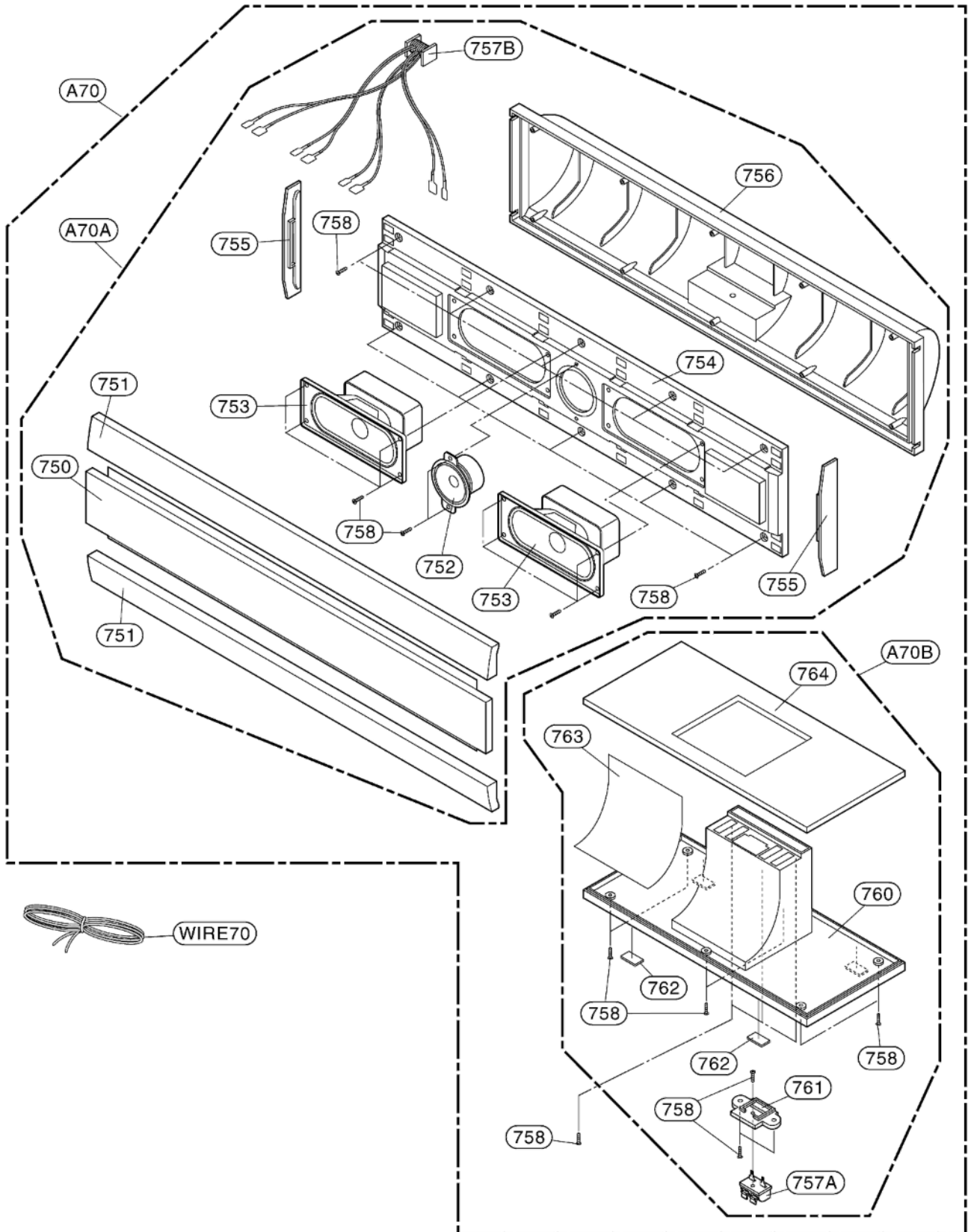
## 1. CABINET AND MAIN FRAME SECTION



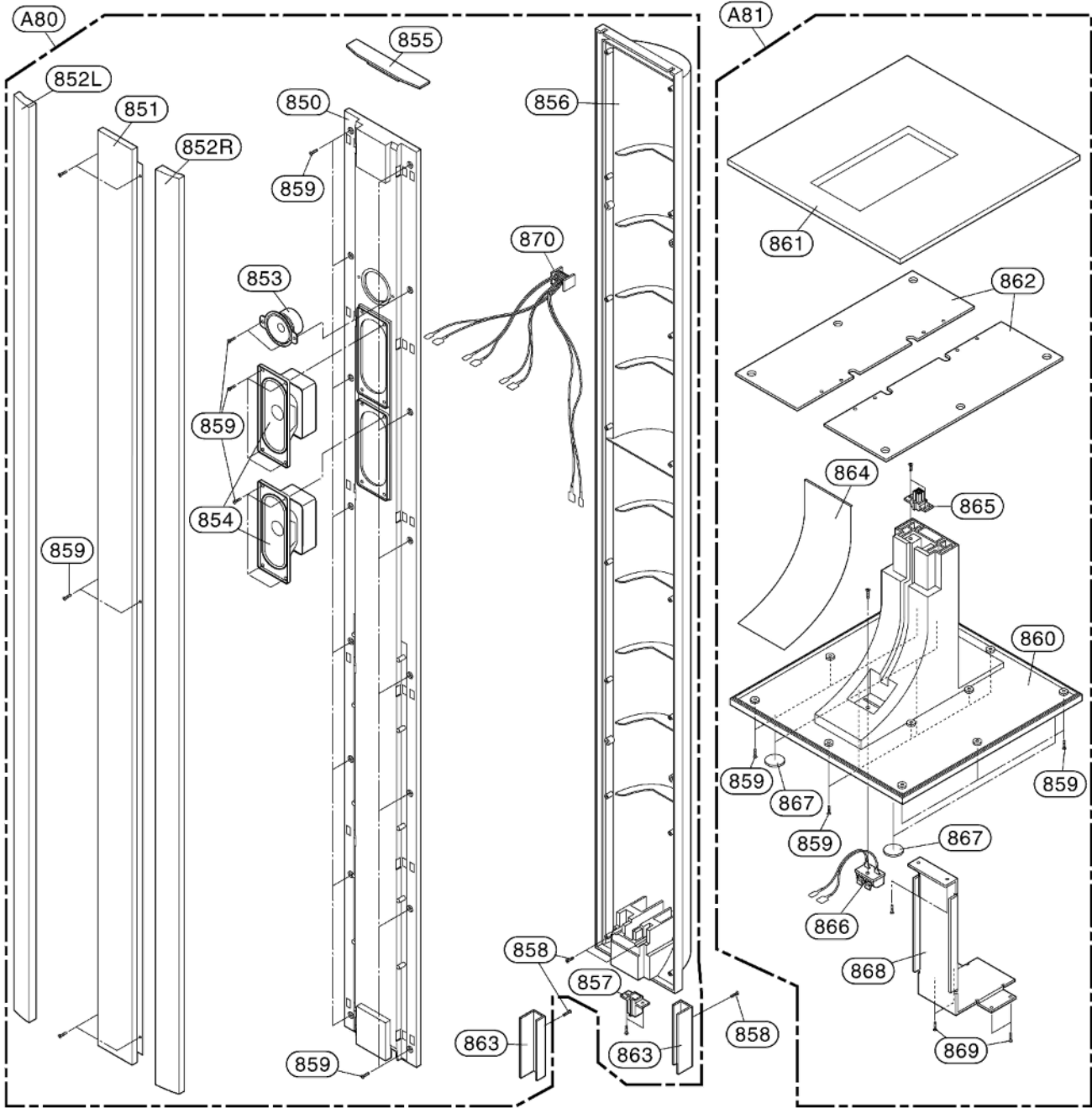
## 2. DECK MECHANISM SECTION(RS-05A)



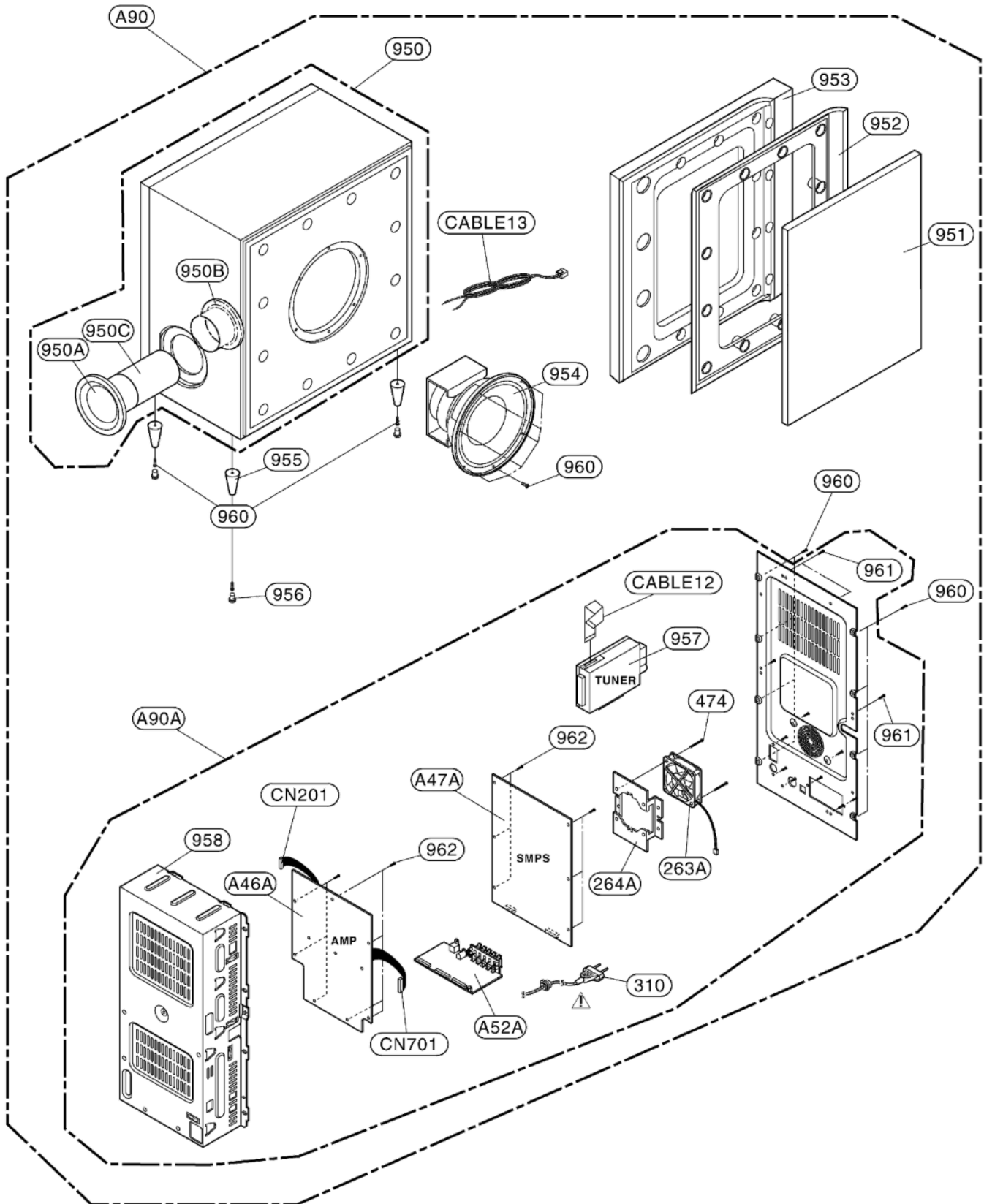
### 3. CENTER SPEAKER SECTION(SH92TA-C)



#### 4. FRONT/REAR SPEAKER SECTION(SH92TA-S)



## 5. ACTIVE WOOFER SPEAKER SECTION(SH92TA-A)



## 6. PACKING ACCESSORY SECTION

