

MDR-DS6500

DP-RF6500/MDR-RF6500

SERVICE MANUAL

Ver. 1.4 2017.10



*US Model
Canadian Model
AEP Model
UK Model
Chinese Model
Korean Model*

- MDR-DS6500 is composed of following models

Wireless stereo headphones	MDR-RF6500
Processor	DP-RF6500

SPECIFICATIONS

Digital surround processor (DP-RF6500)

Decoder functions	Dolby Digital Dolby Pro Logic IIx DTS DTS ES
Virtual surround function	OFF VOICE (STEREO) GAME CINEMA
Compression function	OFF ON
Modulation System	MSK
Carrier wave frequency	2.408 GHz – 2.473 GHz
Transmission distance	Approx. 100 m (328 ft) of longest*
Frequency response	12 Hz – 22,000 Hz (digital input)
Distortion rate	1% or less (1 kHz)
Audio inputs	Optical digital input (rectangular-type) × 1 Analog input (pin jack left/right) × 1
Power requirements	DC 6 V (800 mA) (from the supplied AC power adaptor)
Power consumption (rated)	2.0 W

Dimensions	Approx. 120 mm × 120 mm × 263 mm (4 3/4 in × 4 3/4 in × 10 3/8 in) (w/h/d)
Mass	Approx. 450 g (15.9 oz)
Operating temperature	5 °C to 35 °C (41 °F to 95 °F)

* The transmission distance is a rough estimate, and may vary depending on the surrounding environment and installation location.

Wireless stereo headphones (MDR-RF6500)

Playback frequency range	12 Hz – 22,000 Hz (digital input)
Power requirements	Built-in Lithium-Ion rechargeable battery
Mass	Approx. 320 g (11.3 oz)
Operating temperature	5 °C to 35 °C (41 °F to 95 °F)

– Continued on next page –

CAUTION

Danger of explosion if battery is incorrectly replaced. Replace only with the same or equivalent type.

注意

如果电池更换不当会有爆炸危险
只能用同样类型或等效类型的电池来更换

DIGITAL SURROUND HEADPHONE SYSTEM

9-893-154-05

2017J33-1

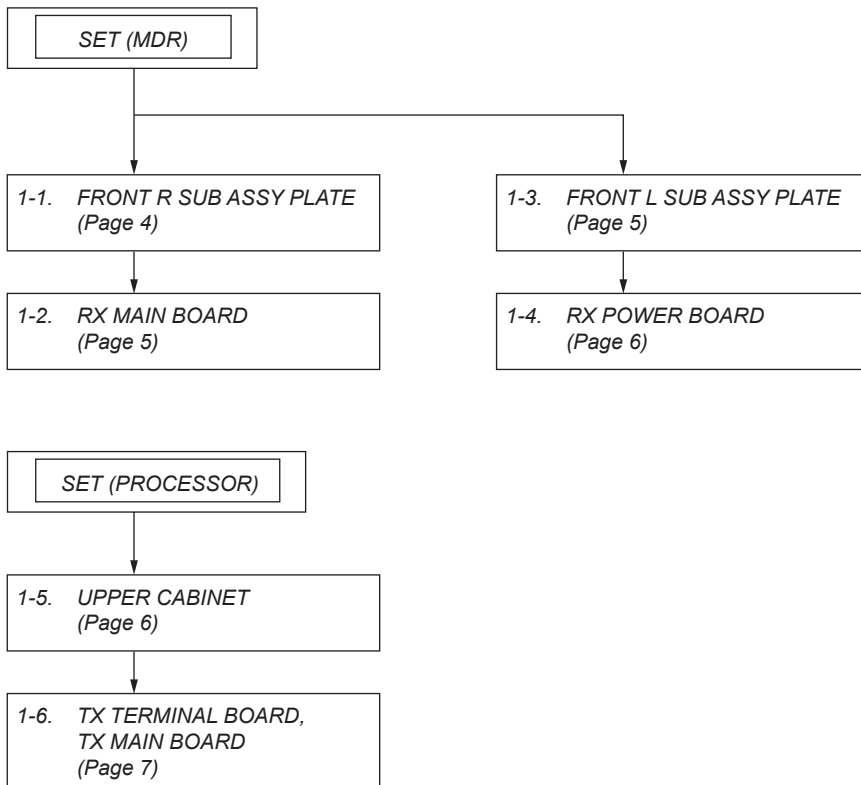
© 2017.10

Sony Video & Sound Products Inc.

SONY®

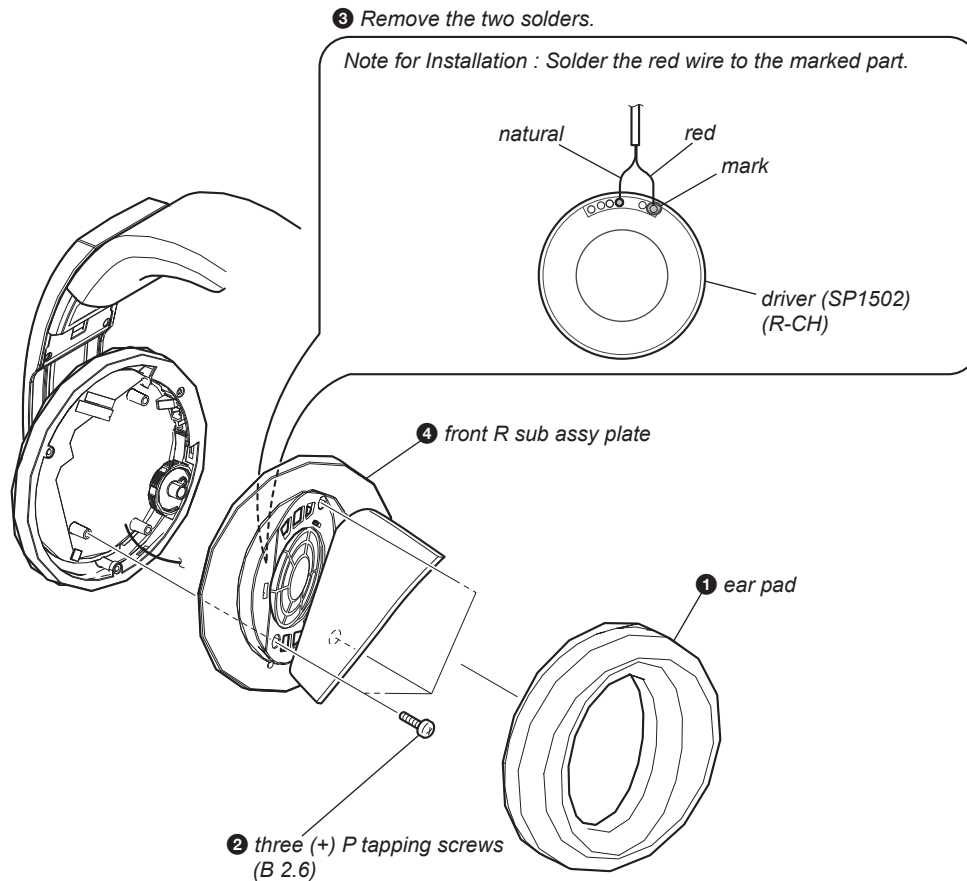
**SECTION 1
DISASSEMBLY**

- This set can be disassembled in the order shown below.



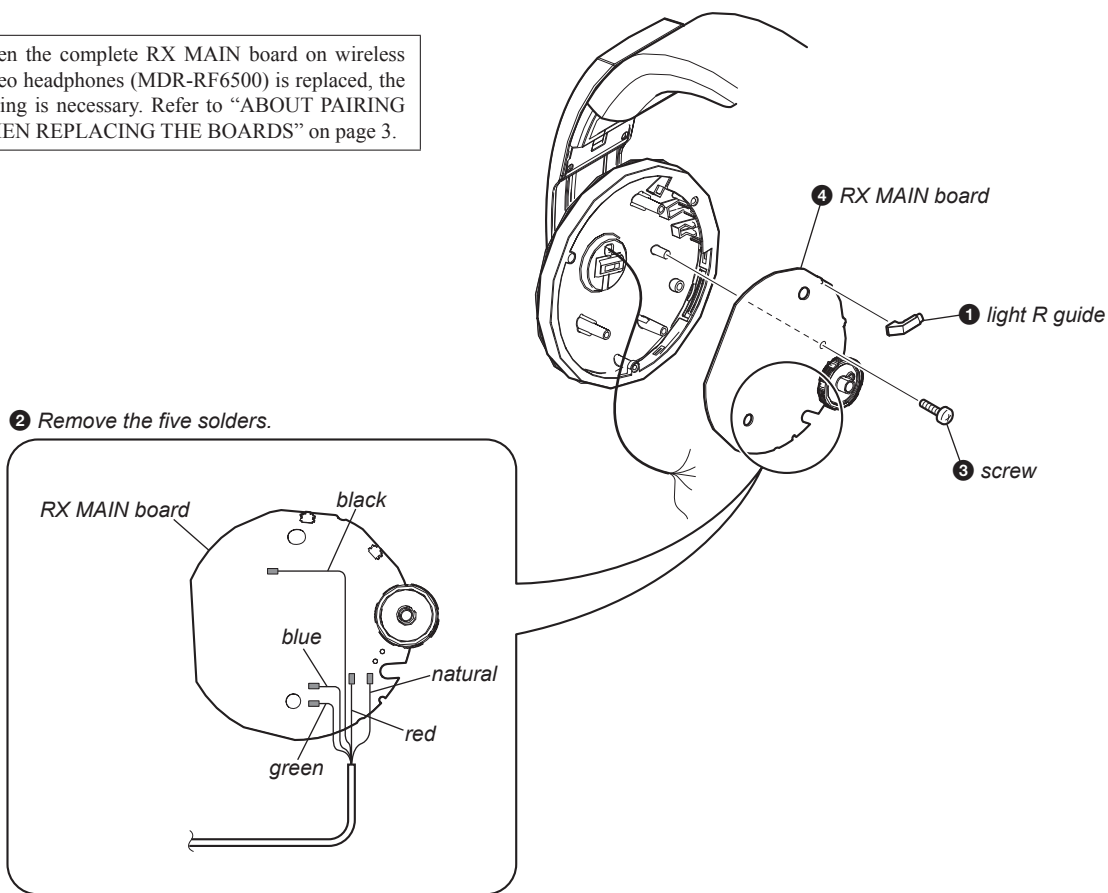
Note: Follow the disassembly procedure in the numerical order given.

1-1. FRONT R SUB ASSY PLATE

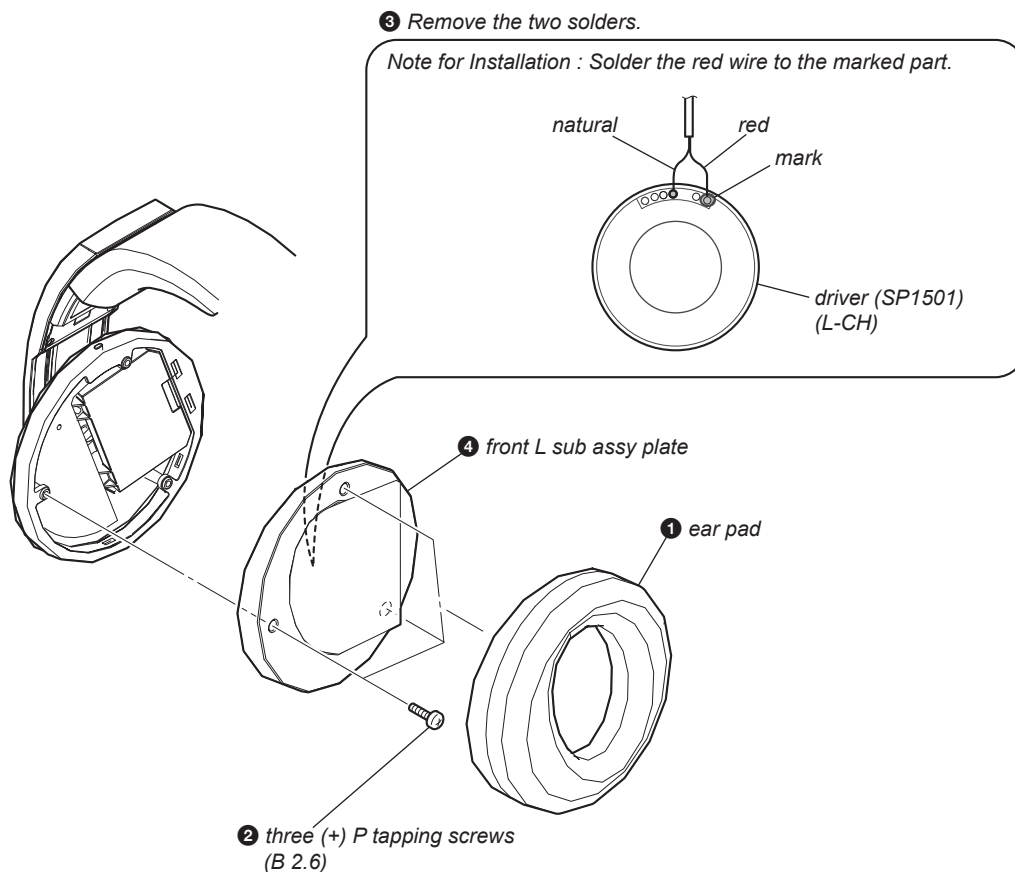


1-2. RX MAIN BOARD

Note: When the complete RX MAIN board on wireless stereo headphones (MDR-RF6500) is replaced, the pairing is necessary. Refer to “ABOUT PAIRING WHEN REPLACING THE BOARDS” on page 3.

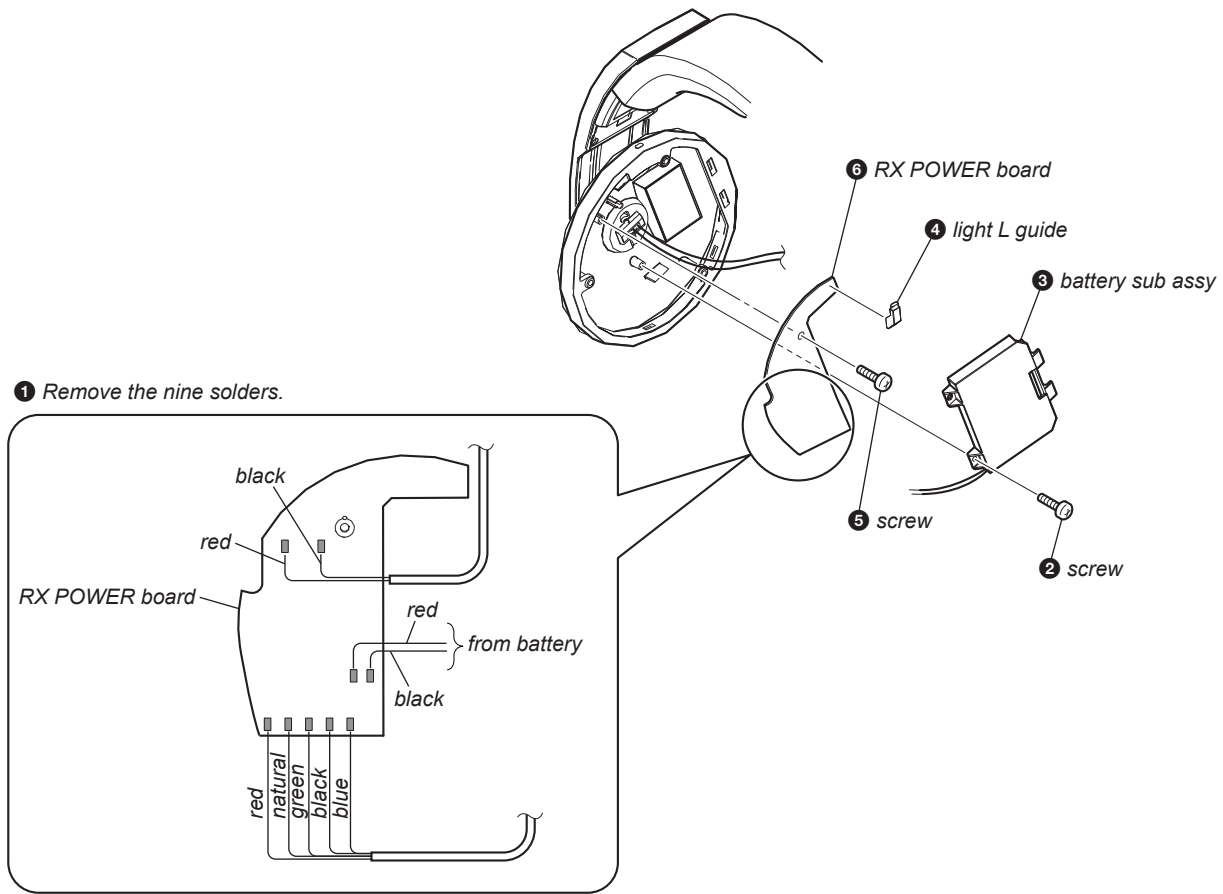


1-3. FRONT L SUB ASSY PLATE

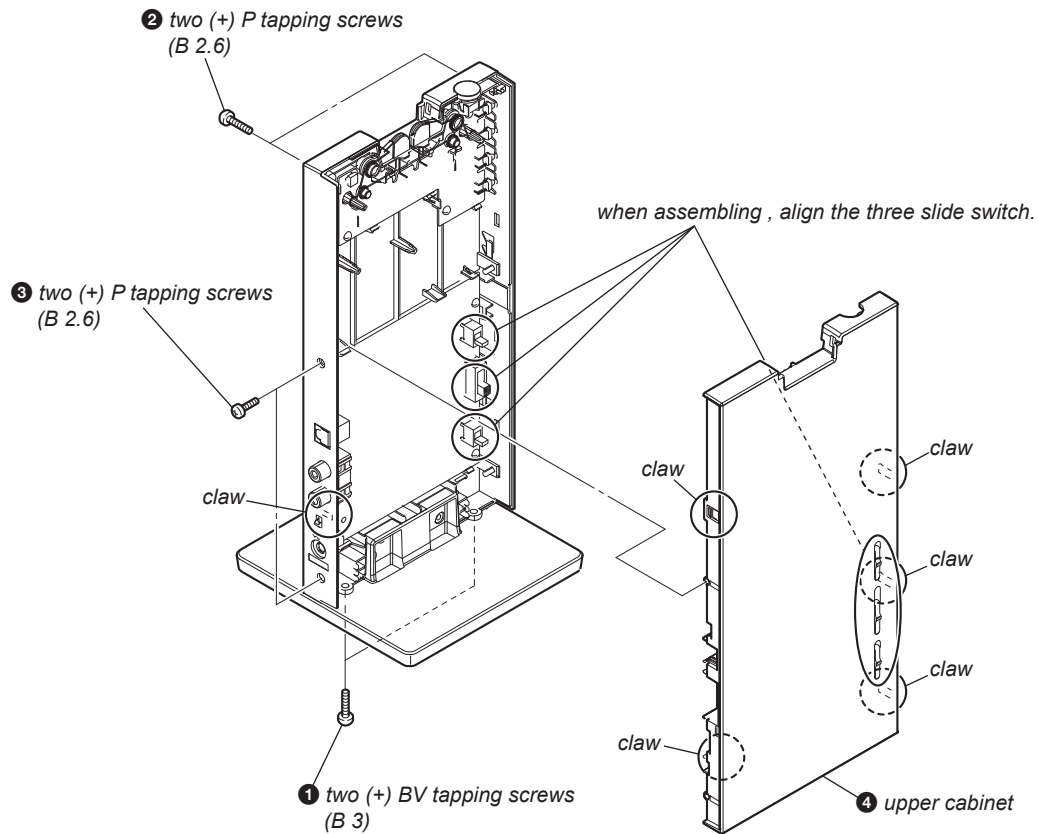


MDR-DS6500

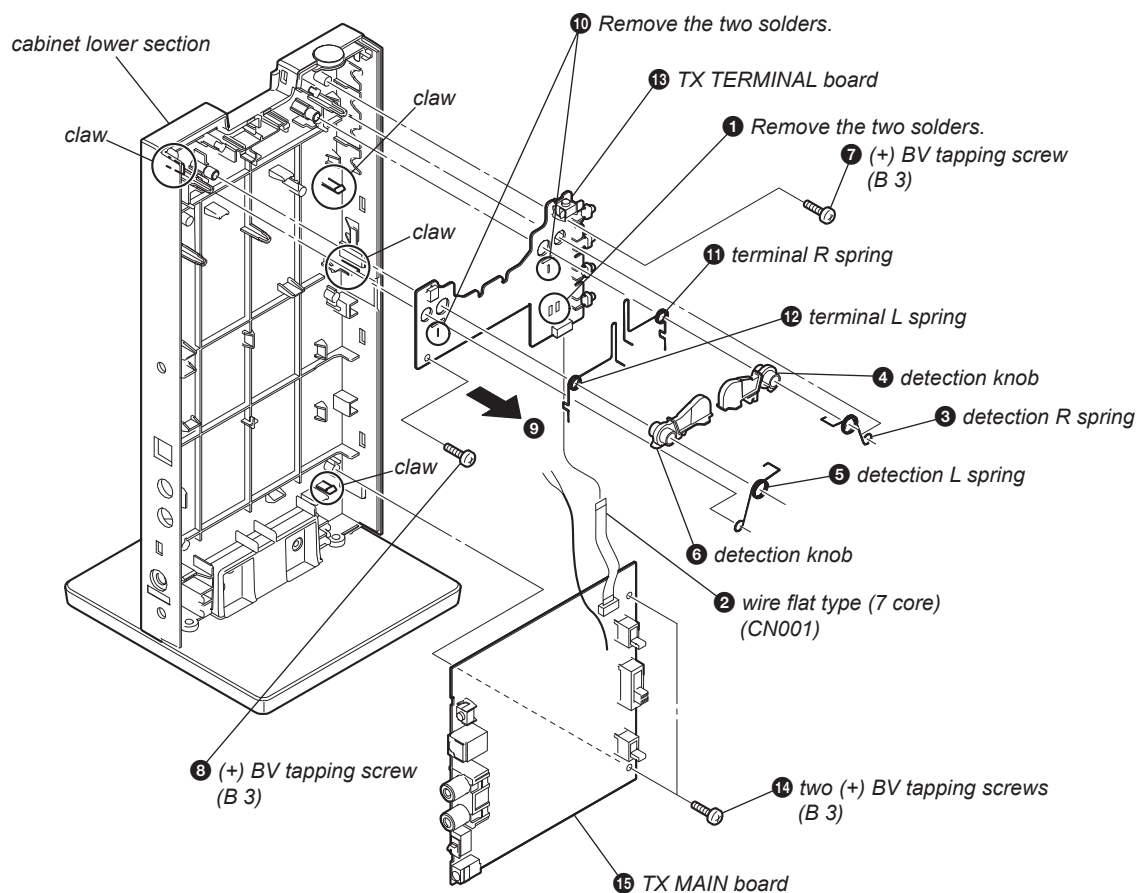
1-4. RX POWER BOARD



1-5. UPPER CABINET



1-6. TX TERMINAL BOARD, TX MAIN BOARD



Note: When the complete TX MAIN board on processor (DP-RF6500) is replaced, the pairing is necessary. Refer to "ABOUT PAIRING WHEN REPLACING THE BOARDS" on page 3.

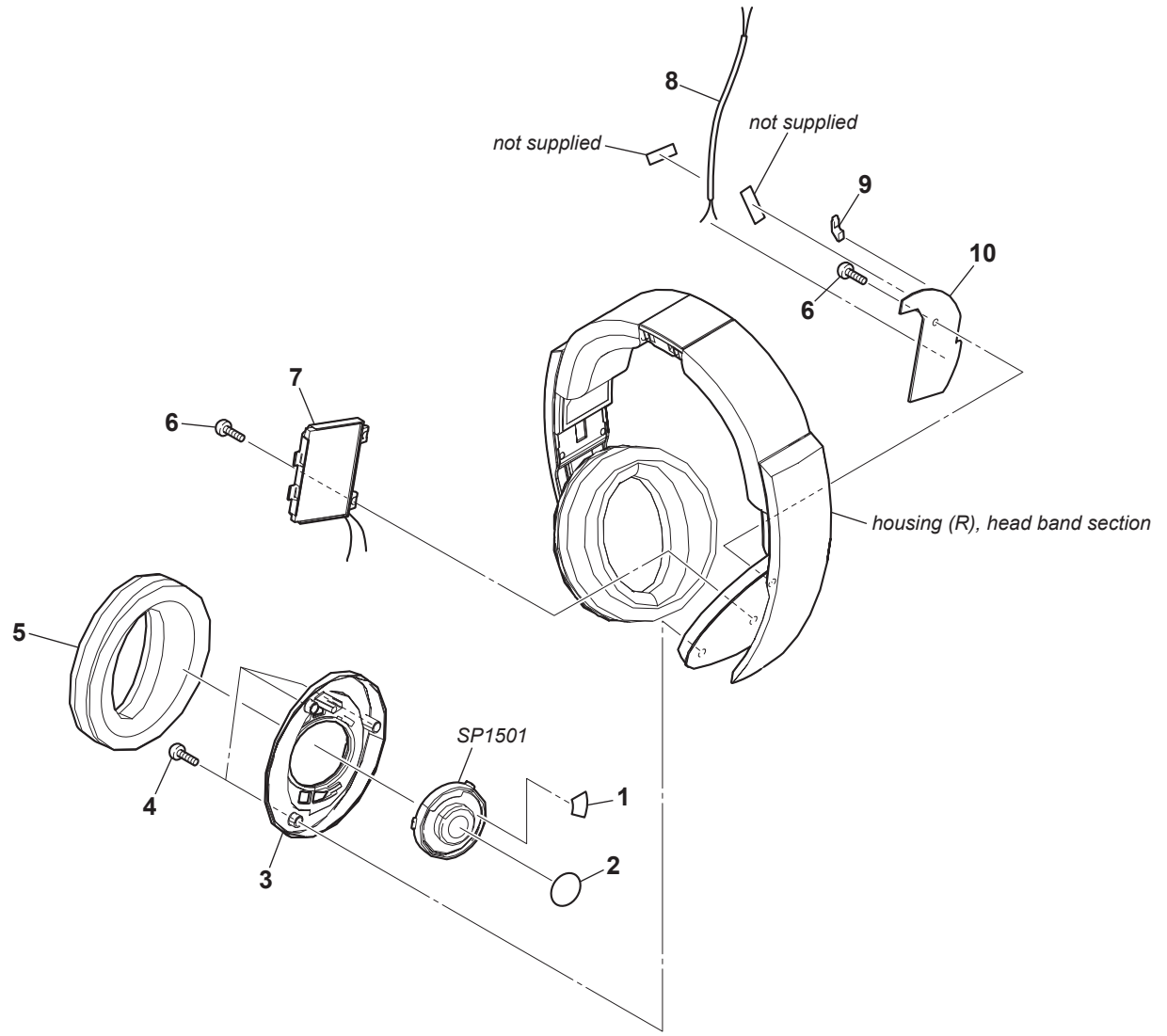
SECTION 3 EXPLODED VIEWS

Note:

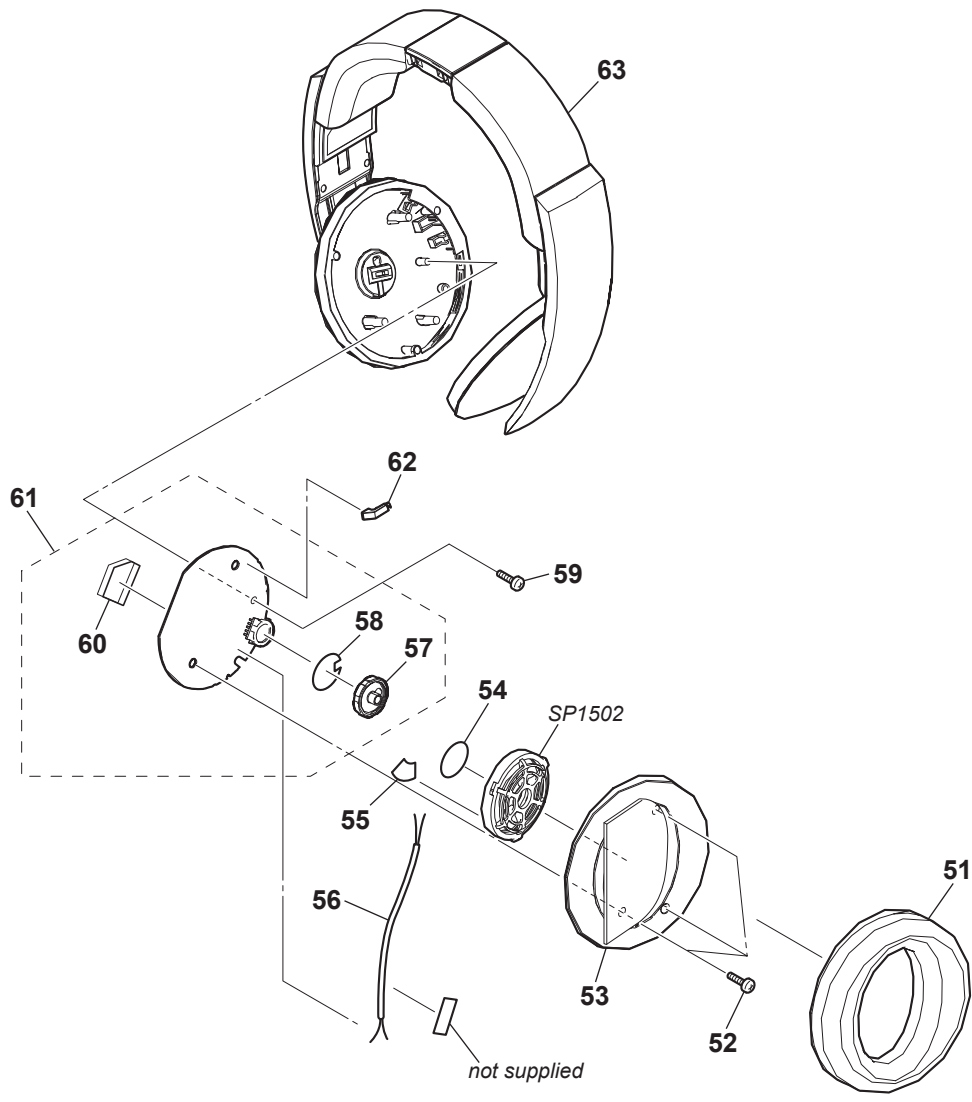
- Items marked "*" are not stocked since they are seldom required for routine service. Some delay should be anticipated when ordering these items.
- The mechanical parts with no reference number in the exploded views are not supplied.

- Color Indication of Appearance Parts Example:
KNOB, BALANCE (WHITE) . . . (RED)
↑ ↑
Parts Color Cabinet's Color

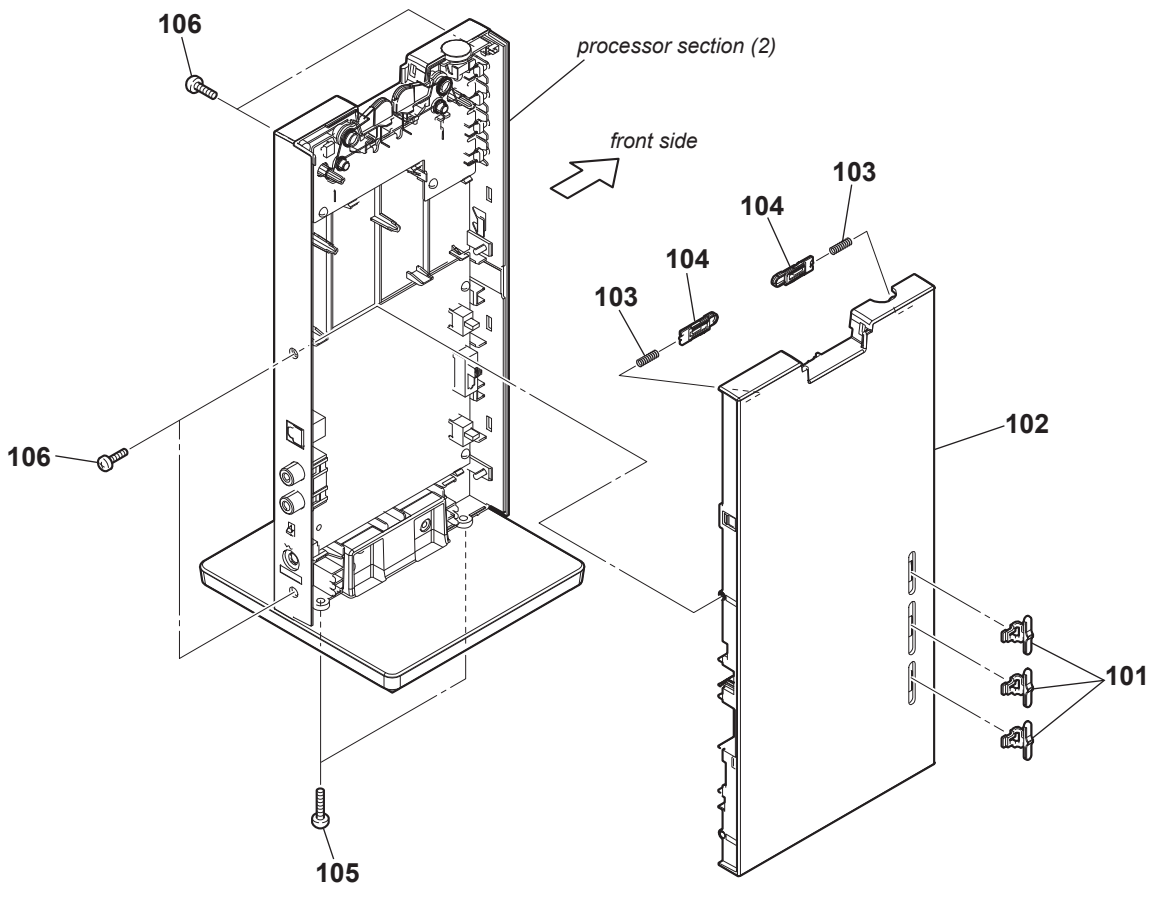
3-1. HOUSING (L) SECTION



3-2. HOUSING (R) SECTION, HEAD BAND SECTION



3-3. PROCESSOR SECTION (1)



3-4. PROCESSOR SECTION (2)

