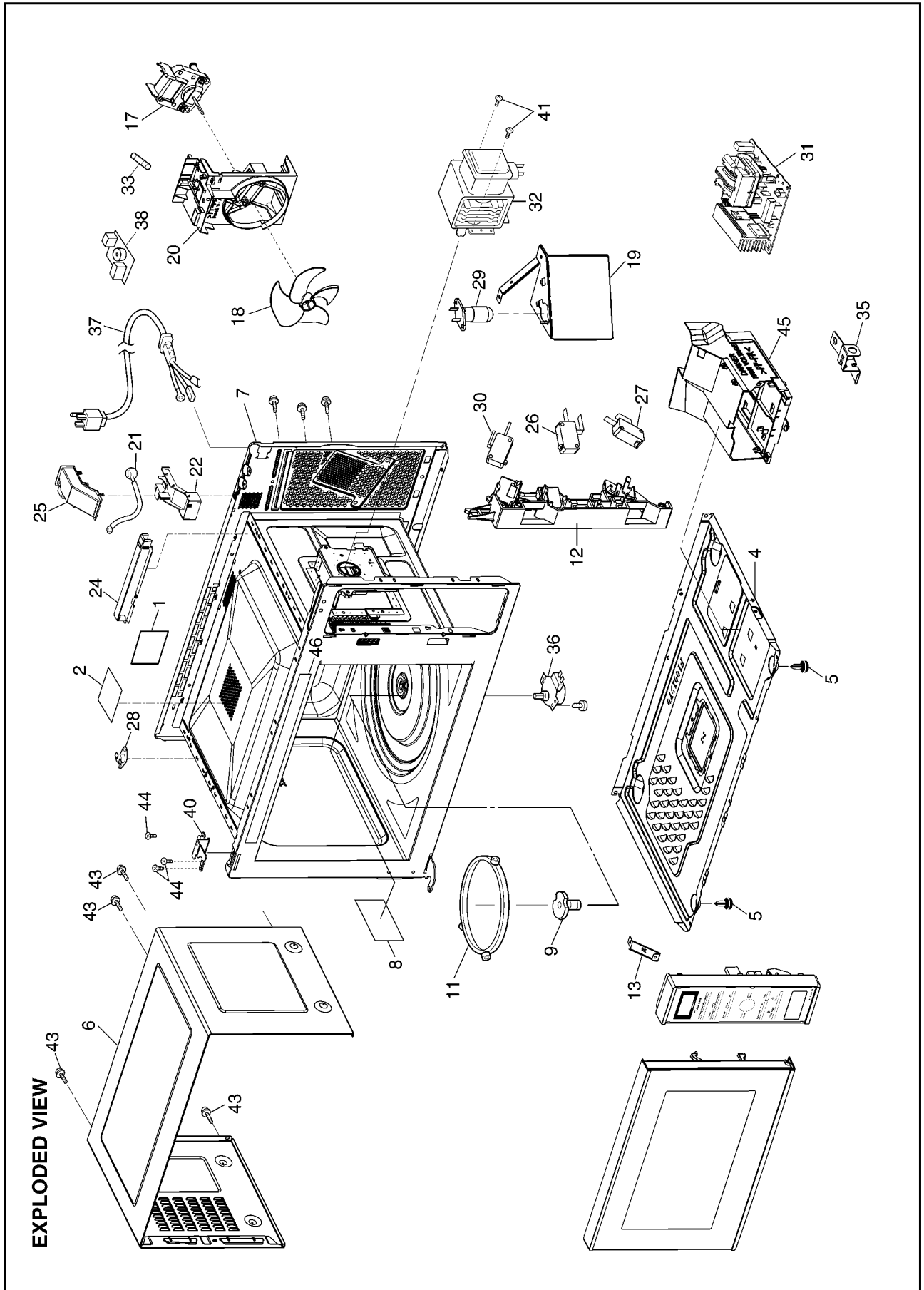


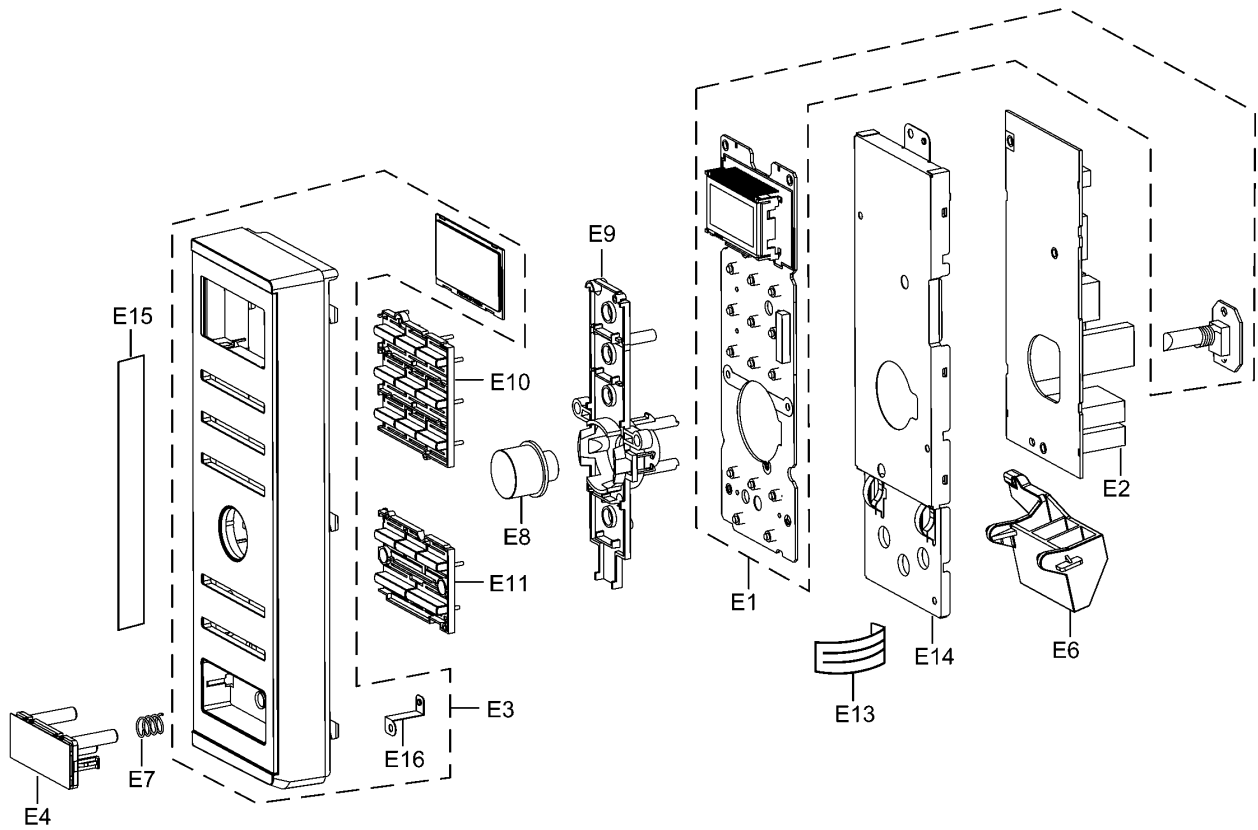
8 EXPLODED VIEW AND PARTS LIST

8.1. EXPLODED VIEW

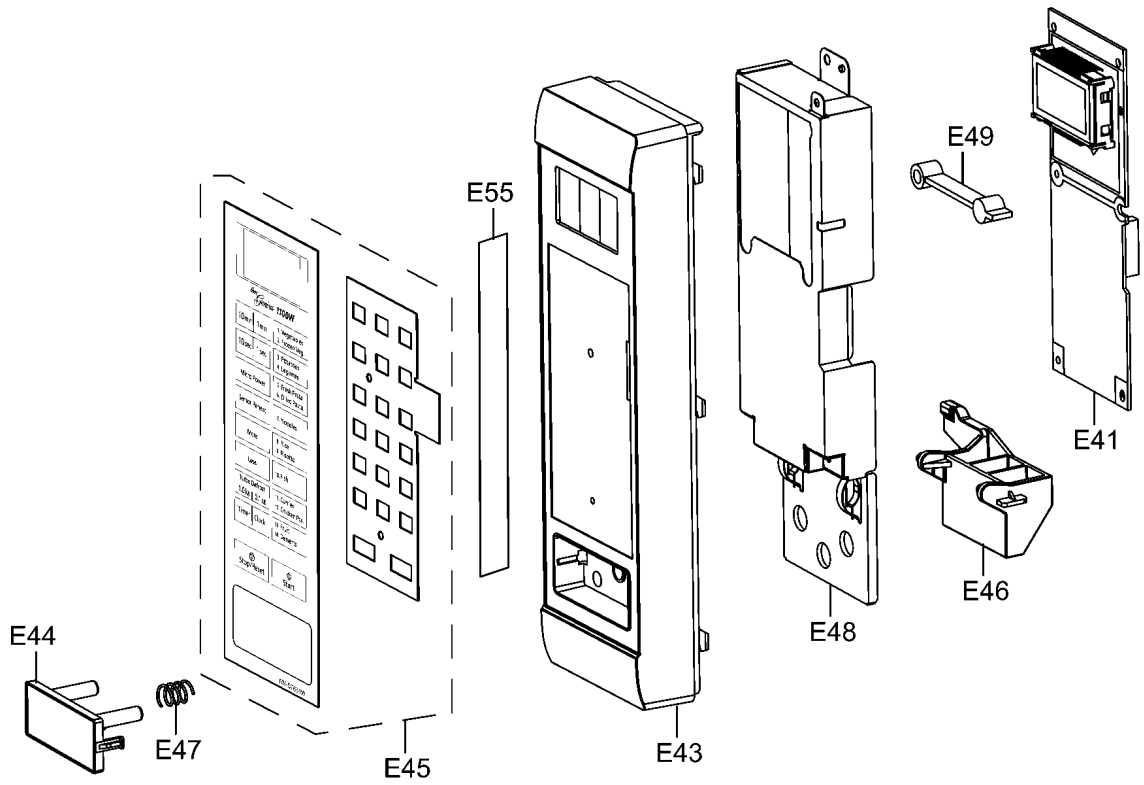


8.3. ESCUTCHEON BASE ASSEMBLY

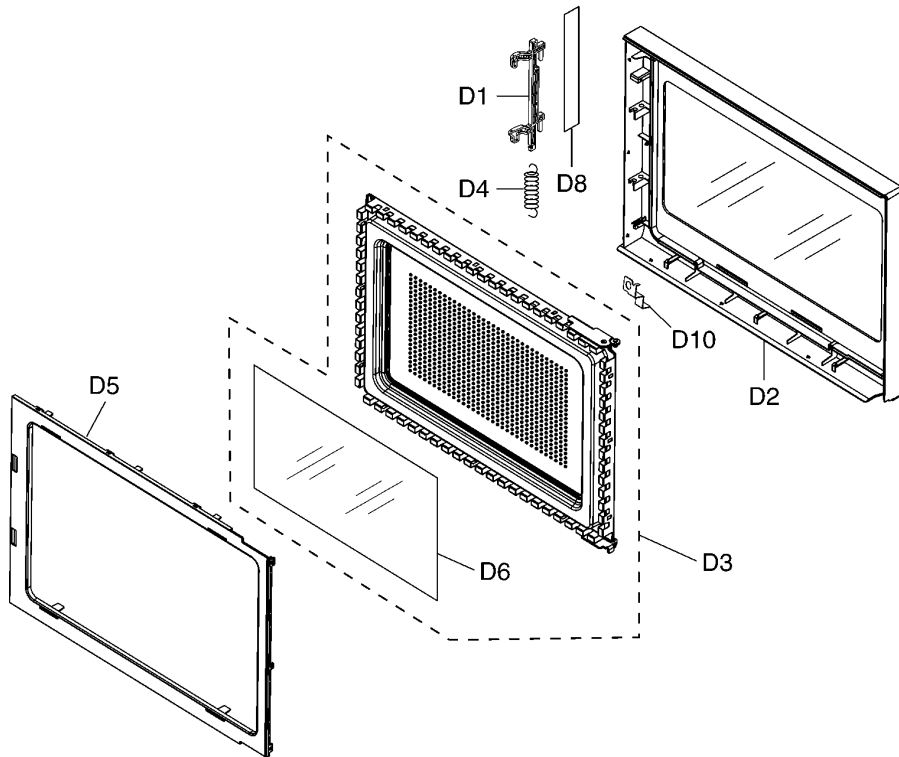
8.3.1. NN-SD691S



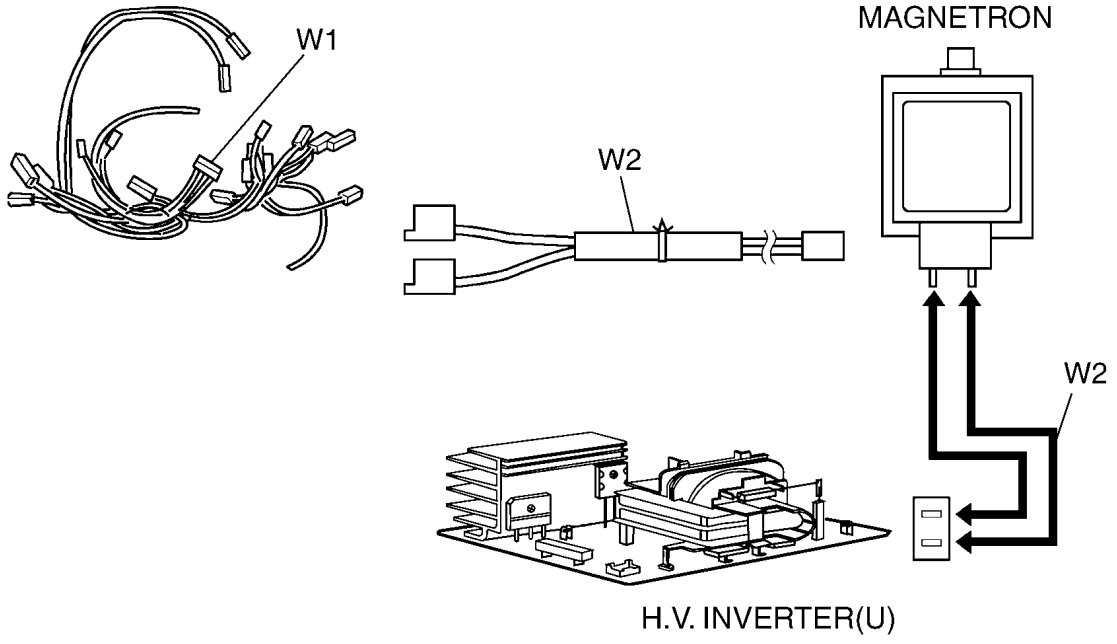
8.3.3. NN-ST651W, ST641W



8.4. DOOR ASSEMBLY



8.5. WIRING MATERIALS



8.6. PACKING AND ACCESSORIES

