

SCD-XA1200ES

SECTION 7 EXPLODED VIEWS

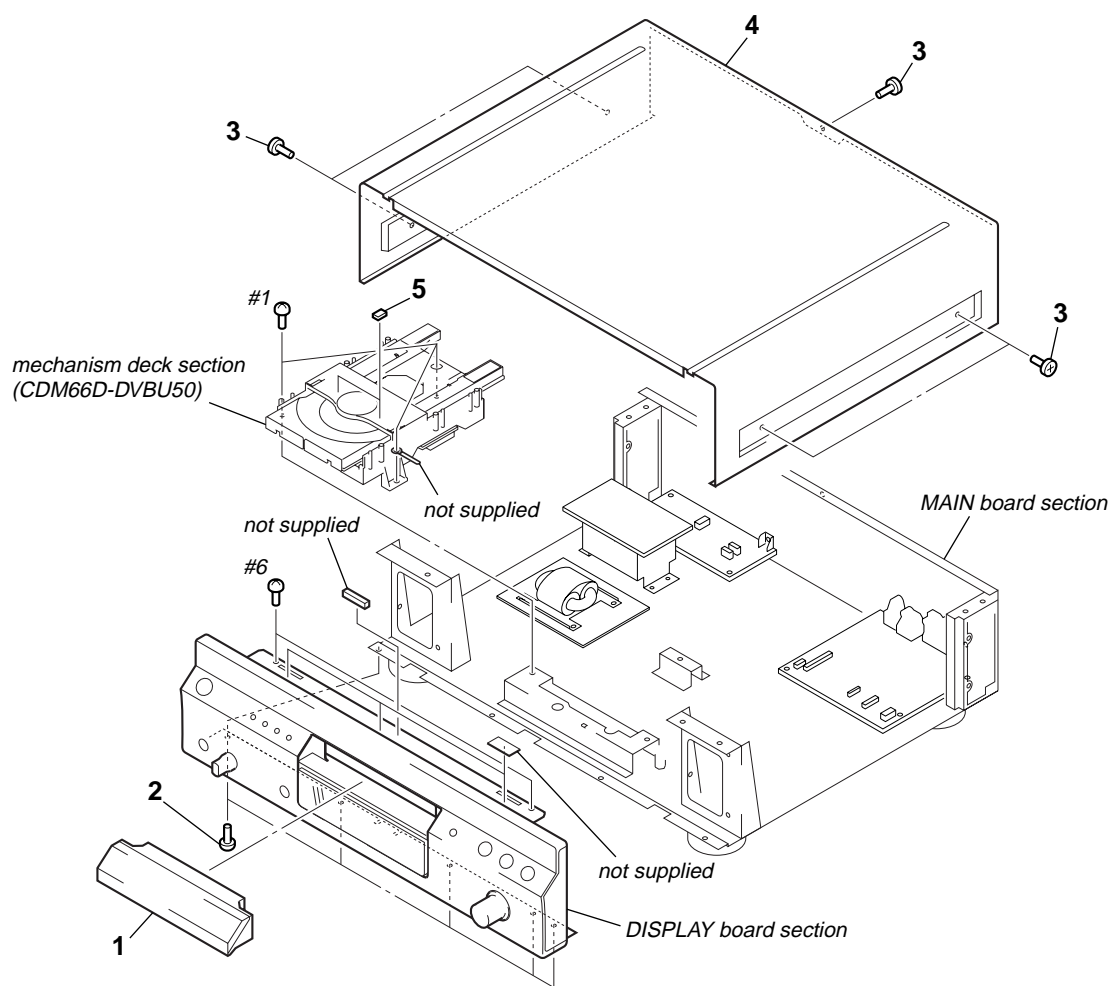
NOTE:

- -XX and -X mean standardized parts, so they may have some difference from the original one.
- Color Indication of Appearance Parts
Example:
KNOB, BALANCE (WHITE) . . . (RED)
 ↑ ↑
 Parts Color Cabinet's Color

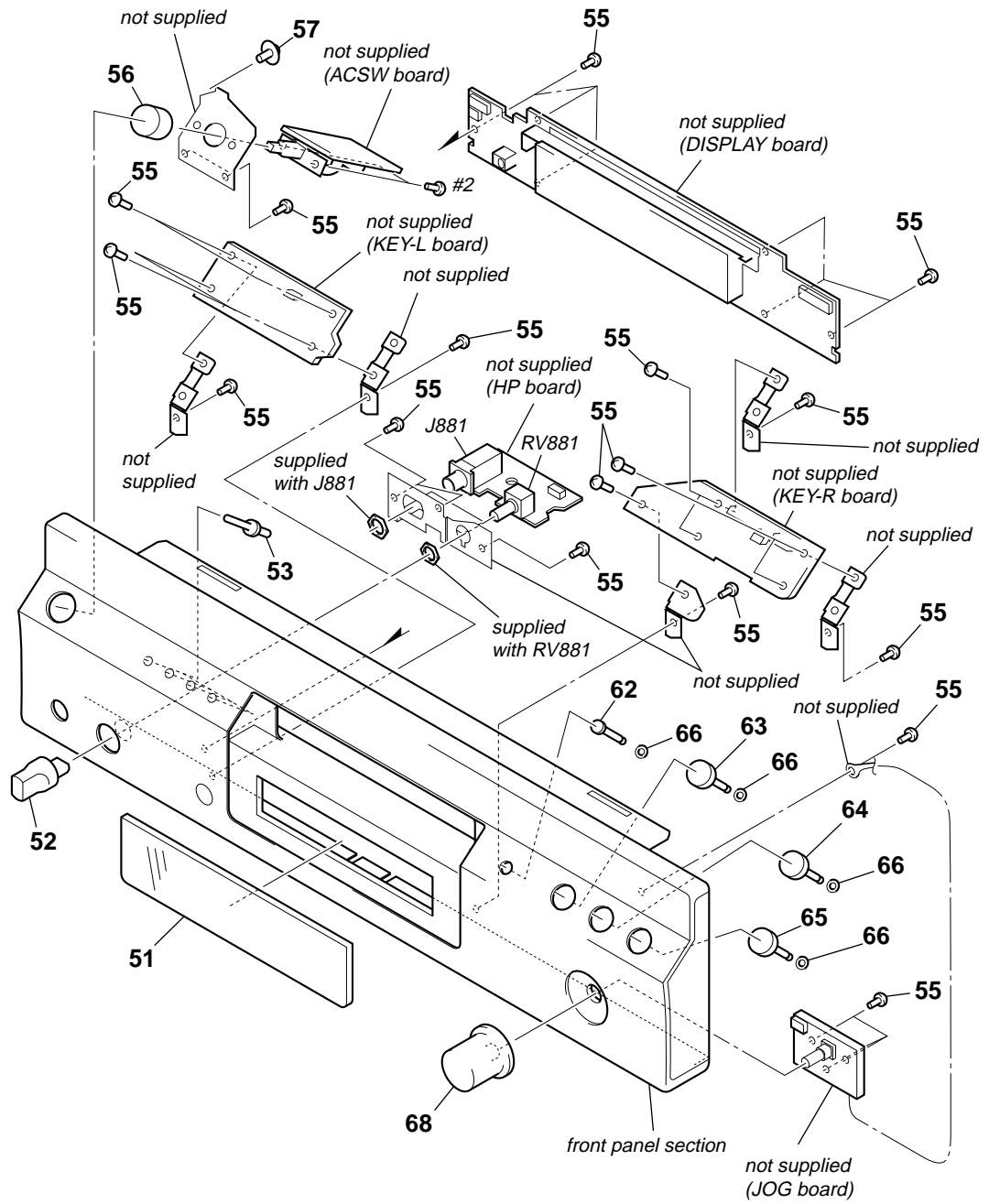
- Items marked "*" are not stocked since they are seldom required for routine service. Some delay should be anticipated when ordering these items.
- The mechanical parts with no reference number in the exploded views are not supplied.
- Accessories are given in the last of the electrical parts list.

The components identified by mark \triangle or dotted line with mark \triangle are critical for safety. Replace only with part number specified.

7-1. OVERALL SECTION

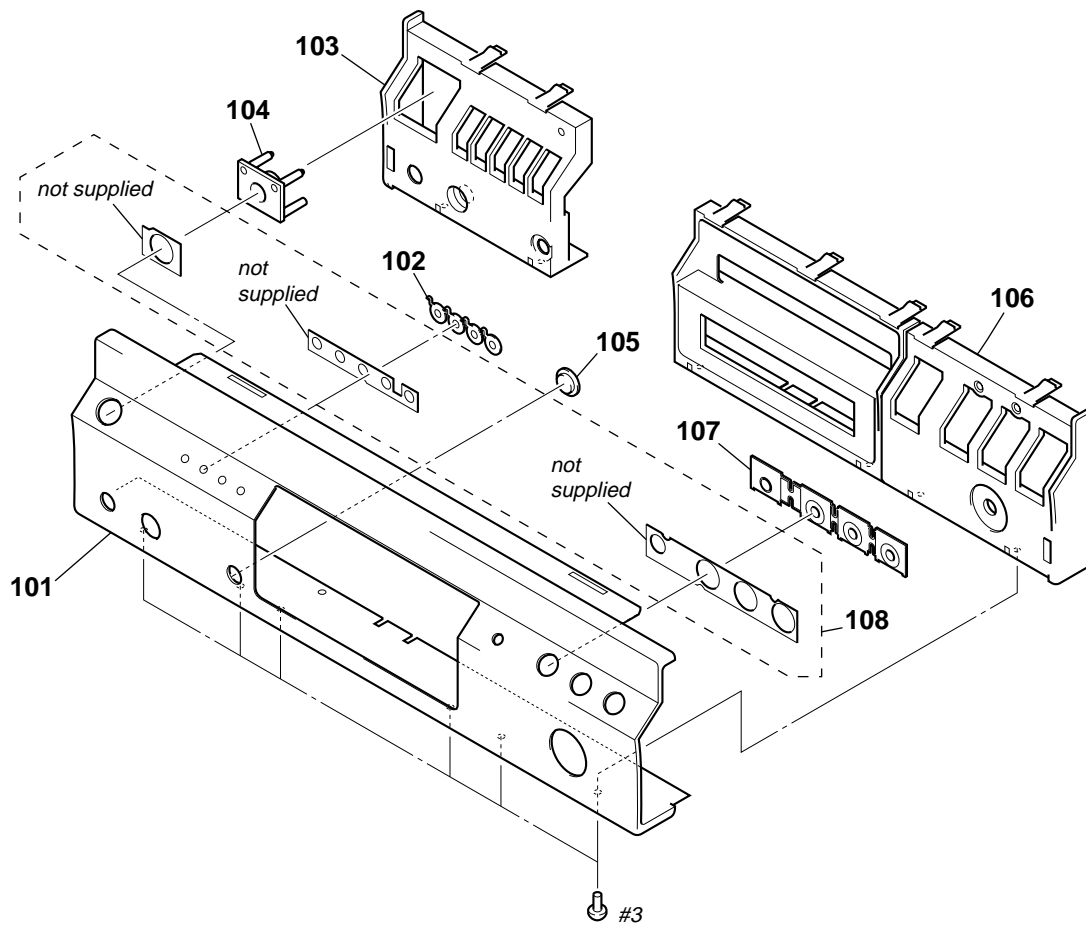


7-2. DISPLAY BOARD SECTION

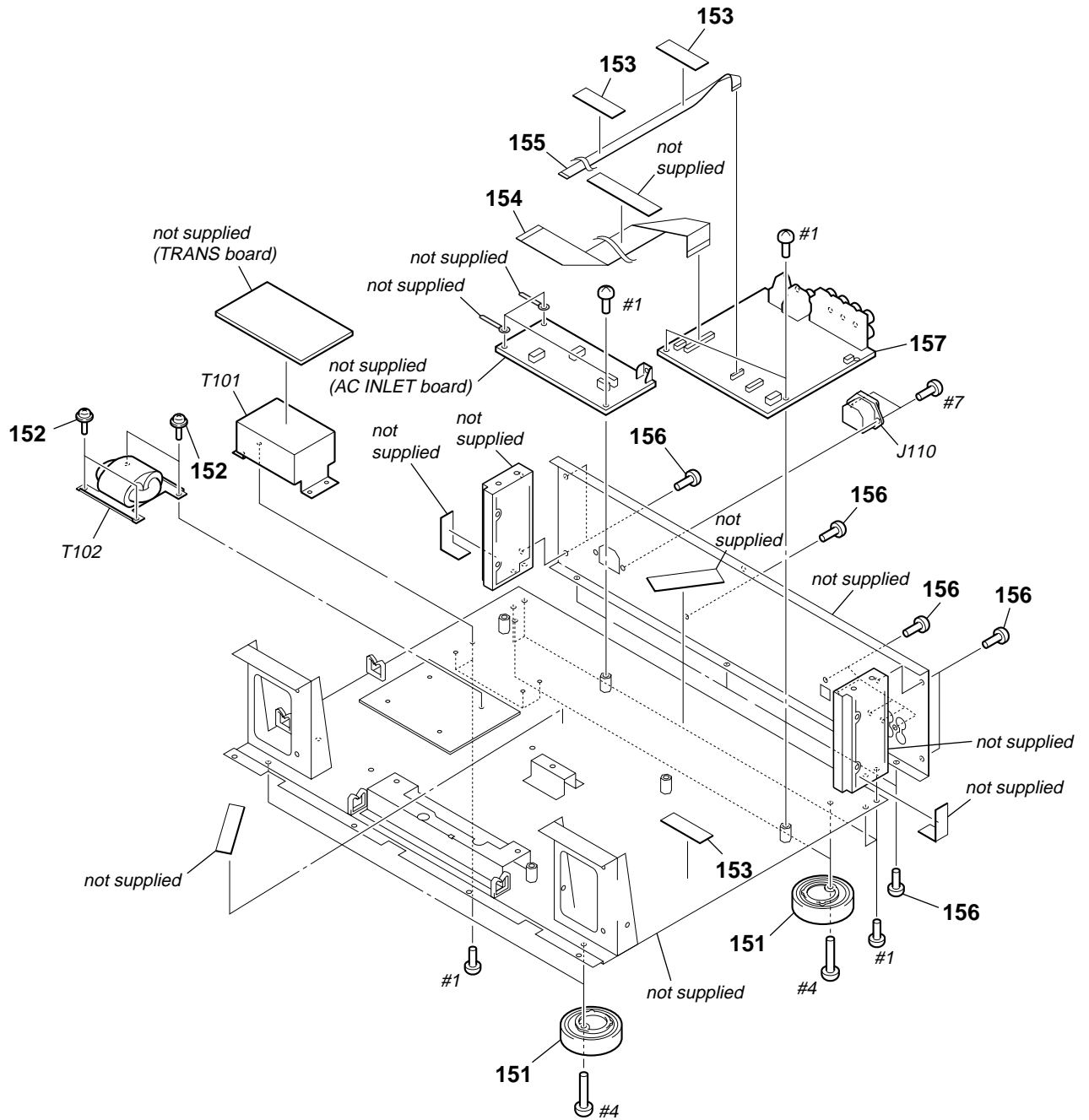


SCD-XA1200ES

7-3. FRONT PANEL SECTION



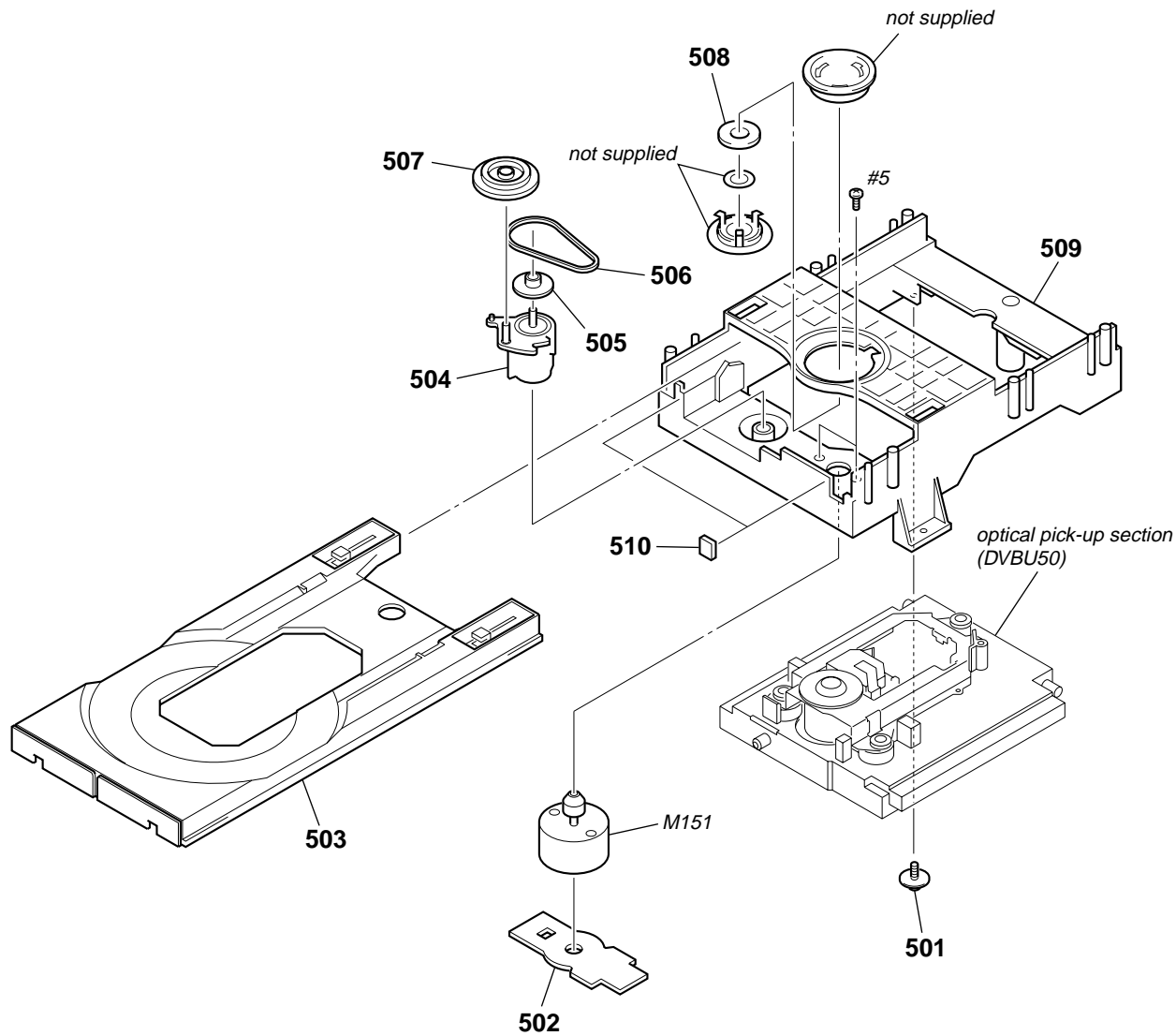
7-4. MAIN BOARD SECTION



Note: If Ref. No. 154 is replaced, install it after bending it in the same form as that before replacement.

SCD-XA1200ES

7-5. MECHANISM DECK SECTION (CDM66D-DVBU50)



7-6. OPTICAL PICK-UP SECTION
(DVBU50)

