

STR-DH720/DH720HP

SERVICE MANUAL

Ver. 1.2 2011.10

US Model
STR-DH720/DH720HP
Canadian Model
AEP Model
STR-DH720



This receiver incorporates Dolby* Digital and ProLogic Surround and the DTS** Digital Surround System.

* Manufactured under license from Dolby Laboratories. Dolby, Pro Logic, and the double-D symbol are trademarks of Dolby Laboratories.

** Manufactured under license under U.S. Patent #'s: 5,451,942; 5,956,674; 5,974,380; 5,978,762; 6,226,616; 6,487,535; 7,212,872; 7,333,929; 7,392,195; 7,272,567 & other U.S. and worldwide patents issued & pending. DTS and the Symbol are registered trademarks, & DTS HD, DTS-HD Master Audio, and the DTS logos are trademarks of DTS, Inc. Product includes software. © DTS, Inc. All Rights Reserved.

This receiver incorporates High-Definition Multimedia Interface (HDMI™) technology. HDMI, the HDMI logo and High-Definition Multimedia Interface are trademarks or registered trademarks of HDMI Licensing LLC in the United States and other countries.

“x.v.Color (x.v.Colour)” and “x.v.Color (x.v.Colour)” logo are trademarks of Sony Corporation.

“BRAVIA” is a trademark of Sony Corporation.

“PlayStation” is a registered trademark of Sony Computer Entertainment Inc.

The font type (Shin Go R) installed in this receiver is provided by MORISAWA & COMPANY LTD. These names are the trademarks of MORISAWA & COMPANY LTD., and the copyright of the font also belongs to MORISAWA & COMPANY LTD.

iPhone, iPod, iPod classic, iPod nano, and iPod touch are trademarks of Apple Inc., registered in the U.S. and other countries.

All other trademarks and registered trademarks are of their respective holders. In this manual, ™ and ® marks are not specified.

Made for

iPod iPhone

“Made for iPod” and “Made for iPhone” mean that an electronic accessory has been designed to connect specifically to iPod or iPhone, respectively, and has been certified by the developer to meet Apple performance standards.

Apple is not responsible for the operation of this device or its compliance with safety and regulatory standards. Please note that the use of this accessory with iPod or iPhone may affect wireless performance.

MPEG Layer-3 audio coding technology and patents licensed from Fraunhofer IIS and Thomson.

“WALKMAN” is a registered trademark of Sony Corporation.

“MICROVAULT” is a trademark of Sony Corporation.

Windows Media is either a registered trademark or trademark of Microsoft Corporation in the United States and/or other countries.

SPECIFICATIONS

AUDIO POWER SPECIFICATIONS

POWER OUTPUT AND TOTAL HARMONIC

DISTORTION:

(US model only)

With 8 ohm loads, both channels driven, from 20 – 20,000 Hz; rated 95 watts per channel minimum RMS power, with no more than 0.09% total harmonic distortion from 250 milliwatts to rated output.

Amplifier section

US model¹⁾

Minimum RMS Output Power
(8 ohms, 20 Hz – 20 kHz, THD 0.09%)
95 W + 95 W

Stereo Mode Output Power
(8 ohms, 1 kHz, THD 1%)
105 W + 105 W

Surround Mode Output Power²⁾
(8 ohms, 1 kHz, THD 10%)
140 W per channel

CND model¹⁾
Minimum RMS Output Power
(8 ohms, 20 Hz – 20 kHz, THD 0.09%)
85 W + 85 W

Stereo Mode Output Power
(8 ohms, 1 kHz, THD 1%)
105 W + 105 W

Surround Mode Output Power²⁾
(8 ohms, 1 kHz, THD 10%)
140 W per channel

ECE model¹⁾
Minimum RMS Output Power
(8 ohms, 20 Hz – 20 kHz, THD 0.09%)
85 W + 85 W

Stereo Mode Output Power
(8 ohms, 1 kHz, THD 1%)
100 W + 100 W

Surround Mode Output Power²⁾
(8 ohms, 1 kHz, THD 10%)
140 W per channel

¹⁾ Measured under the following conditions:

Area	Power requirements
US, CND	120 V AC, 60 Hz
ECE	230 V AC, 50 Hz

²⁾ Reference power output for front, center, surround, surround back and front high speakers. Depending on the sound field settings and the source, there may be no sound output.

Frequency response

Analog
10 Hz – 70 kHz,
+0.5/-2 dB (with
sound field and
equalizer bypassed)

Input

Analog
Sensitivity: 500 mV/
50 kohms
S/N³⁾: 96 dB
(A, 500 mV⁴⁾)

Digital (Coaxial)

Impedance: 75 ohms
S/N: 100 dB
(A, 20 kHz LPF)

Digital (Optical)

S/N: 100 dB
(A, 20 kHz LPF)

Output (Analog)

AUDIO OUT
Voltage: 500 mV/
1 kohms

SUBWOOFER

Voltage: 2 V/1 kohm

Equalizer

Gain levels
±6 dB, 1 dB step

³⁾ INPUT SHORT (with sound field and equalizer bypassed).

⁴⁾ Weighted network, input level.

– Continued on next page –

MULTI CHANNEL AV RECEIVER

SONY®

9-890-560-03

2011J80-1

© 2011.10

Sony Corporation

Published by Sony EMCS (Malaysia) PG Tec

SECTION 6 EXPLODED VIEWS

Note:

- -XX and -X mean standardized parts, so they may have some difference from the original one.
- Items marked "*" are not stocked since they are seldom required for routine service.
Some delay should be anticipated when ordering these items.
- Abbreviation
CND : Canadian model
ECE : Continental European, East
European and Russian models

- The mechanical parts with no reference number in the exploded views are not supplied.
- Color Indication of Appearance Parts Example:
KNOB, BALANCE (WHITE) . . . (RED)

↑ Parts Color ↑ Cabinet's Color
- Accessories are given in the last of the electrical parts list.

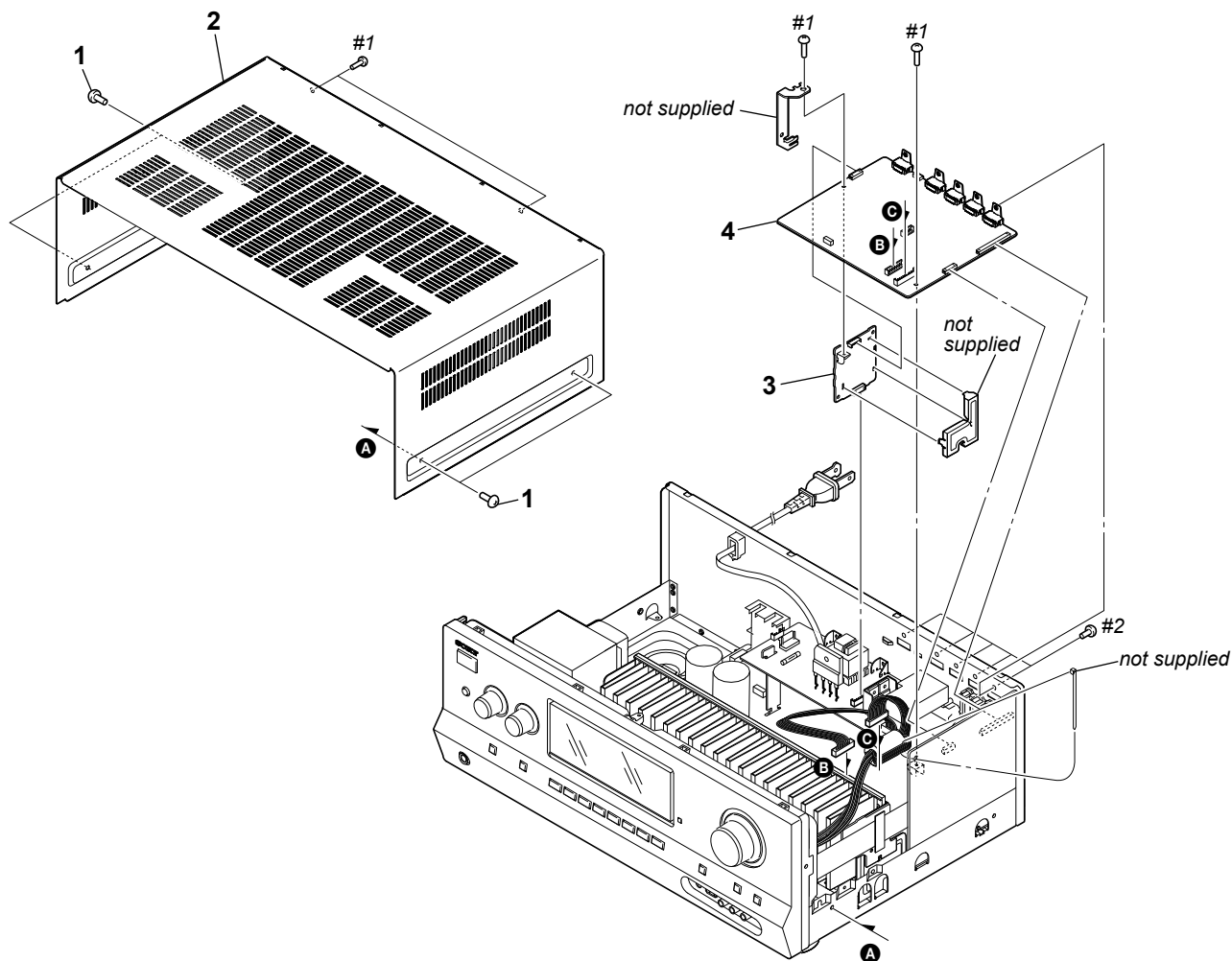
The components identified by mark \triangle or dotted line with mark \triangle are critical for safety.
Replace only with part number specified.

Les composants identifiés par une marque \triangle sont critiques pour la sécurité.
Ne les remplacer que par une pièce portant le numéro spécifié.

The components identified by mark \triangle contain confidential information.
Strictly follow the instructions whenever the components are repaired and/or replaced.

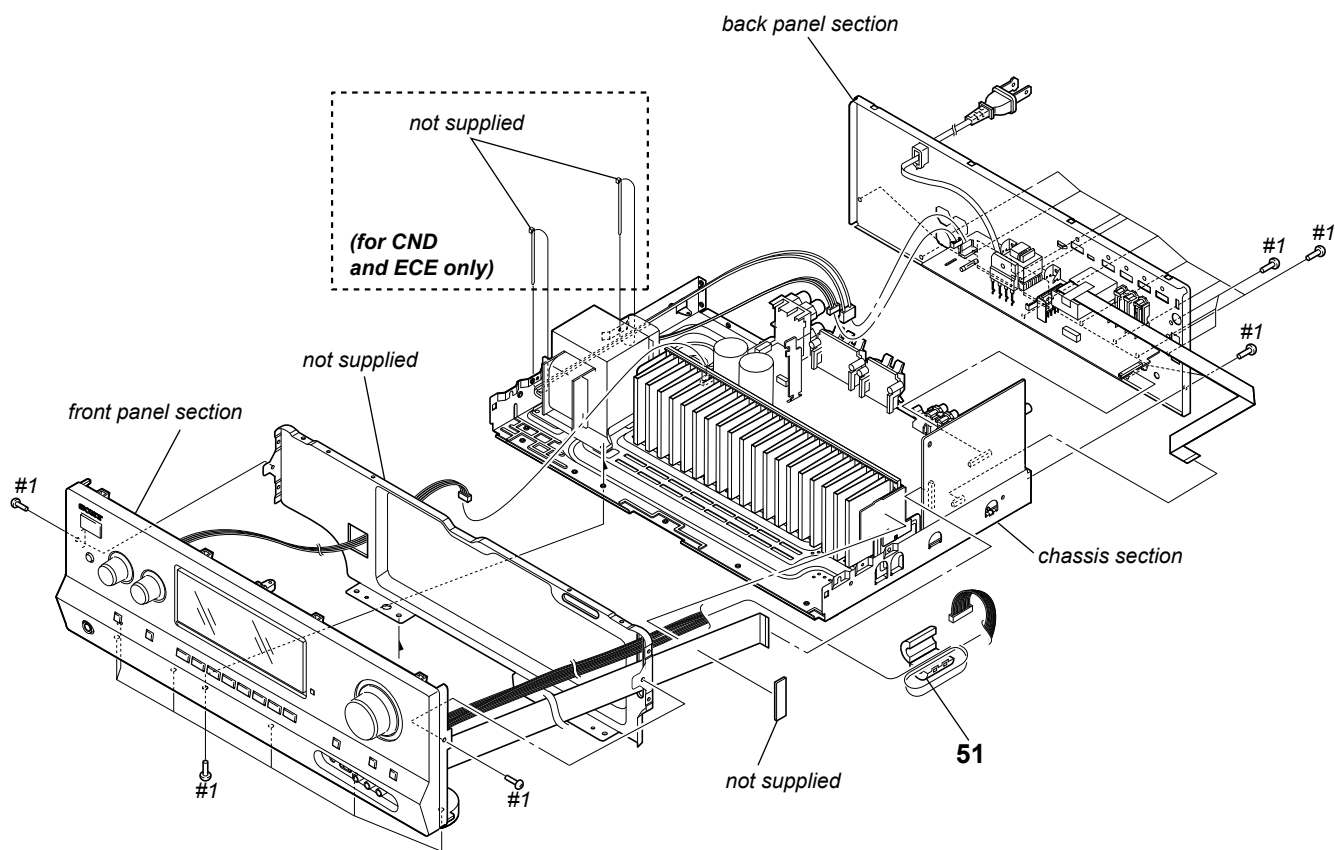
Les composants identifiés par la marque \triangle contiennent des informations confidentielles.
Suivre scrupuleusement les instructions chaque fois qu'un composant est remplacé et / ou réparé.

6-1. CASE SECTION



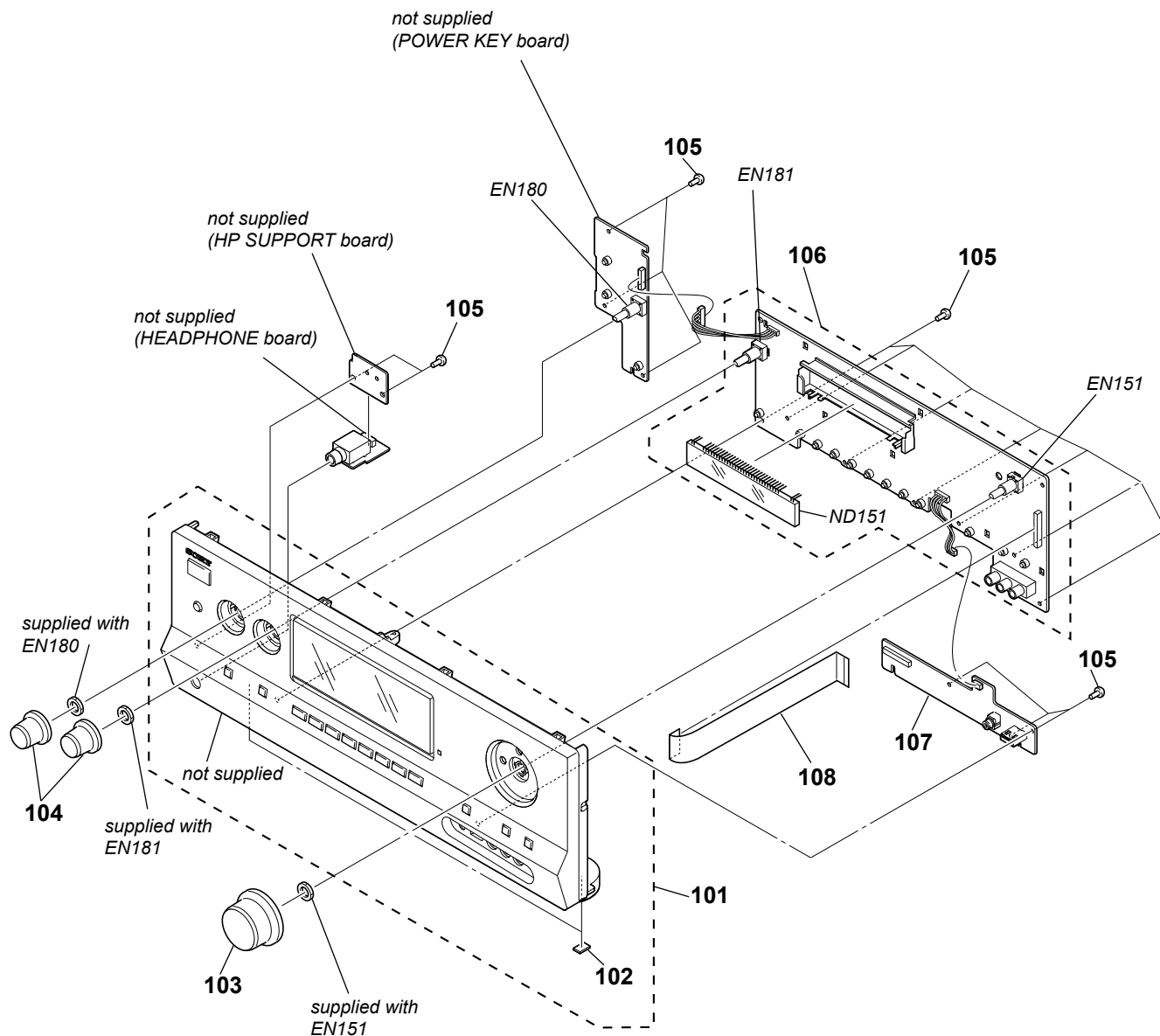
Ref. No.	Part No.	Description	Remark	Ref. No.	Part No.	Description	Remark
1				\triangle 4			
2				#1			
3				#2			
\triangle 3							
\triangle 4							

6-2. DCDC BOARD



Ref. No.	Part No.	Description	Remark
51			
#1			

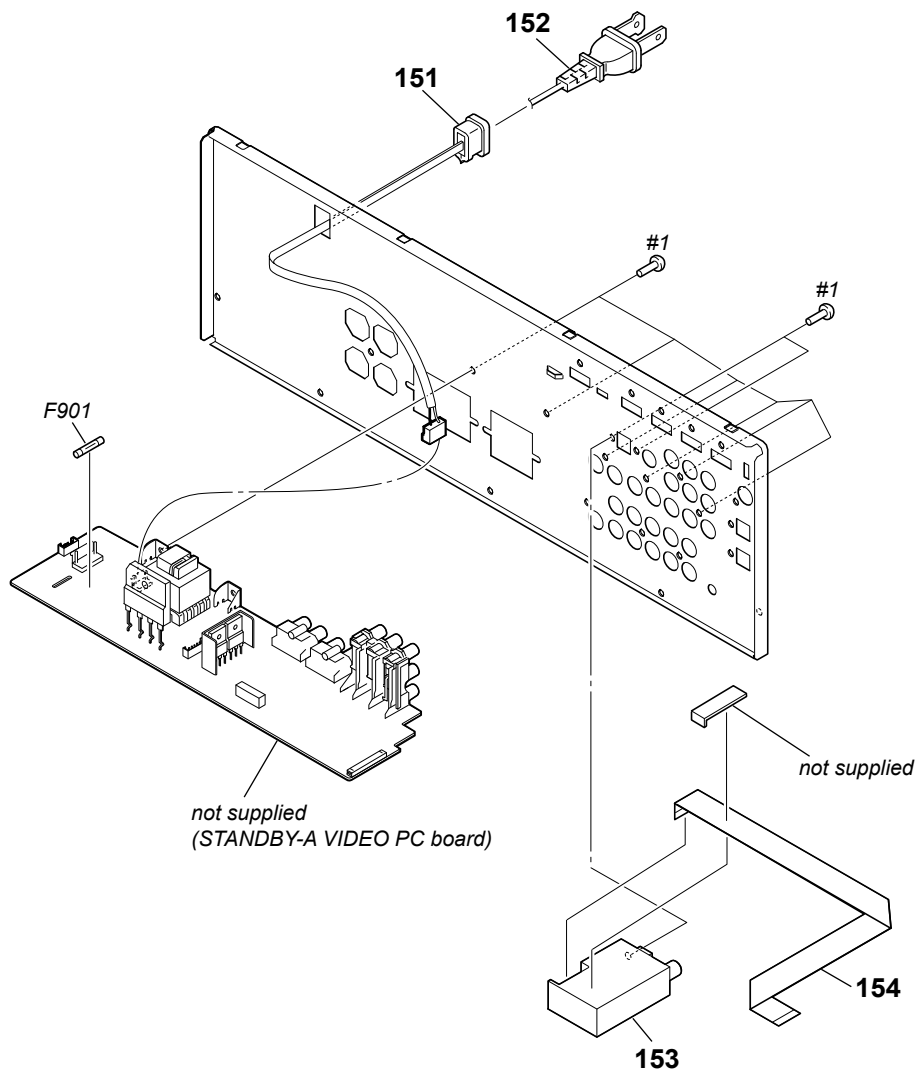
6-3. FRONT PANEL SECTION



Note: If wire (flat type) is replaced, install it after bending it in the same form as that before replacement.

Ref. No.	Part No.	Description	Remark	Ref. No.	Part No.	Description	Remark
101				107			
101				108			
101							
102				EN151			
103							
				EN180			
104				EN181			
105				ND151			
106							

6-4. BACK PANEL SECTION



Note: If wire (flat type) is replaced, install it after bending it in the same form as that before replacement.

Ref. No.	Part No.	Description	Remark	Ref. No.	Part No.	Description	Remark
151	4-966-267-12	BUSHING (FBS001), CORD		154	1-827-731-51	WIRE (FLAT TYPE) (11 CORE) (ECE)	
△ 152	1-777-071-83	CORD, POWER (ECE)		154	1-828-957-51	WIRE (FLAT TYPE) (9 CORE) (US, CND)	
△ 152	1-837-308-11	CORD, POWER-SUPPLY (US, CND)		△ F901	1-532-465-33	FUSE, T3.15AL 250V (ECE)	
153	1-693-737-21	TUNER (FM/AM) (ECE)		△ F901	1-533-311-12	FUSE, GLASS (DIA.5) 8A 125V (US, CND)	
153	1-693-779-11	TUNER (FM/AM) (US, CND)		#1	7-685-646-71	SCREW +BVTP 3X8 TYPE2 IT-3	

