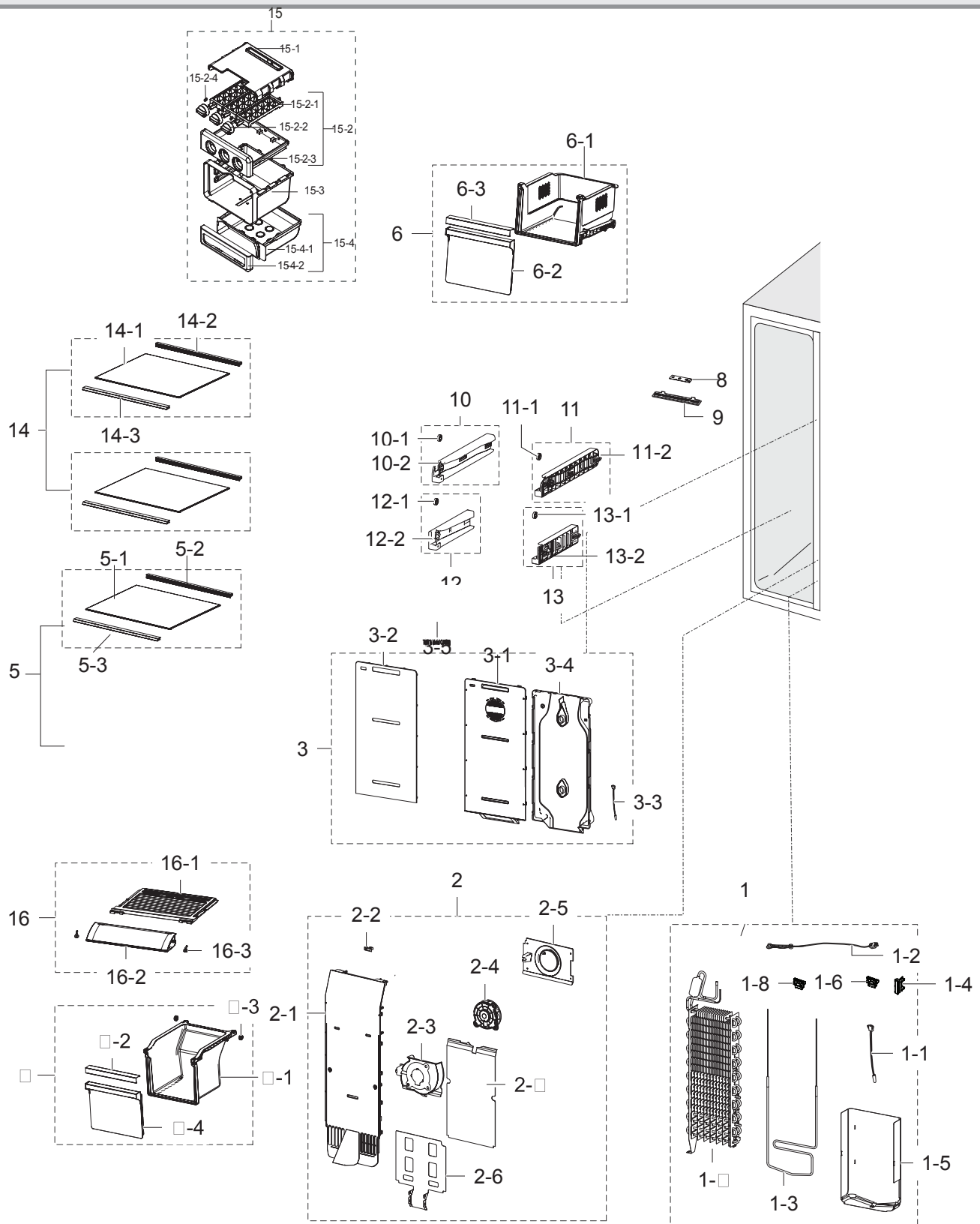


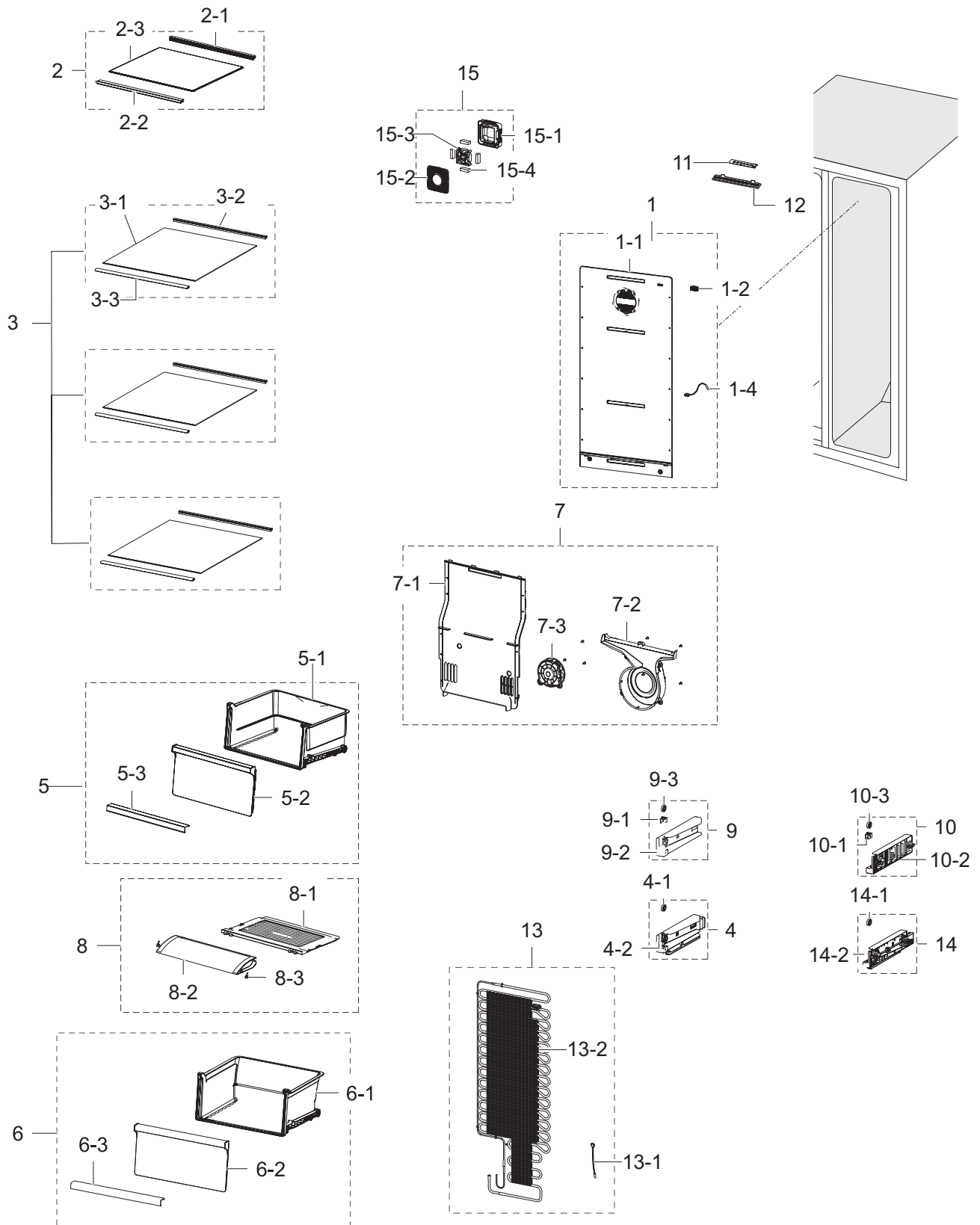
EXPLODED VIEW PART LIST

1-1 Freezer



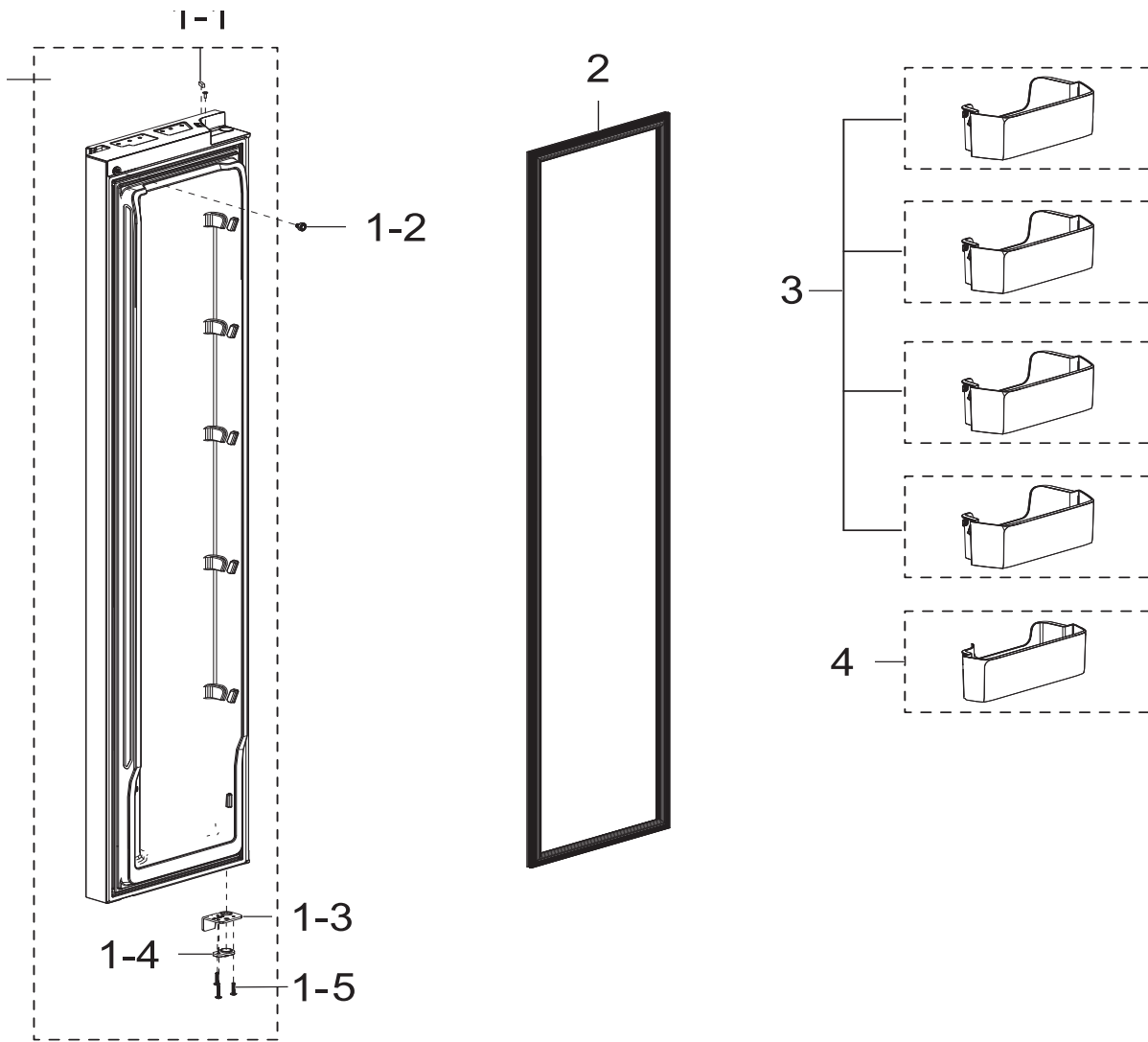
EXPLODED VIEW PART LIST

1-2 Fridge



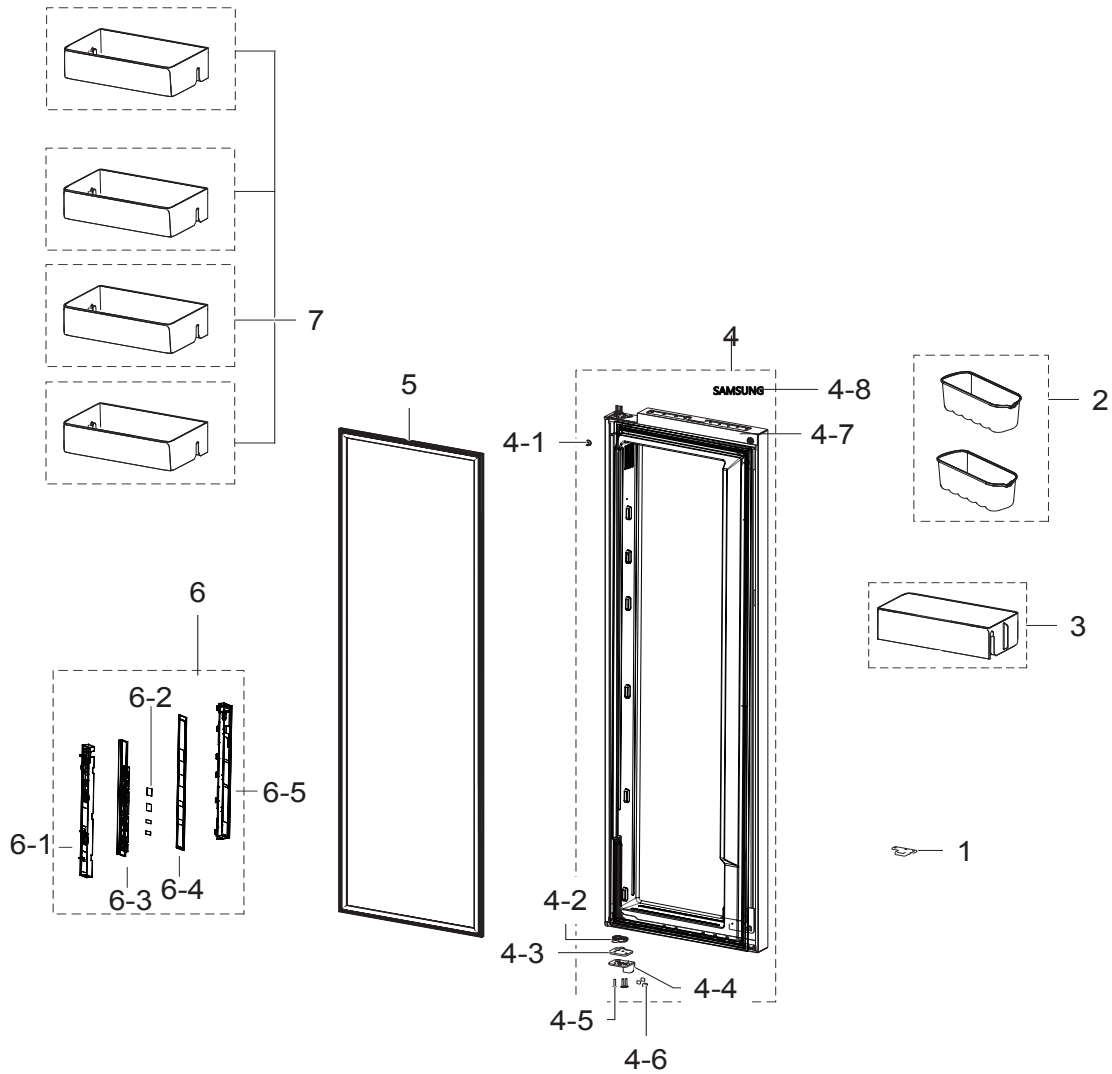
EXPLODED VIEW PART LIST

1-3 Freezer door



EXPLODED VIEW PART LIST

1-4 Fridge door



EXPLODED VIEW PART LIST

1-5 Cabinet

