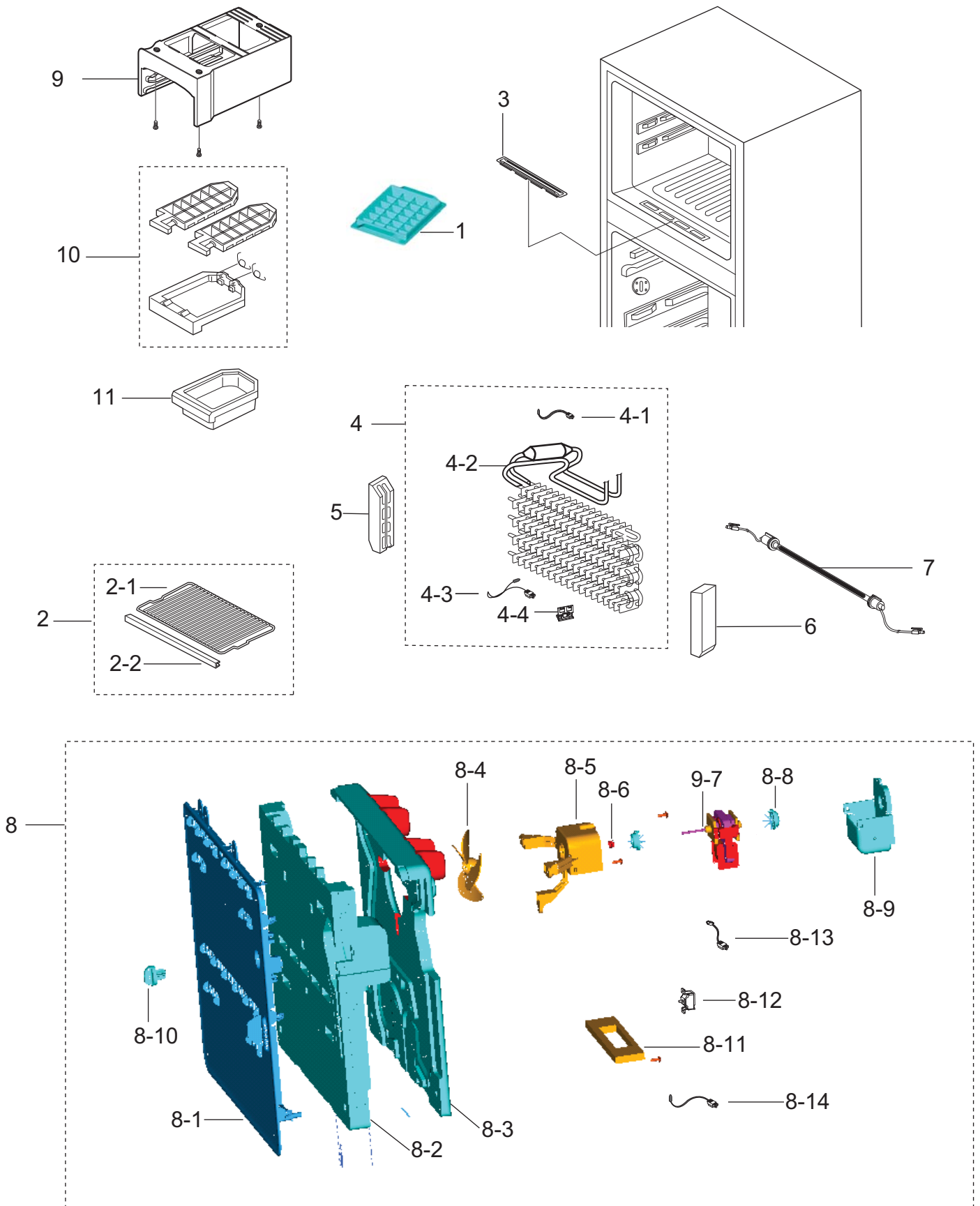
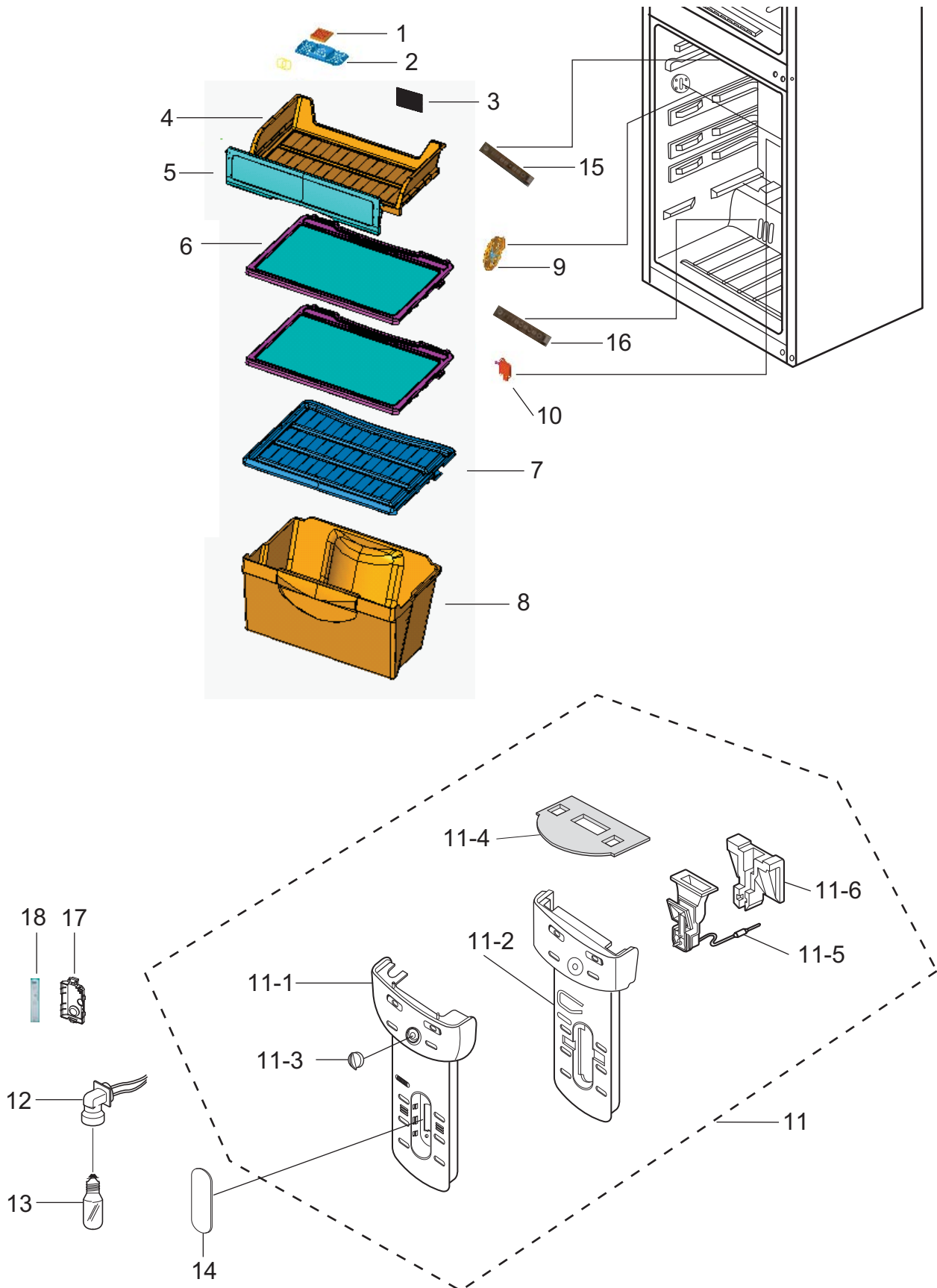


6. Exploded View & Parts List

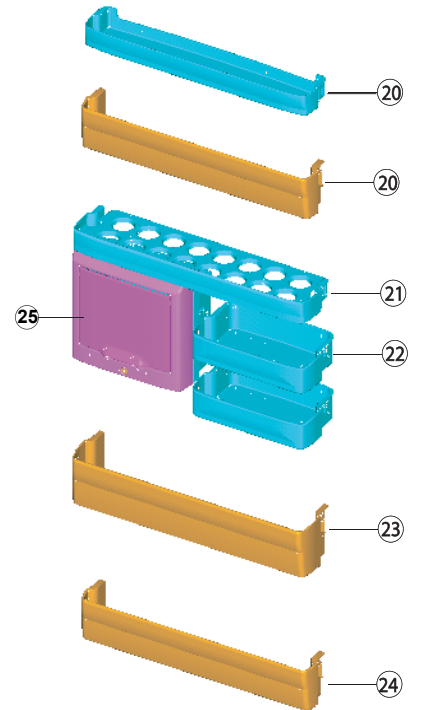
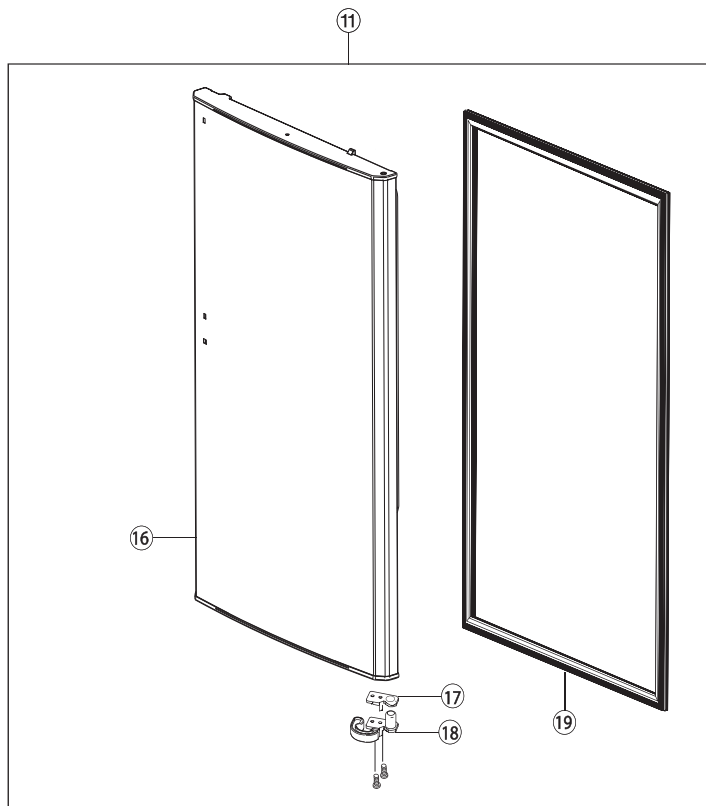
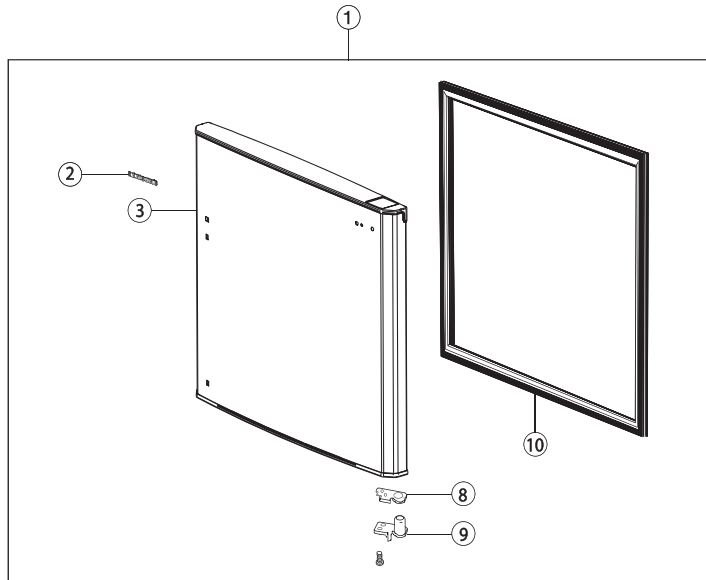
6-1. Freezing compartment



6-2. Refrigerating compartment



6-3. Door parts



6-4. Cabinet Parts & Unit

