

Revision A:

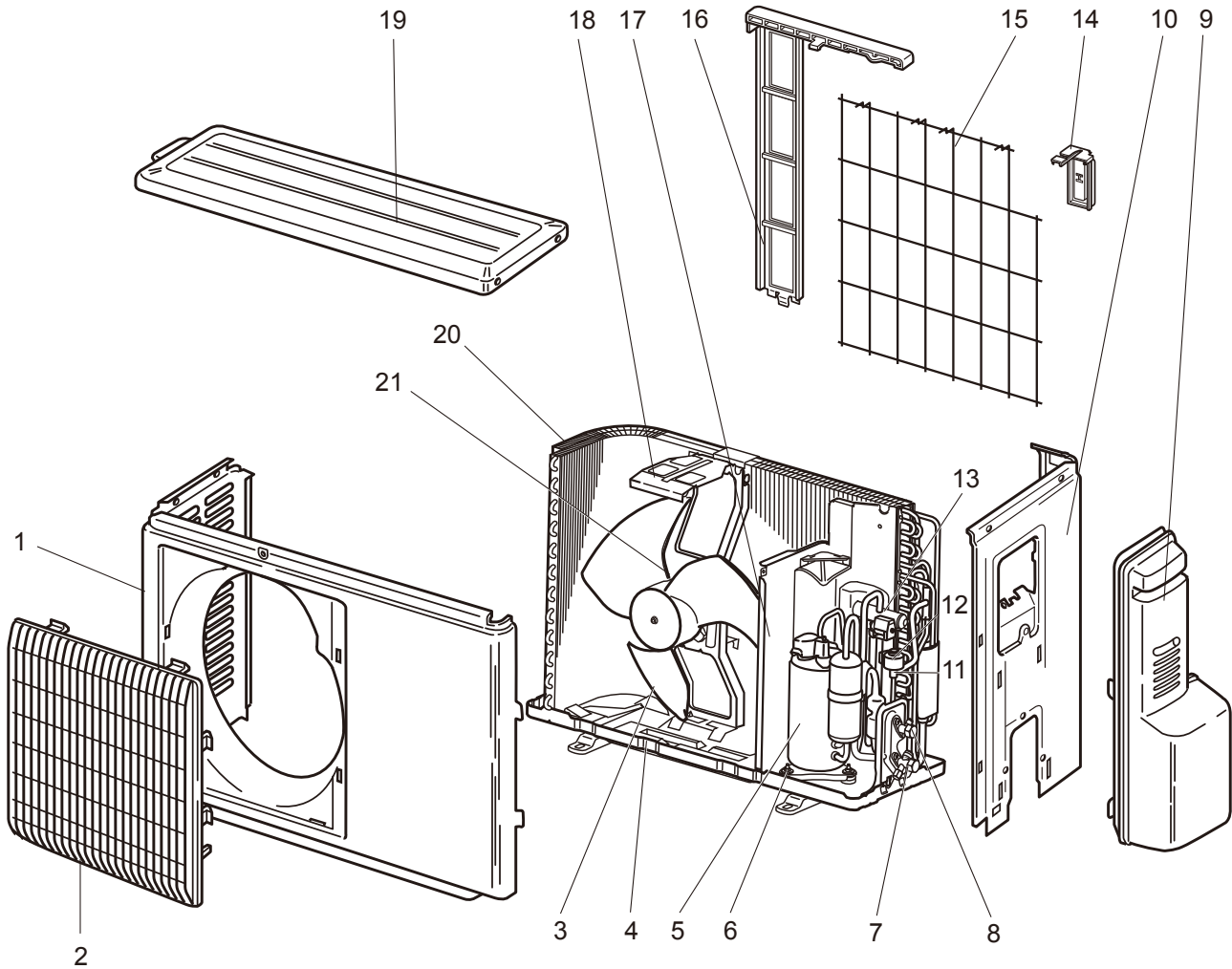
• Some descriptions have been modified.

1

SERVICE PARTS LIST

MUZ-FH25VE MUZ-FH35VE

1-1. OUTDOOR UNIT STRUCTURAL PARTS AND FUNCTIONAL PARTS





MUZ-FH25VE MUZ-FH35VE
1-2. OUTDOOR UNIT ELECTRICAL PARTS

