

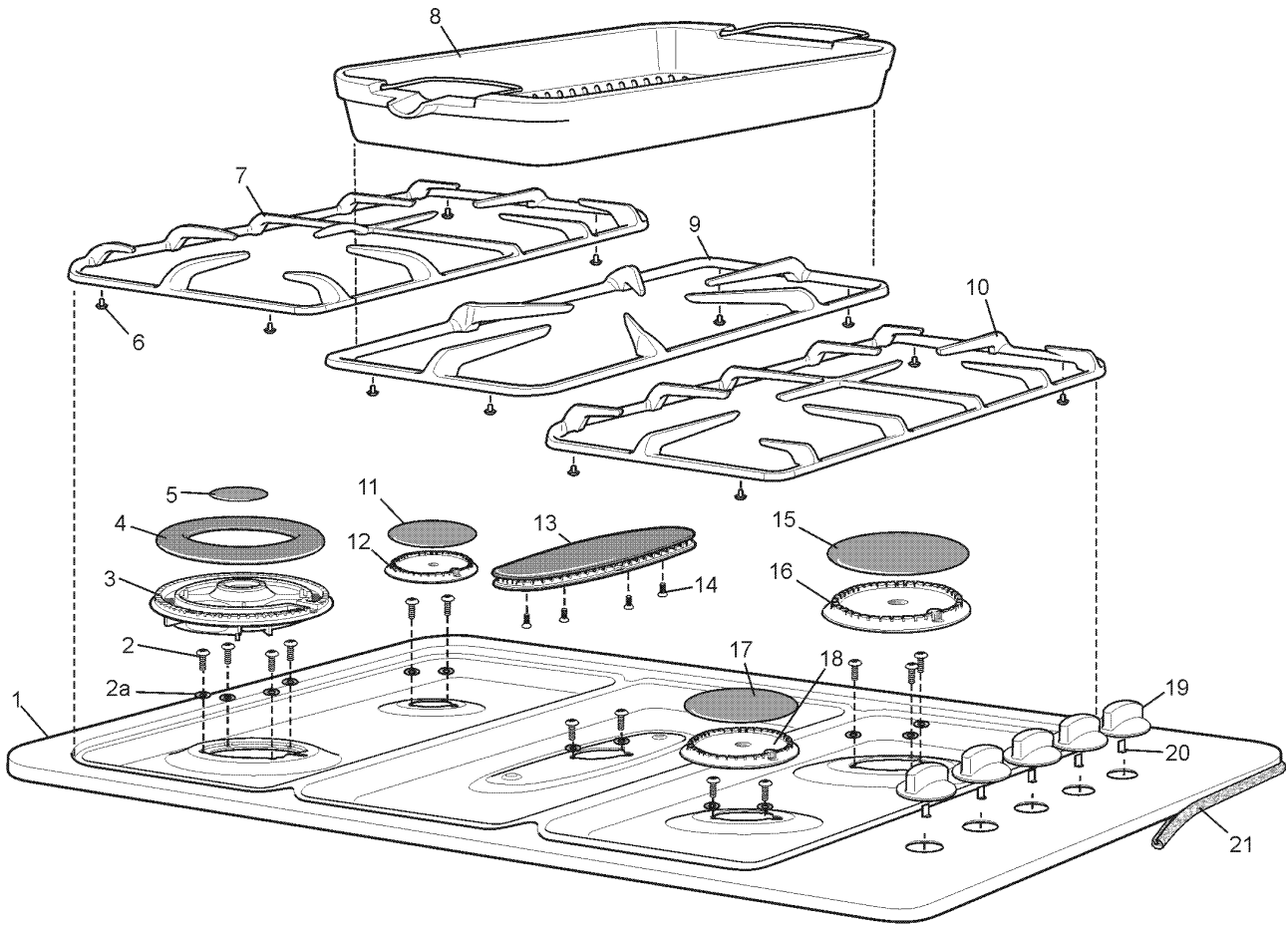
Completed document

Model: GHL795S

PNC: 94909053100

MODELS: GHL795S
GHL795W

EX. VIEW DRAWING 4391
HOB ASSEMBLY



GAS CONVERSION KITS

NATURAL GAS KIT PART N° 0609 100 291

PART N°	DESCRIPTION	QTY
0131 002 100	Nipple Injector NG/LP 1.00	1
0131 002 135	Nipple Injector Semi-Rapid NG 1.35	3
0131 002 393	Nipple Injector Rapid NG 1.60	2
0131 002 403	Nipple Injector Wok NG 1.75	1
0131 002 406	Nipple Injector Fish NG 1.45	1
0294 001 028	Governor Gas NG	1
0296 004 100	Sticker Gas Type NG	1

PROPANE / UNIVERSAL GAS KIT PART N° 0609 001 350

NOTE: THIS KIT IS SUPPLIED WITH THE APPLIANCE

PART N°	DESCRIPTION	QTY
0131 002 391	Nipple Injector NG/LP 1.00	1
0131 002 409	Nipple Injector Semi-Rapid 0.95	3
0131 002 410	Nipple Injector Rapid LP 0.90	2
0131 002 408	Nipple Injector Aux LP 0.55	1
0131 002 411	Nipple Injector Fish LP 0.78	1
0616 010 220	Instruction LPG Gas Conversion C/Top	1
0296 004 103	Sticker Gas Type LPG	1