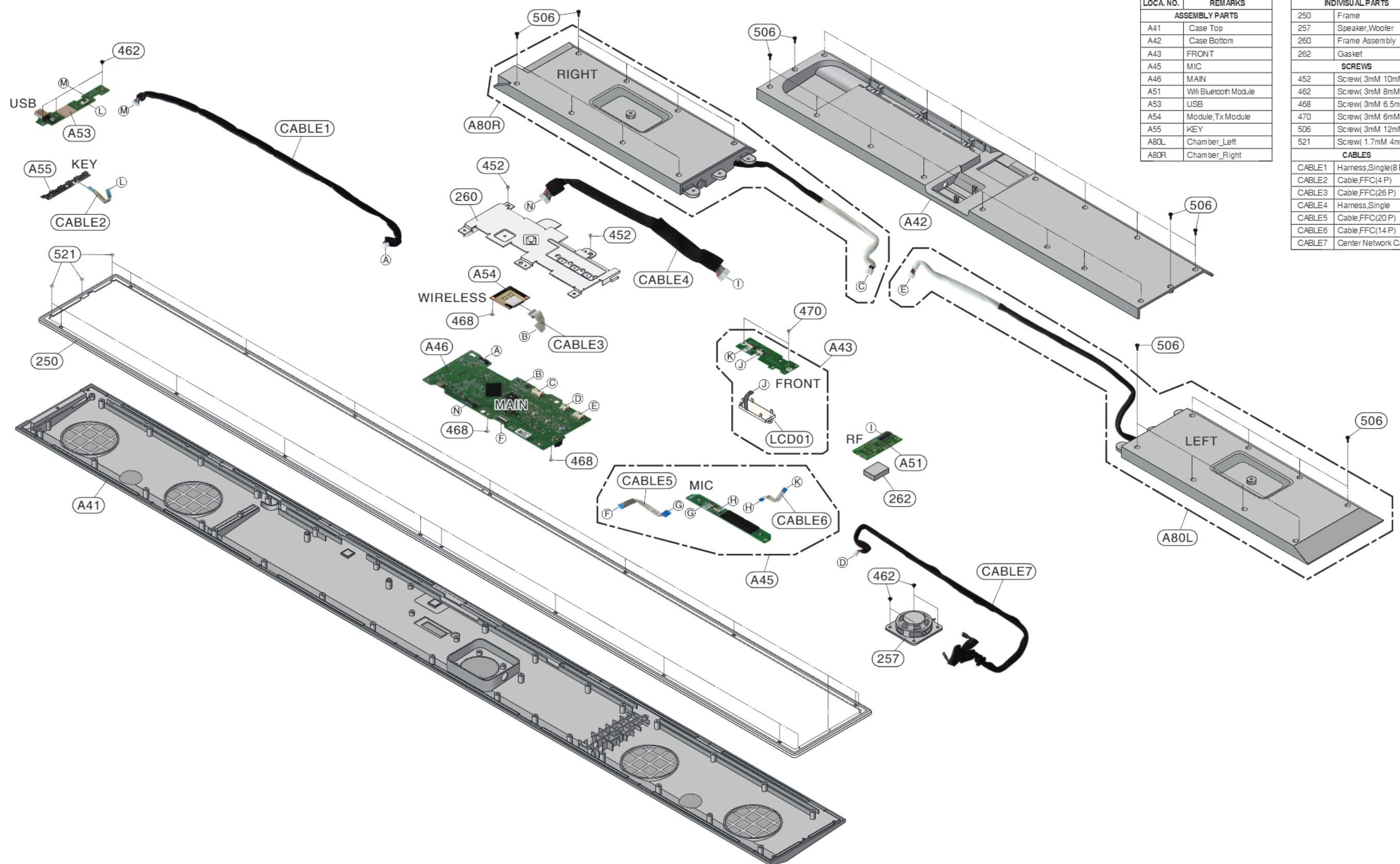


EXPLODED VIEWS

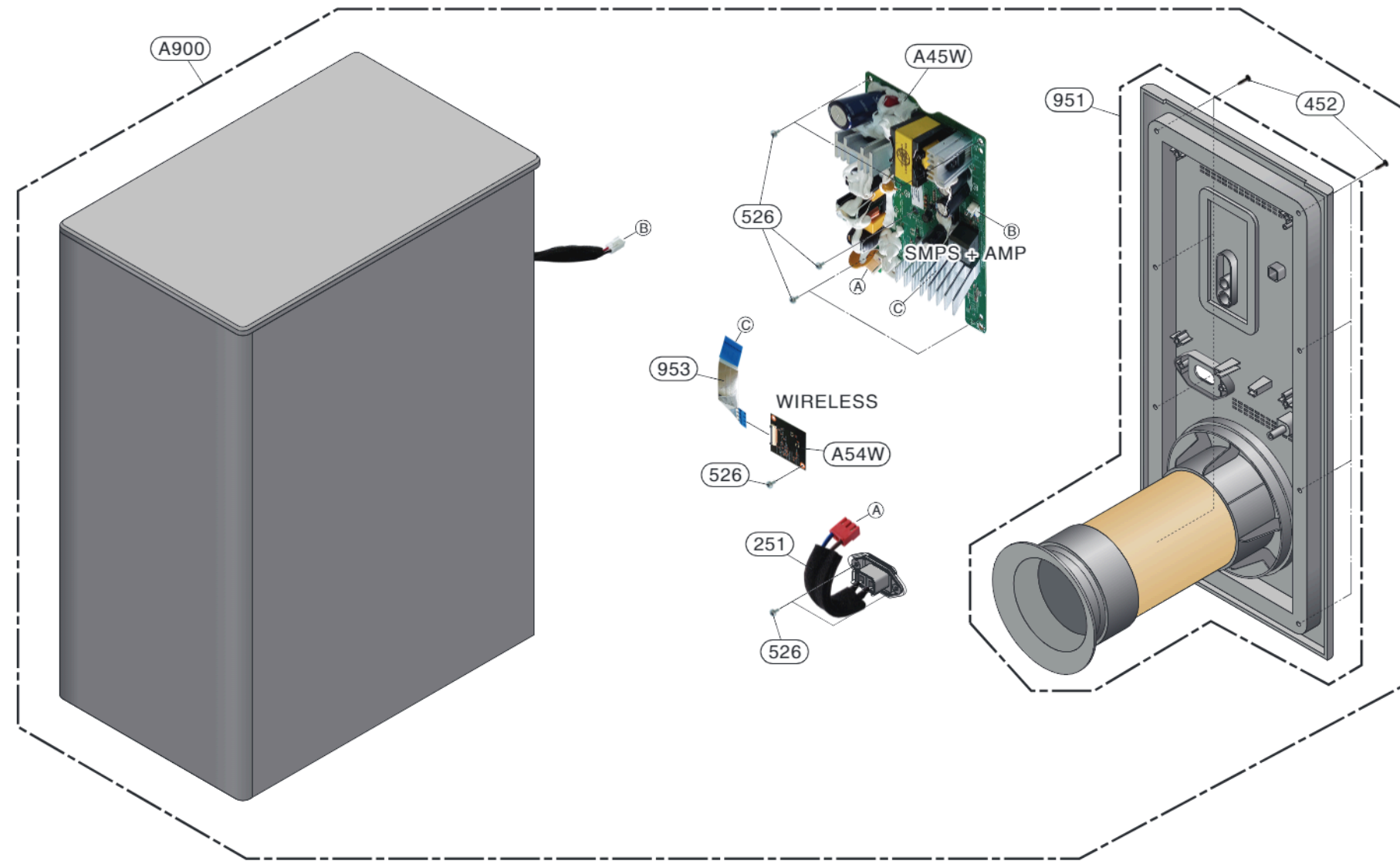
1. MAIN UNIT (SG10TY) SECTION



LOCA. NO.	REMARKS
ASSEMBLY PARTS	
A41	Case Top
A42	Case Bottom
A43	FRONT
A45	MIC
A46	MAIN
A51	Wifi Bluetooth Module
A53	USB
A54	Module, Tx Module
A55	KEY
A80L	Chamber_Left
A80R	Chamber_Right

INDIVIDUAL PARTS	
250	Frame
257	Speaker, Woofer
260	Frame Assembly
262	Gasket
SCREWS	
452	Screw(3mM 10mM)
462	Screw(3mM 8mM)
468	Screw(3mM 6.5mM)
470	Screw(3mM 6mM)
506	Screw(3mM 12mM)
521	Screw(1.7mM 4mM)
CABLES	
CABLE1	Harness, Single(8 P)
CABLE2	Cable, FFC(4 P)
CABLE3	Cable, FFC(26 P)
CABLE4	Harness, Single
CABLE5	Cable, FFC(20 P)
CABLE6	Cable, FFC(14 P)
CABLE7	Center Network Cable

2. WIRELESS SUBWOOFER (SPTG-W) SECTION



LOCA. NO.	REMARKS
A900	Active Woofer
A45W	AMP+SMPS
A54W	Module,Rx Module
251	Socket,Power
951	Panel Assembly,Rear
953	Cable,FFC(26 P)
452	Screw(3mM 10mM)
526	Screw(3.5mM 16mM)

3. PACKING ACCESSORY SECTION

