

# **Completed document**

Model: WTB3700PF

PNC: 92505315700



# Electrolux

Publication No. RE1002  
Issue:1 Date:20/10/2015

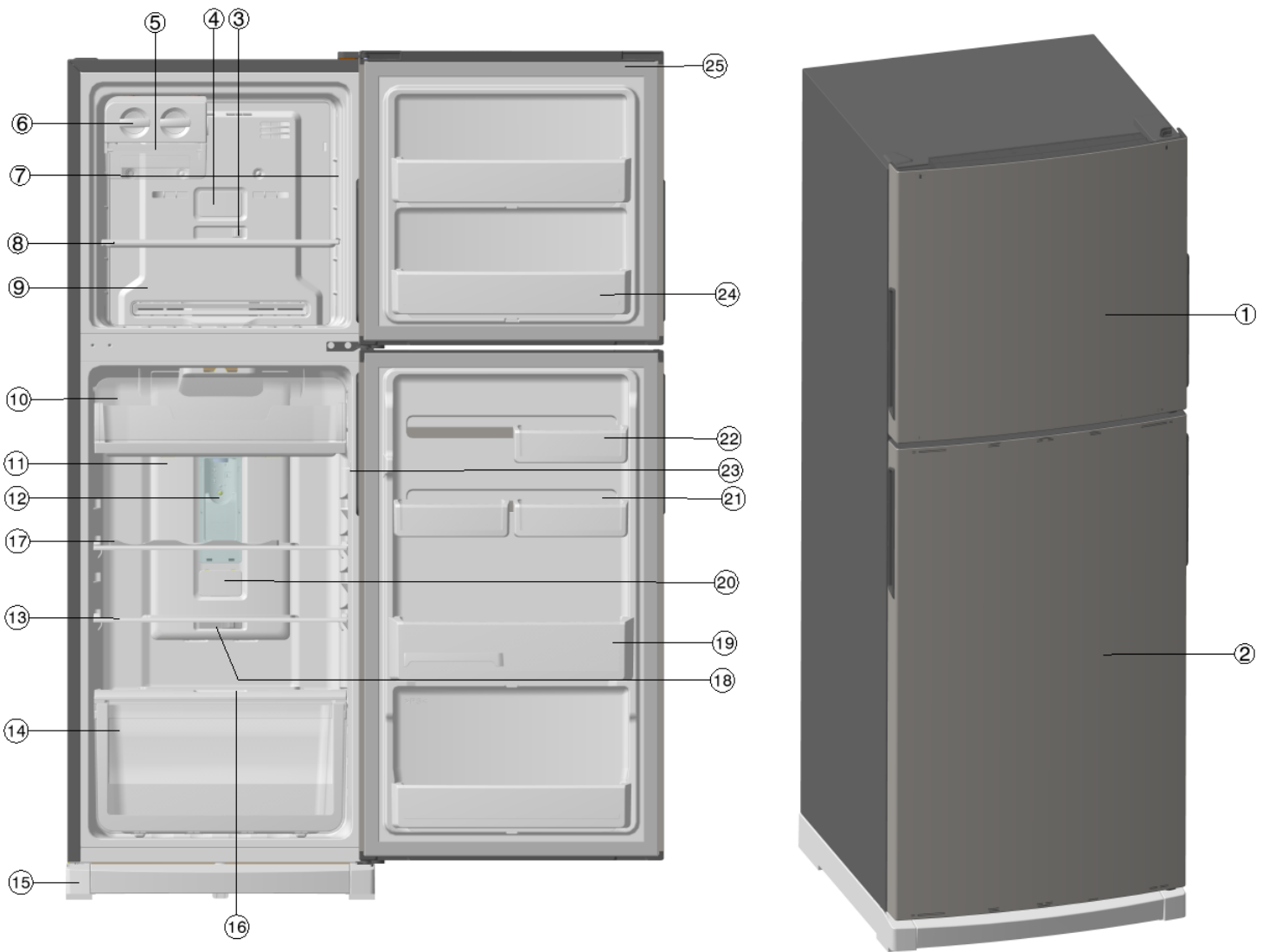
**ELECTROLUX HOME PRODUCTS PTY LTD**

ABN 51 004 762 341

**BASIC ELECTRONIC  
CONTROLLED R600A  
WESTINGHOUSE**

**TOP MOUNT  
REFRIGERATORS  
ERF1500 CONTROL**

<b>MODELS:-</b>	<b>PNC'S:-</b>
WTB2300WF	925053148
WTB2300PF	925053149
WTB2500WF	925053150
WTB2500PF	925053151
WTB2800WF	925053152
WTB2800PF	925053153
WTB3400WF	925053154
WTB3400PF	925053155
WTB3700WF	925053156
WTB3700PF	925053157



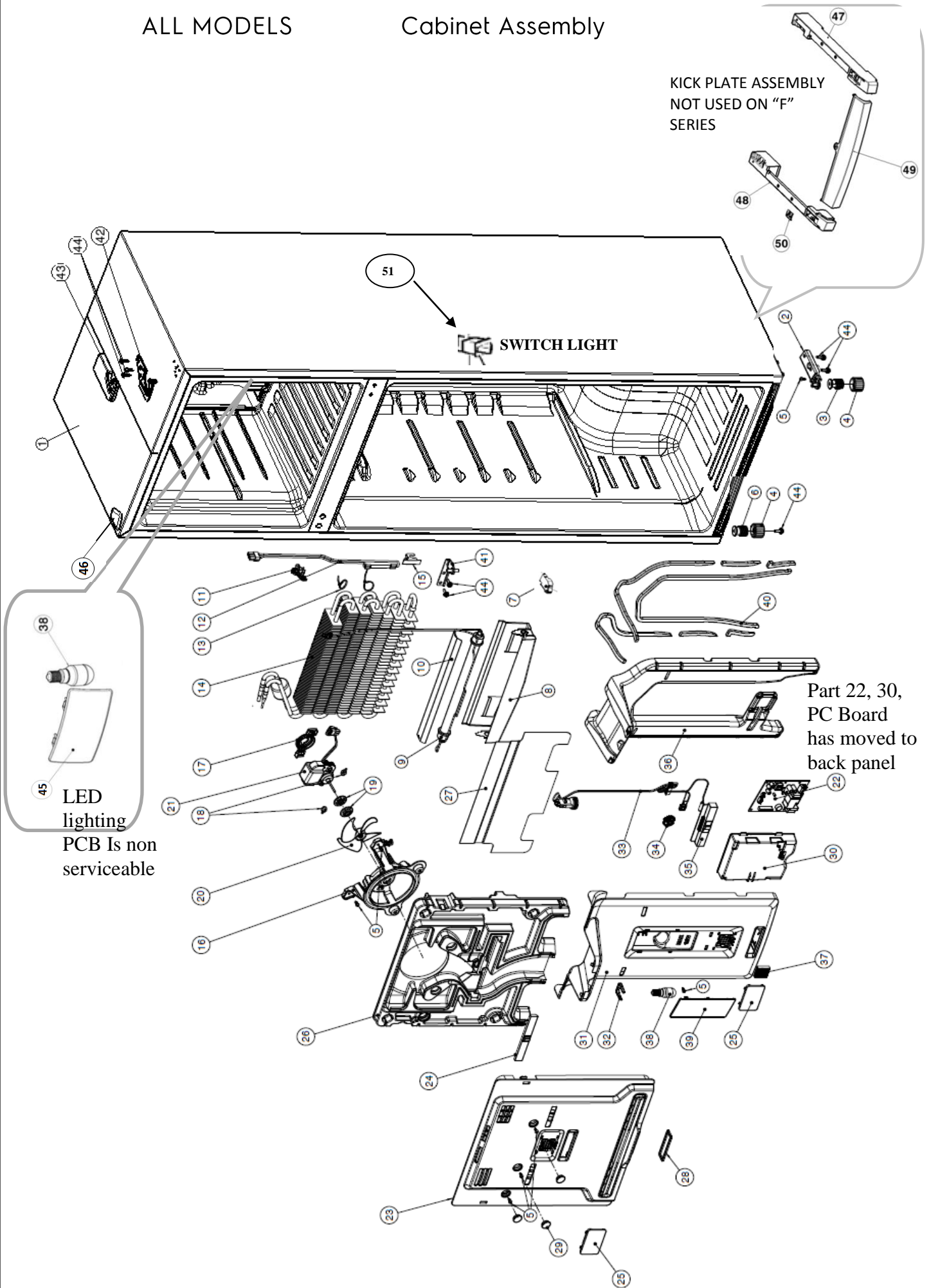
**LIST OF REFRIGERATOR FEATURES:**

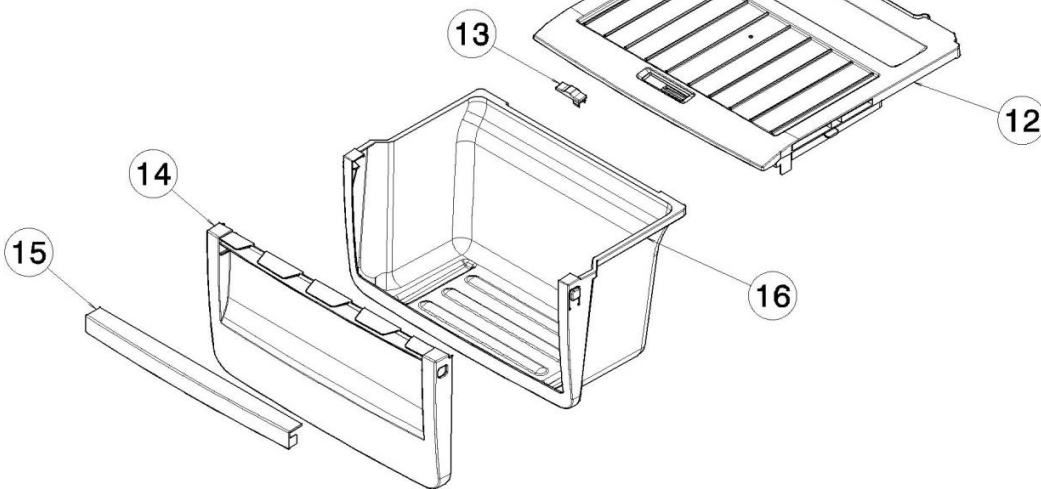
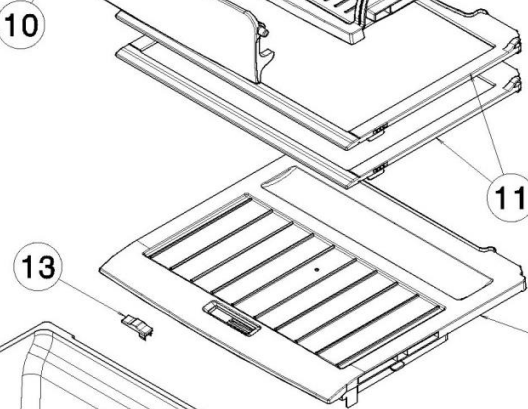
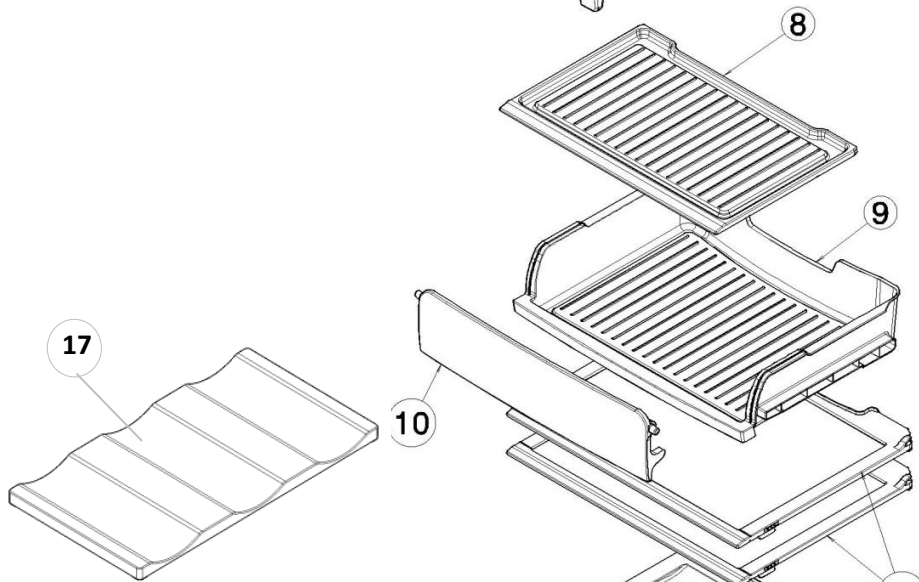
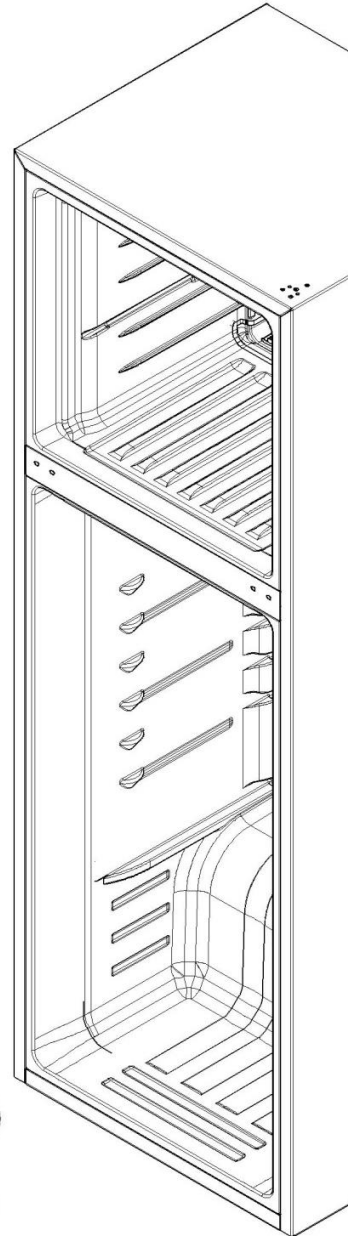
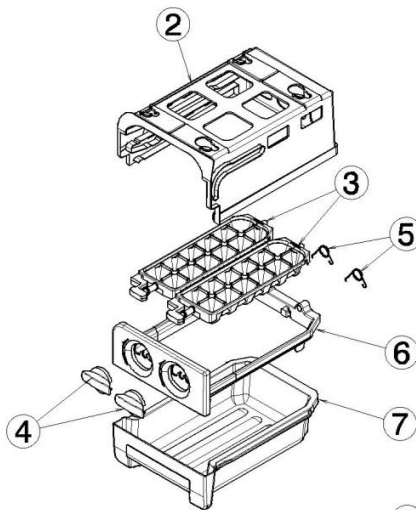
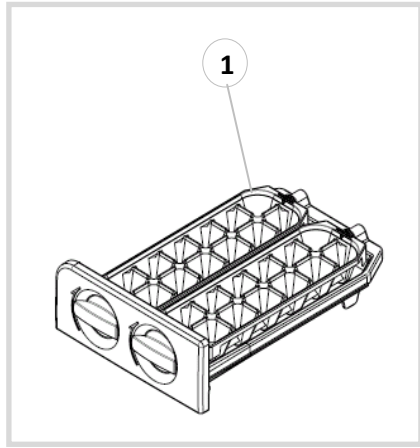
- |    |                                  |    |                                   |
|----|----------------------------------|----|-----------------------------------|
| 1  | FREEZER DOOR                     | 14 | CRISPER                           |
| 2  | FOOD DOOR                        | 15 | KICK PLATE (ONLY 210L & 230L)     |
| 3  | TEMPERATURE CONTROL (FREEZER)    | 16 | HUMIDITY SLIDE                    |
| 4  | DEODORISER COVER (FREEZER)       | 17 | WINE CADDY                        |
| 5  | ICE BIN                          | 18 | BOTTLE DOOR BINS                  |
| 6  | ICE TWIST TRAYS                  | 19 | TEMPERATUE CONTROL (REFRIGERATOR) |
| 7  | FREEZER LIGHT (ONLY 320L & 350L) | 20 | DEODORIZER                        |
| 8  | FREEZER SHELF                    | 21 | SLIDE RAILS                       |
| 9  | EVAPORATOR COVER                 | 22 | EGG TRAY                          |
| 10 | CHILLER COMPARTMENT              | 23 | DOOR ALARM                        |
| 11 | MULTI FLOW                       | 24 | DOOR BINS                         |
| 12 | REFRIGERATOR LIGHT               | 25 | GASKETS                           |
| 13 | CRISPER                          |    |                                   |

ALL MODELS

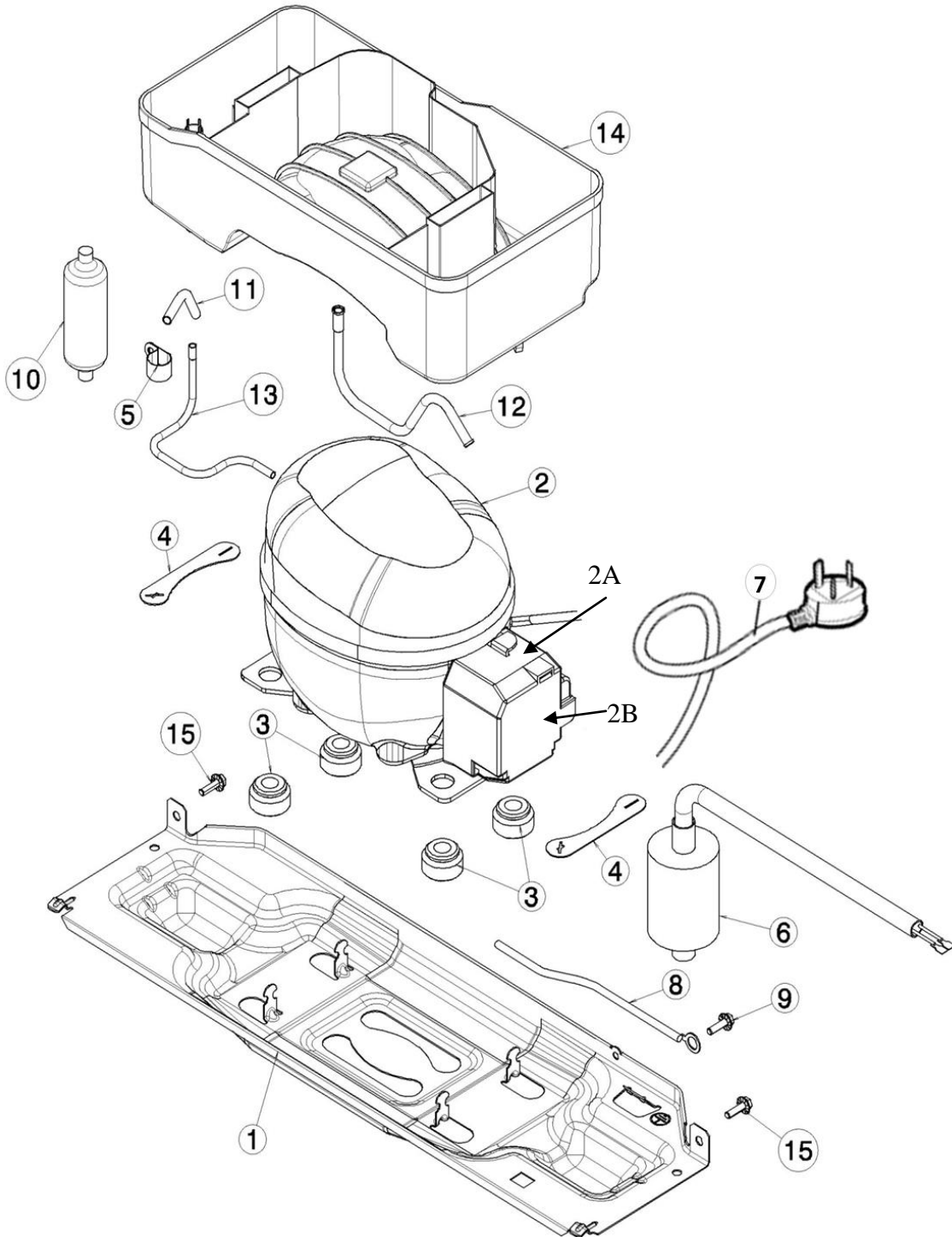
# Cabinet Assembly

KICK PLATE ASSEMBLY  
NOT USED ON "F"  
SERIES





MODELS: ALL MODELS System compartment Assembly



MODEL: AII

# Door Assembly

