

**Fisher & Paykel**  
*appliances*



**Parts Manual**

# Smart Drive<sup>®</sup> Electronic Washing Machine

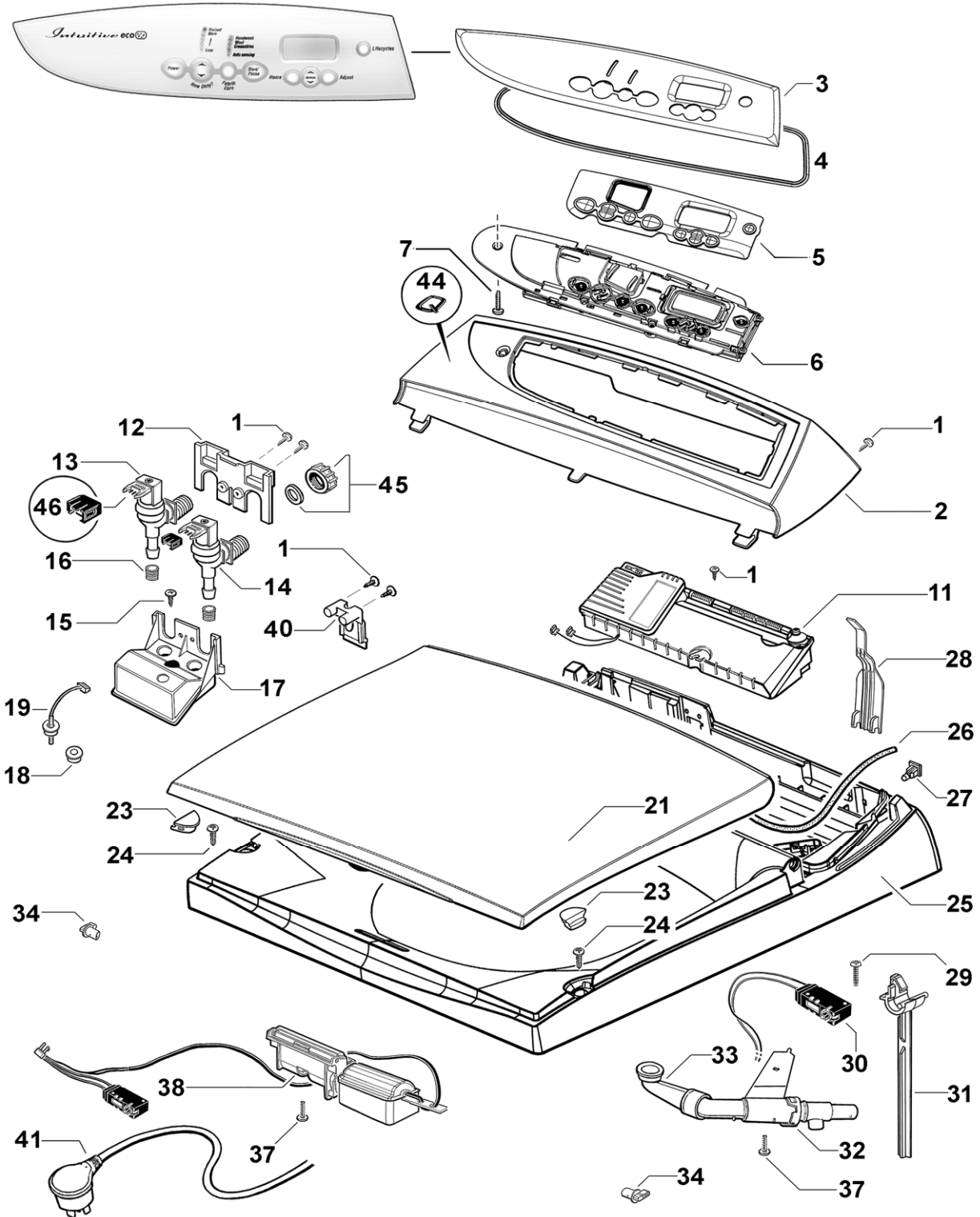


**Model:**  
IW812 NZ FP WH B

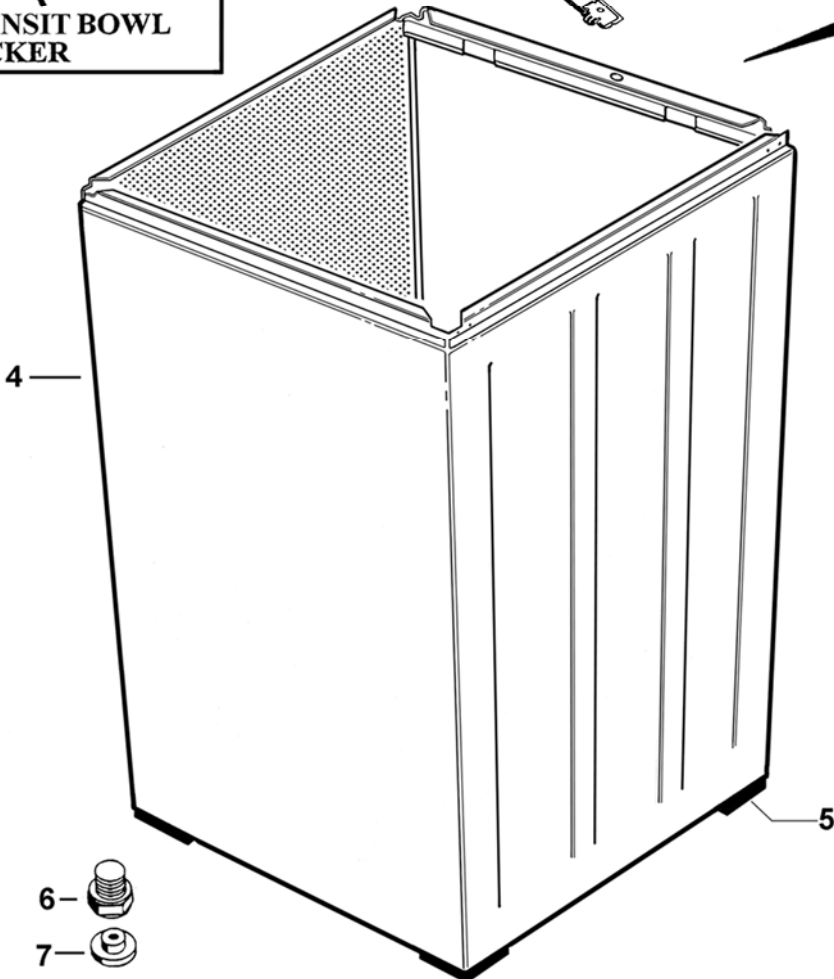
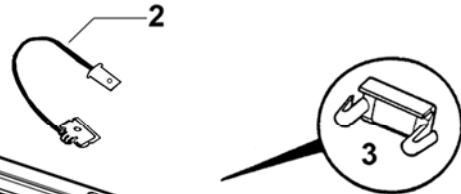
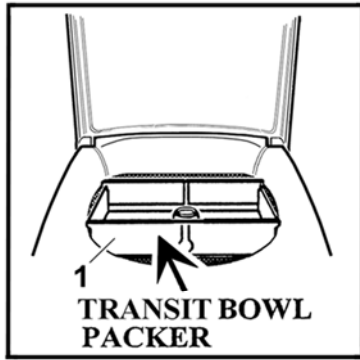
**Product Code:**  
92192-A

**92192-A**

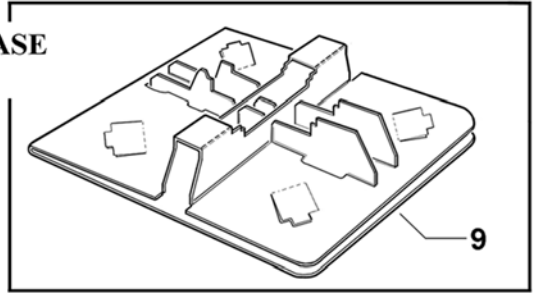
# TOP DECK AND ELECTRONICS



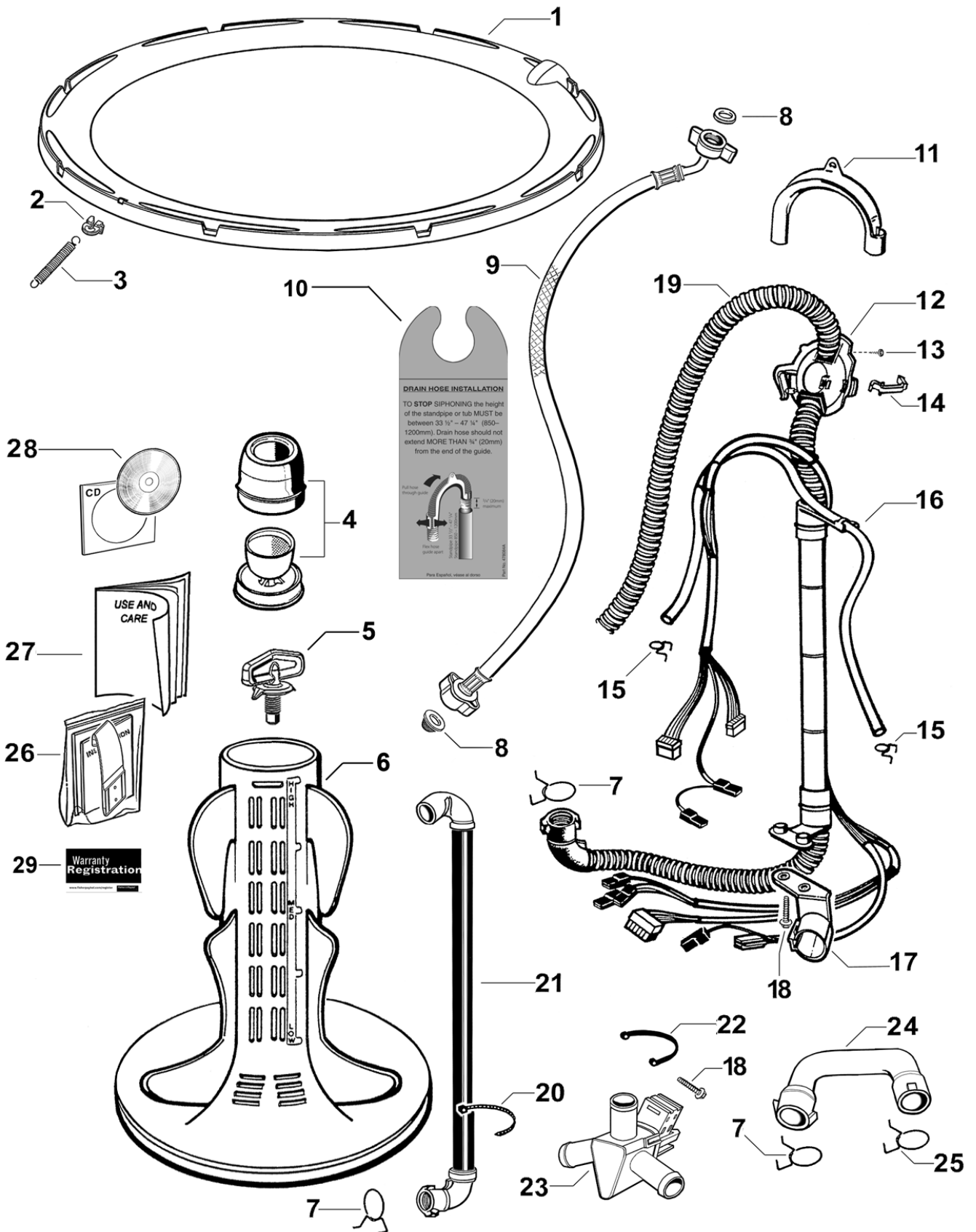
# WRAPPER



**TRANSIT BASE  
PACKER**



# AGITATOR AND HOSES





# MOTOR

