

**Revision A:**

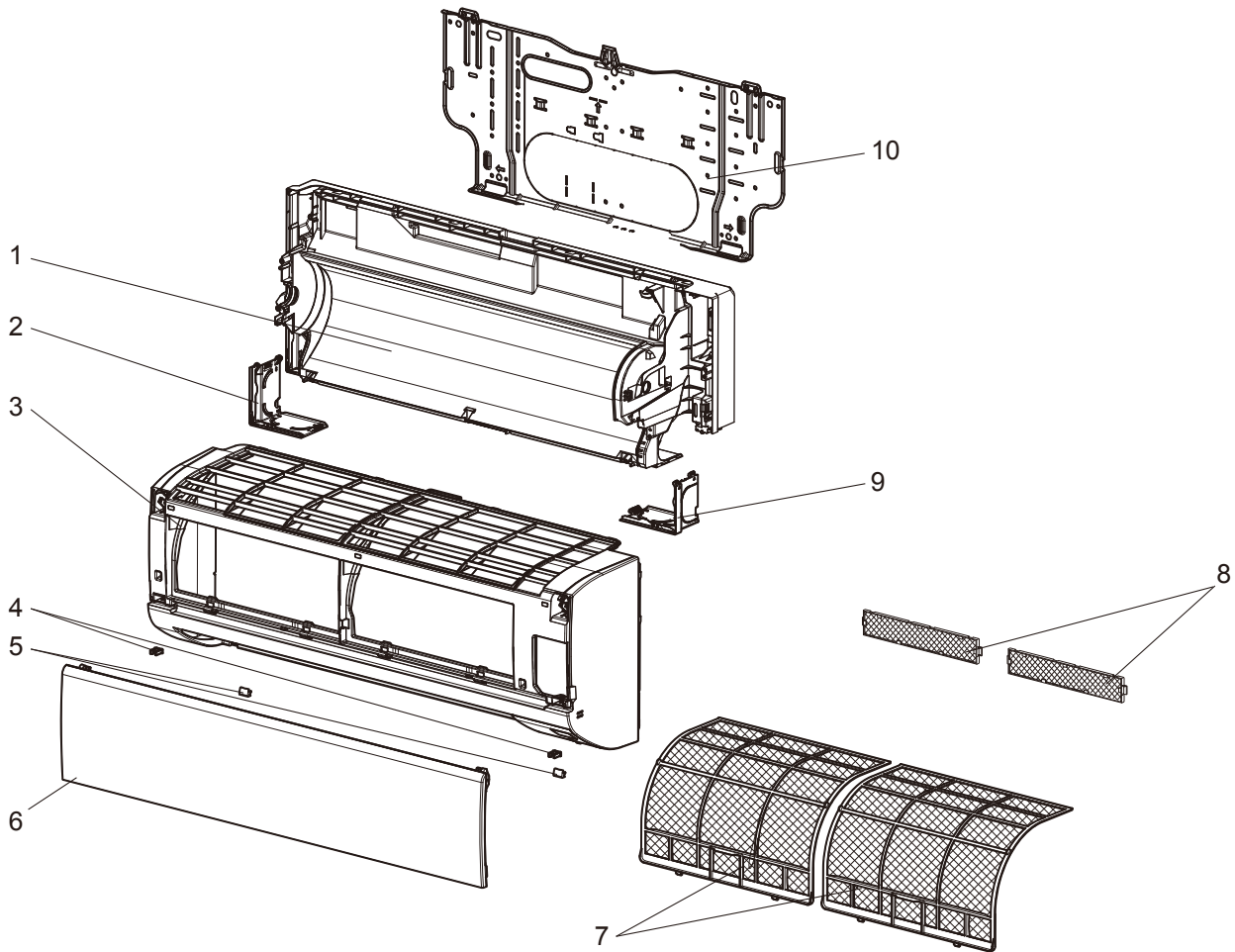
• Some descriptions have been modified.

**1**

**SERVICE PARTS LIST**

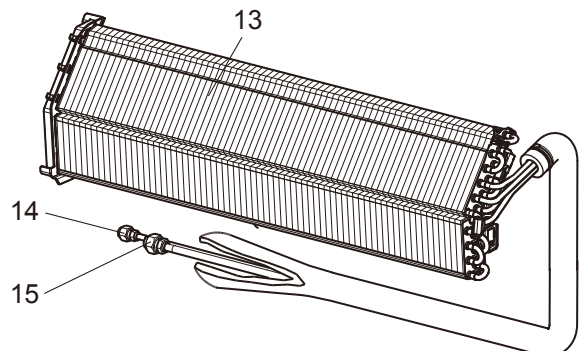
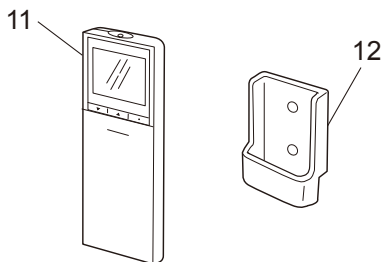
**MSZ-GL25VGD MSZ-GL35VGD MSZ-GL42VGD**

**1-1. INDOOR UNIT STRUCTURAL PARTS**

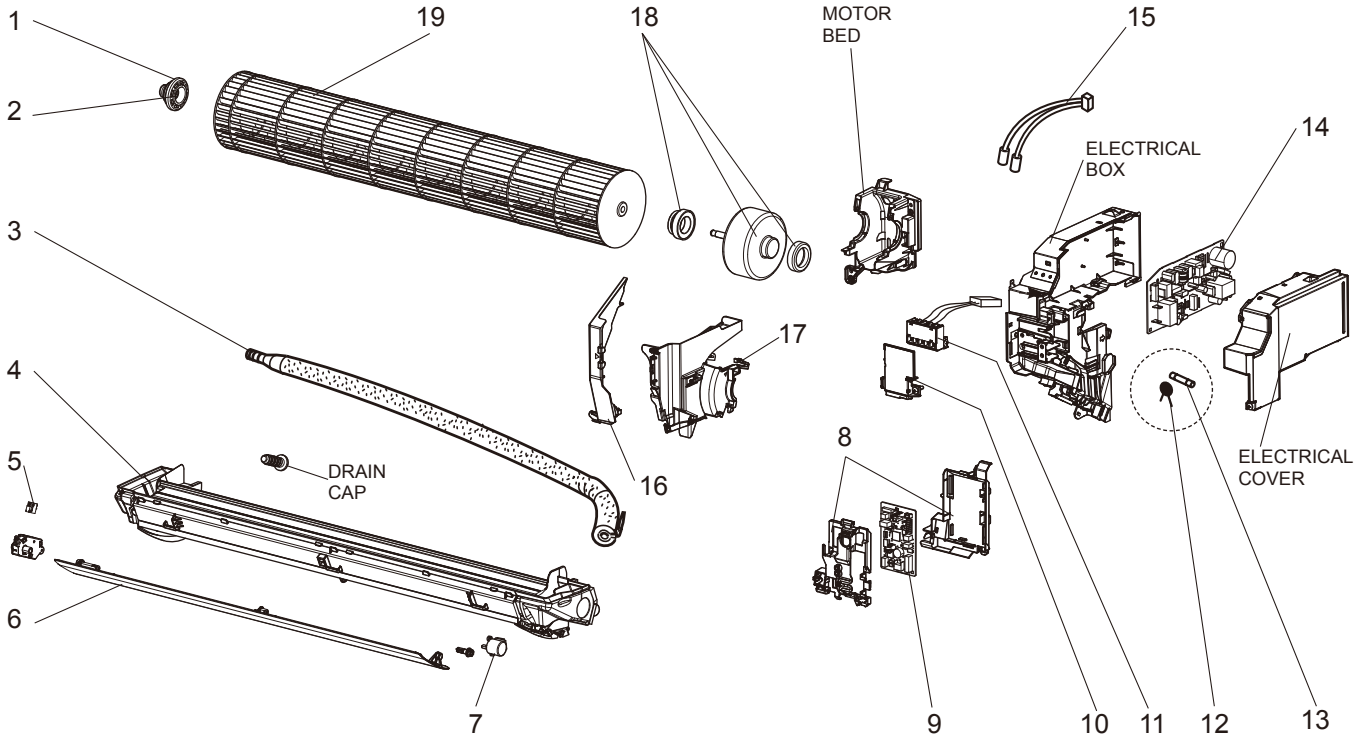


**1-2. ACCESSORY AND REMOTE CONTROLLER**

**1-3. INDOOR UNIT HEAT EXCHANGER**

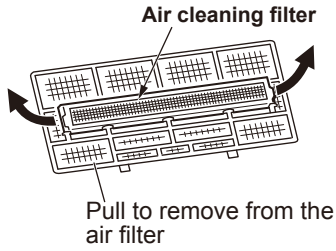


**MSZ-GL25VGD MSZ-GL35VGD MSZ-GL42VGD**  
**1-4. INDOOR UNIT ELECTRICAL PARTS AND FUNCTIONAL PARTS**



## 1-13. AIR CLEANING FILTER (ANTI-ALLERGY ENZYME FILTER)

### Air cleaning filter replacement



#### Every 3 months:

- Remove dirt by a vacuum cleaner.
- Put it back to its original position, and install all tabs of the air filter.

#### When dirt cannot be removed by vacuum cleaning:

- Soak the filter and its frame in lukewarm water before rinsing it.  
(Diluted mild detergents can be used when dirt cannot be removed.)
- After washing with water, dry it well in shade. Install all tabs of the air filter.

#### Every year:

- Replace it with a new air cleaning filter for best performance.

**NOTE 1:** Clean the filters regularly for best performance and to reduce power consumption.

**NOTE 2:** Dirty filters cause condensation in the air conditioner which will contribute to the growth of fungi such as mold. It is therefore recommended to clean air filters every 2 weeks.

Model	Part No.
MSZ-GL25VGD MSZ-GL35VGD MSZ-GL42VGD MSZ-GL50VGD MSZ-GL60VGD	MAC-408FT-E
MSZ-GL71VGD MSZ-GL80VGD	MAC-2350FT-E

## MITSUBISHI ELECTRIC CORPORATION

HEAD OFFICE: TOKYO BUILDING, 2-7-3, MARUNOUCHI, CHIYODA-KU, TOKYO 100-8310, JAPAN

© Copyright 2015 MITSUBISHI ELECTRIC CORPORATION

Issued: Apr. 2020. No. OBB728 REVISED EDITION-A

Published: Aug. 2015. No. OBB728

Made in Japan

Specifications are subject to change without notice.