

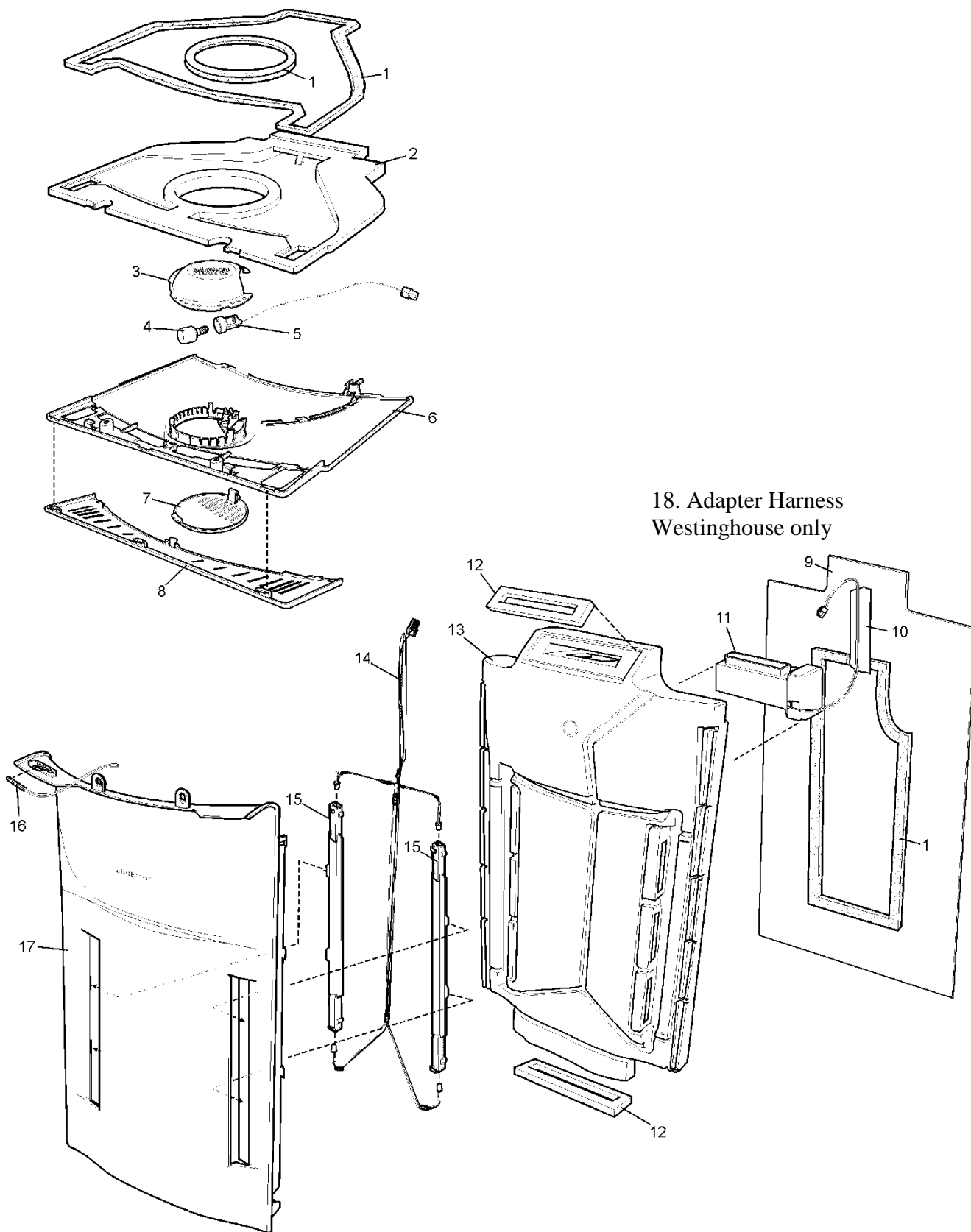
Completed document

Model: WHE5100SA-D

PNC: 92504264200

MODELS: ALL MODELS

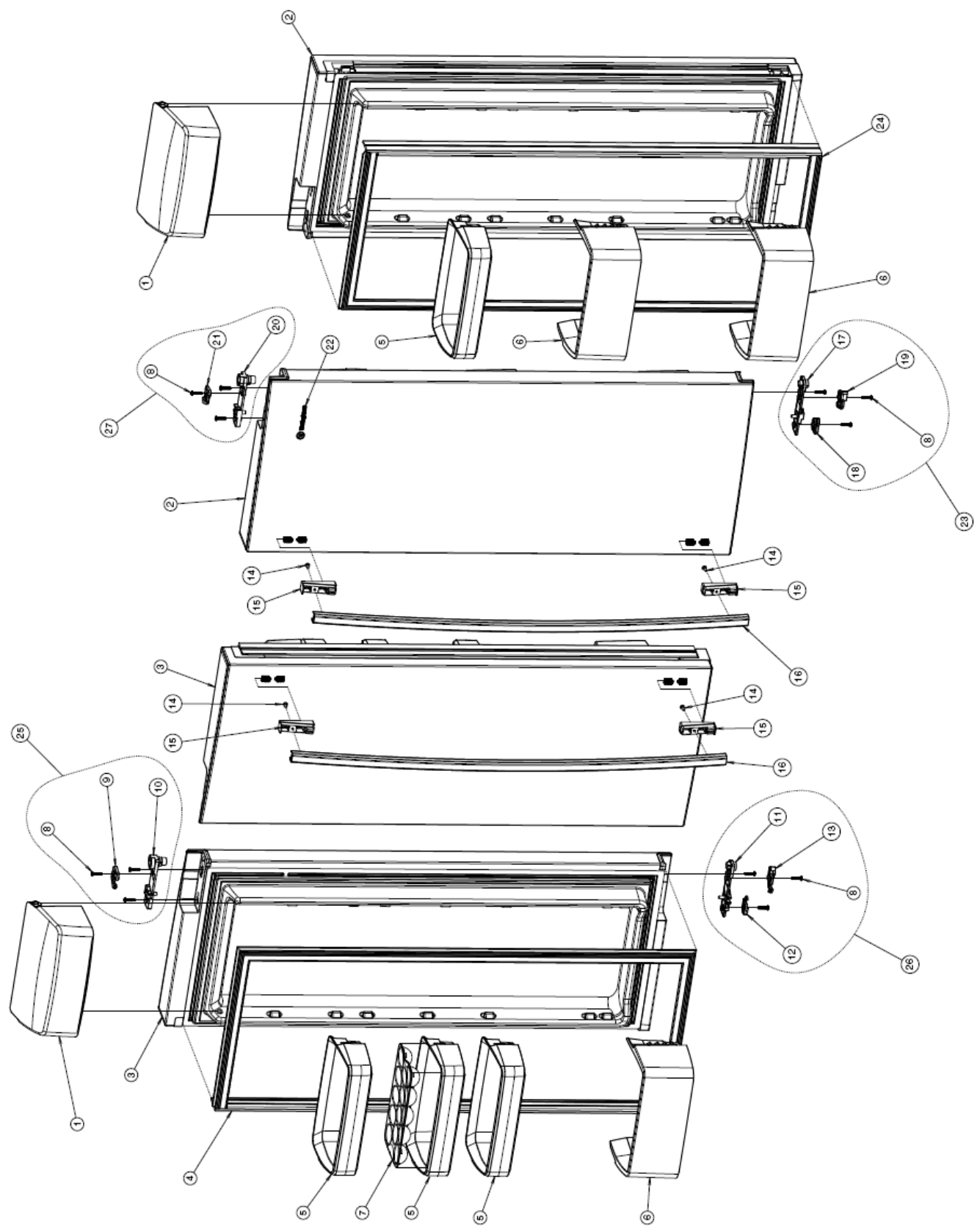
EX. VIEW DRAWING 6635
CONTROL HOUSING
ASSEMBLIES

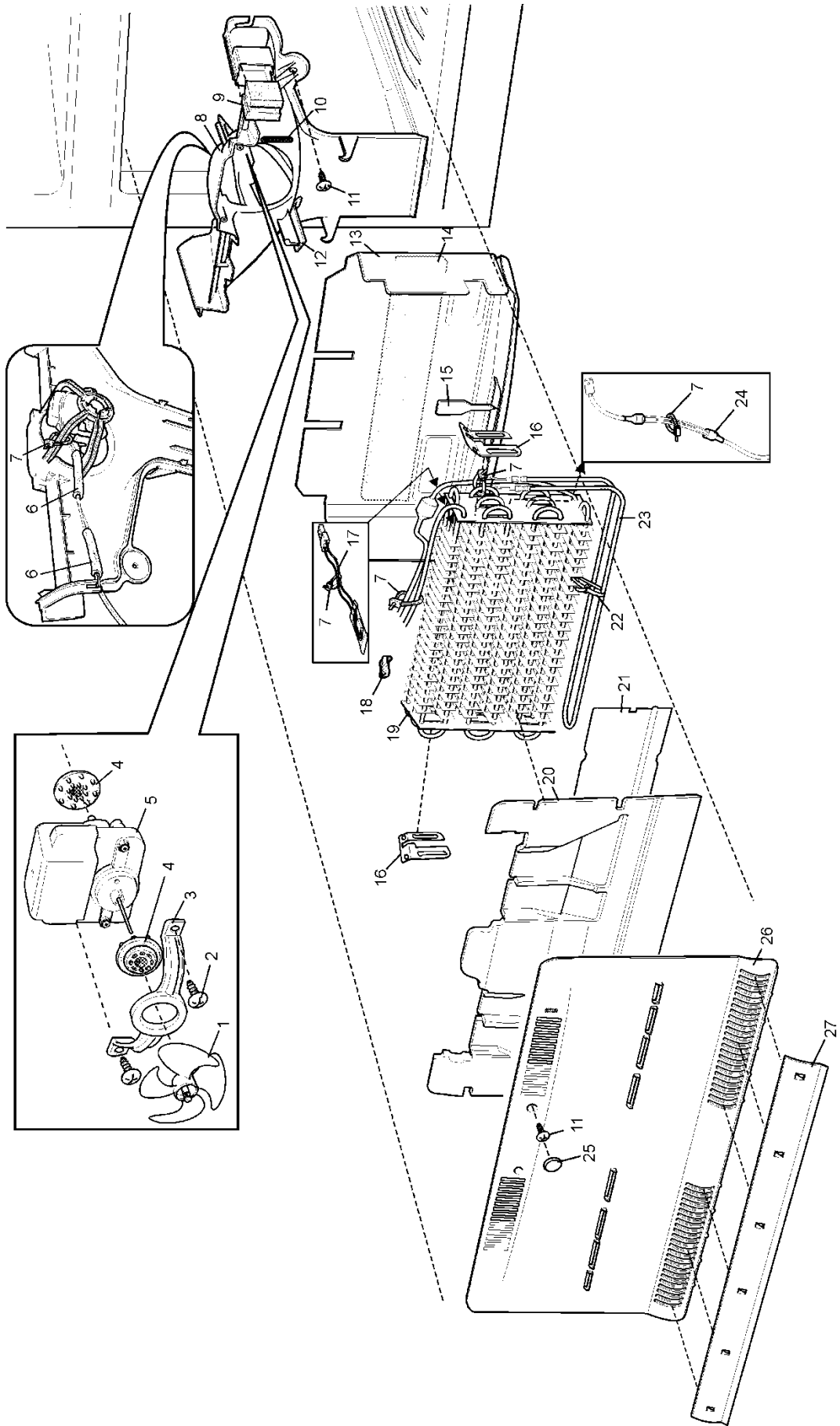


18. Adapter Harness
Westinghouse only

MODEL: ALL MODELS

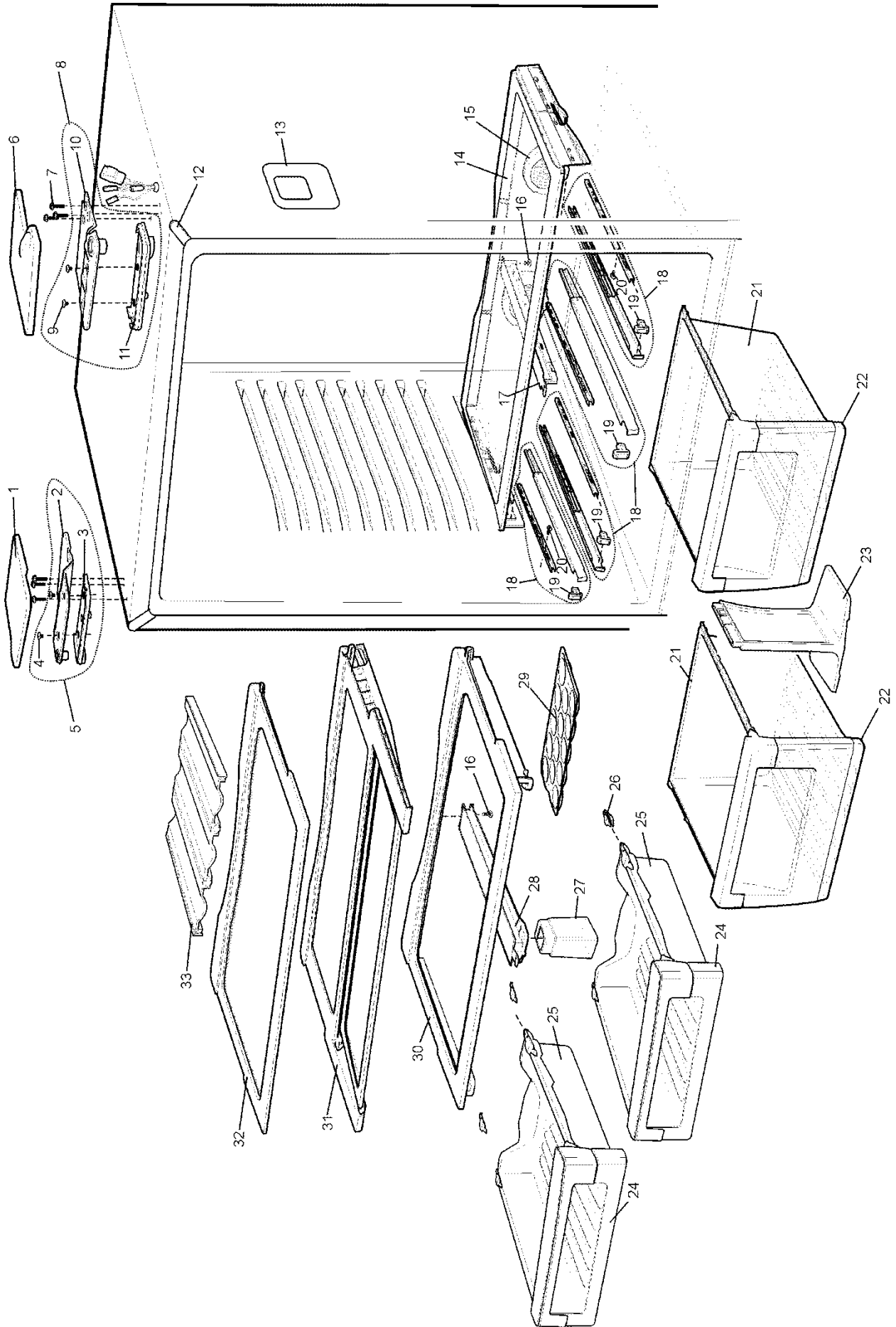
EX. VIEW DRAWING O001
FC DOOR ASSEMBLIES





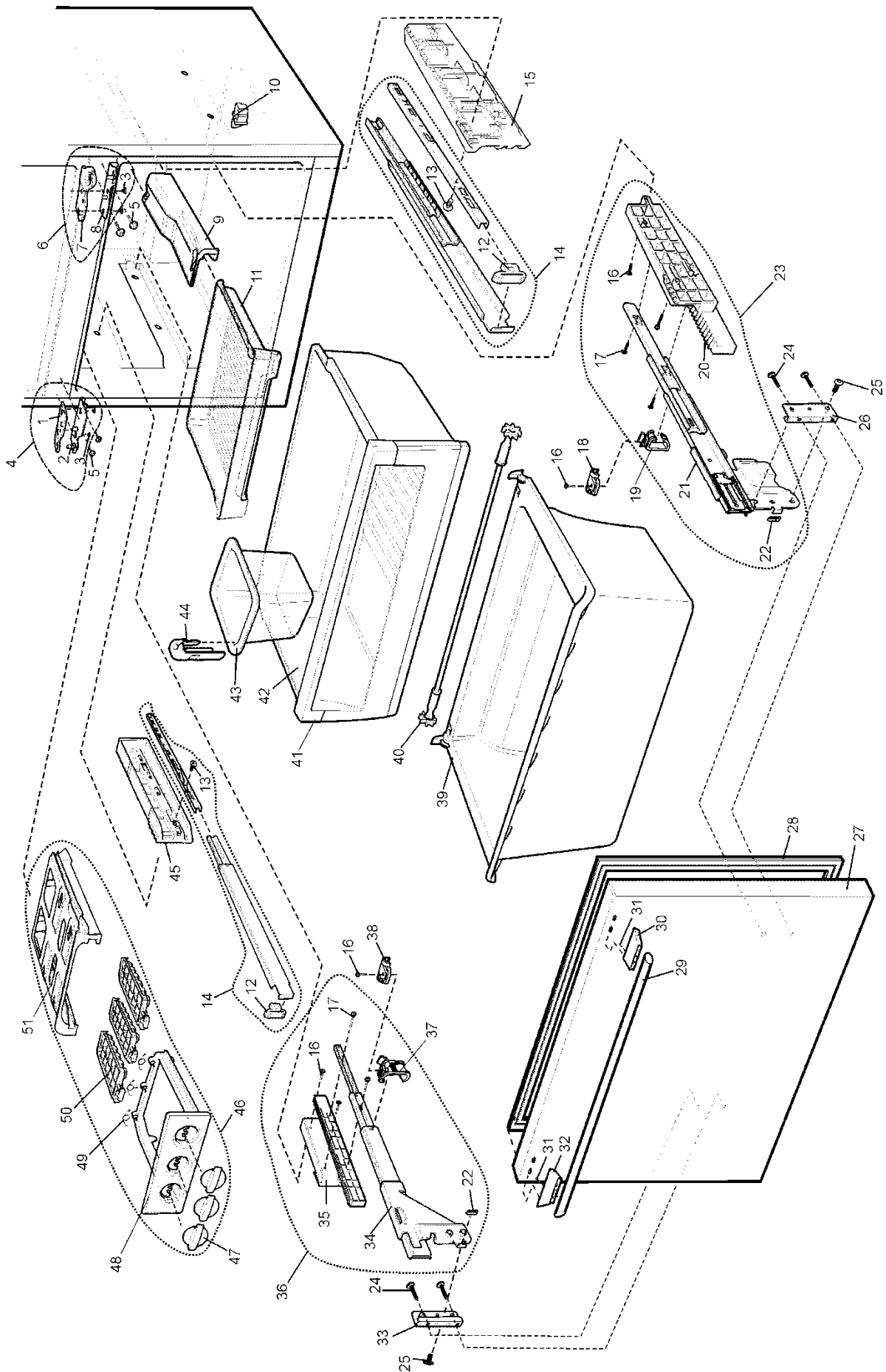
MODEL: ALL MODELS

EX. VIEW DRAWING *****
CABINET ASSEMBLY
FOOD COMPARTMENT



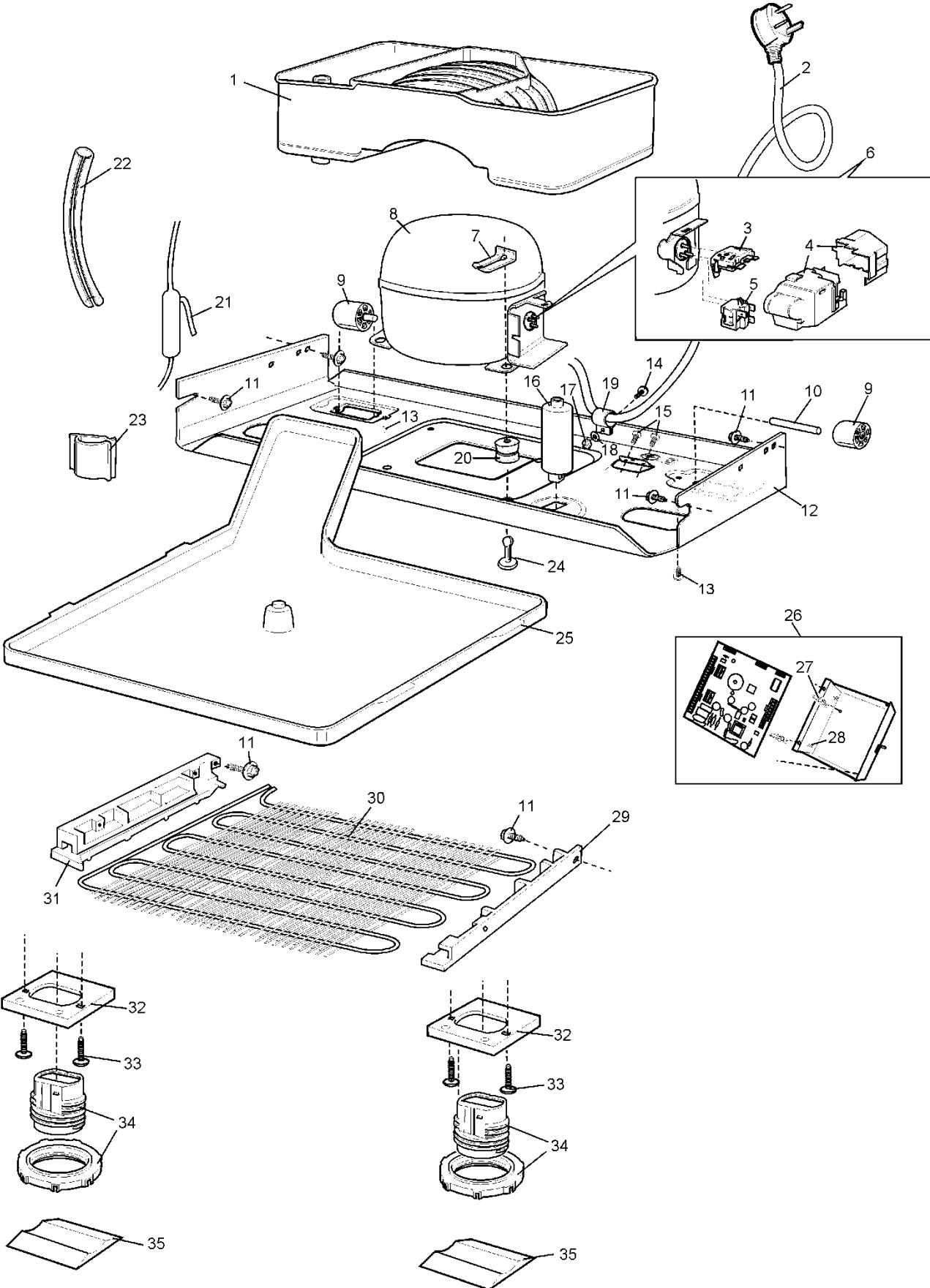
MODEL: WHE5100SA

EX. VIEW DRAWING ****
CABINET ASSEMBLY
DRAW FREEZER



MODEL: ALL MODELS

EX. VIEW DRAWING *****
MACHINE COMPARTMENT



Release Date:
01/11/2011