



ELECTROLUX HOME PRODUCTS PTY LTD

ABN 51 004 762 341

Technical Publication N° DW163

Issue: 1

Date: 7/06

WEB SITE ADDRESS: www.partnship.com.au

***SIMPSON
EZIset
ROTARY CONTROL
DISHWASHERS
J SERIES***

MODELS:

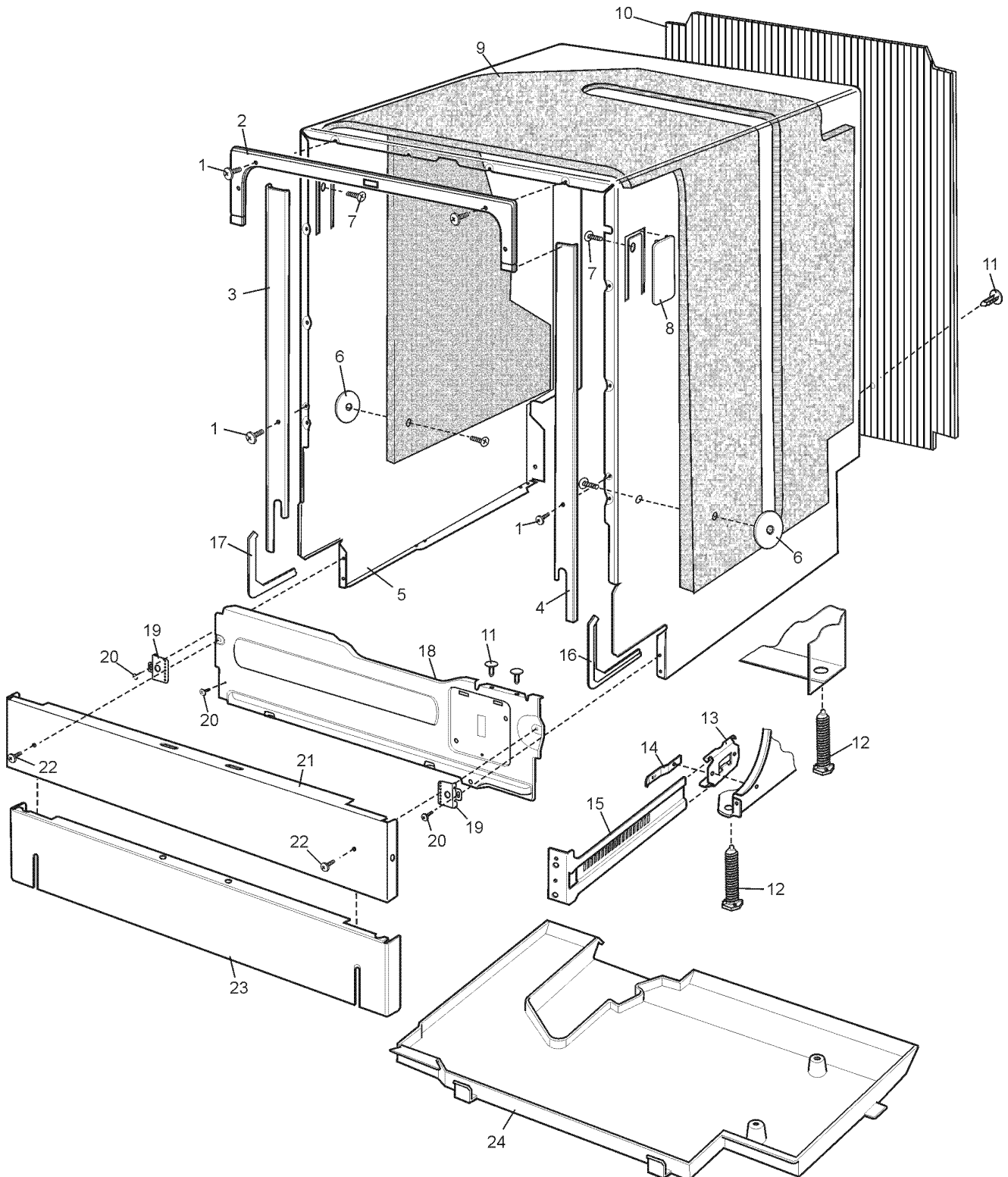
52B850SJ*05

52B850WJ*05

MODELS: 52B850SJ*05

52B850WJ*05

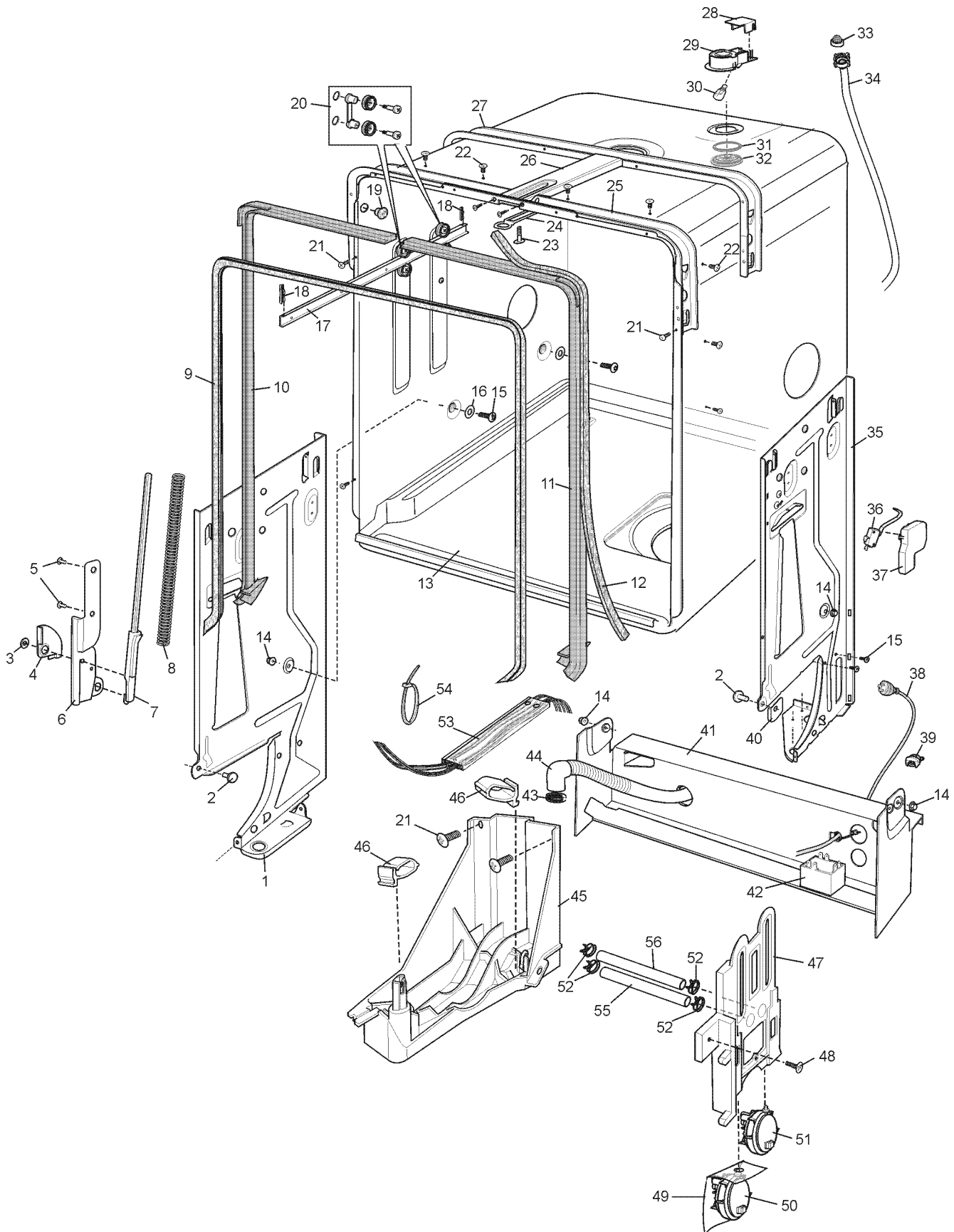
EX. VIEW DRAWING 4350
CABINET and BASE
ASSEMBLY



MODELS: 52B850SJ*05

52B850WJ*05

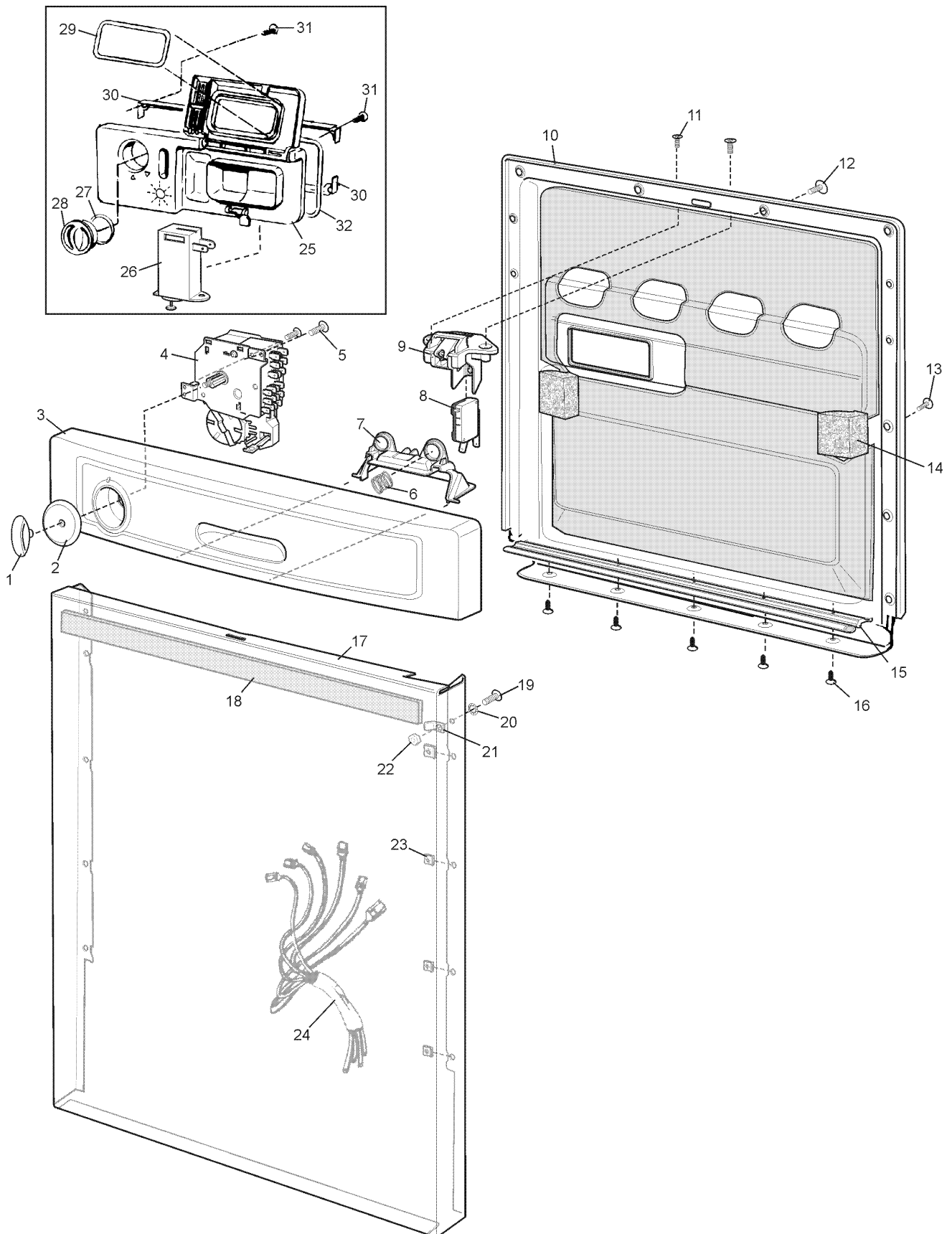
EX. VIEW DRAWING 4365
LINER ASSEMBLY



MODELS: 52B850SJ*05

52B850WJ*05

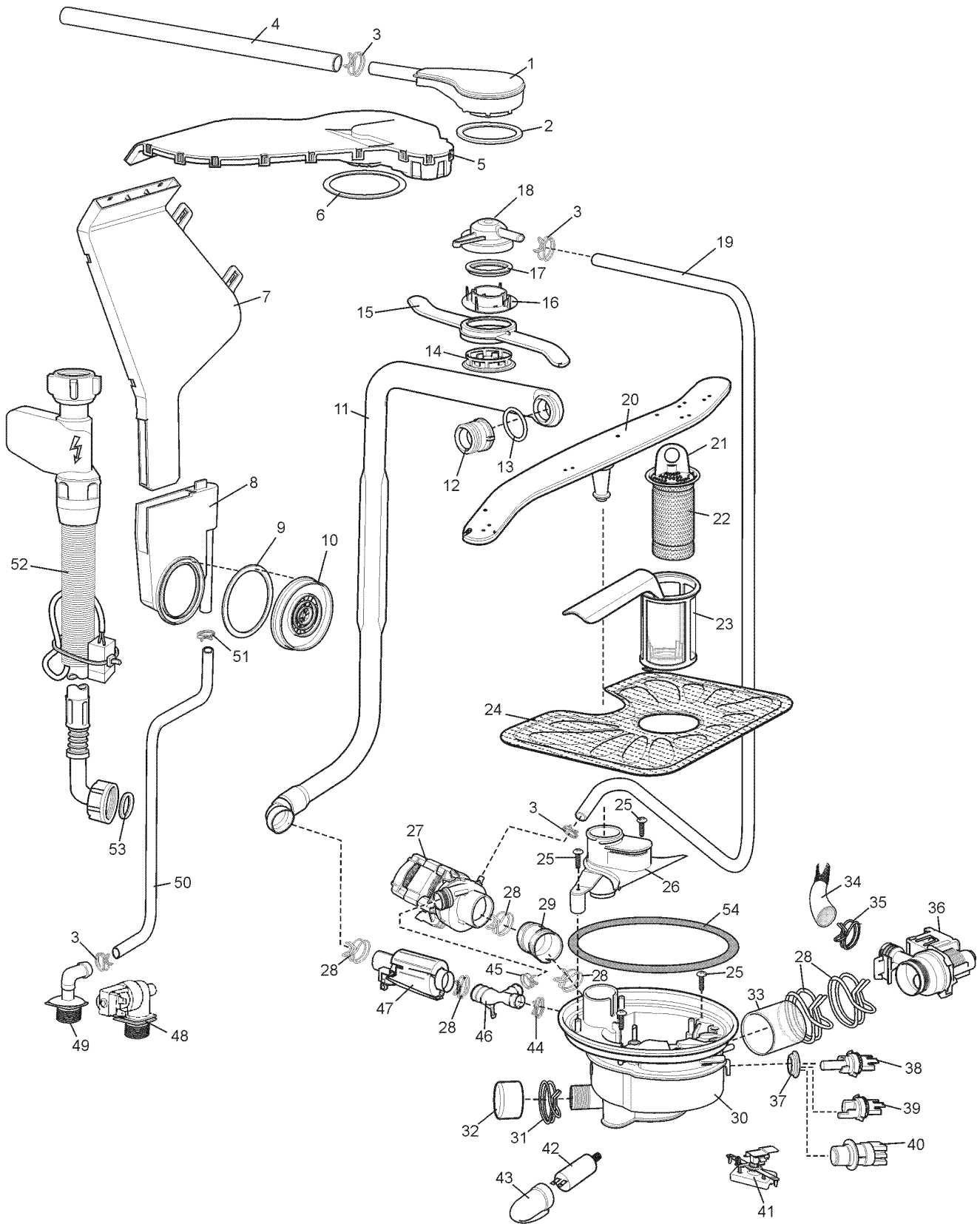
EX. VIEW DRAWING 4381
DOOR ASSEMBLY



MODELS: 52B850SJ*05

52B850WJ*05

EX. VIEW DRAWING 4310
SUMP, PUMP and
WATER SYSTEM



MODELS: 52B850SJ*05

52B850WJ*05

EX. VIEW DRAWING 4303
BASKET ASSEMBLY

