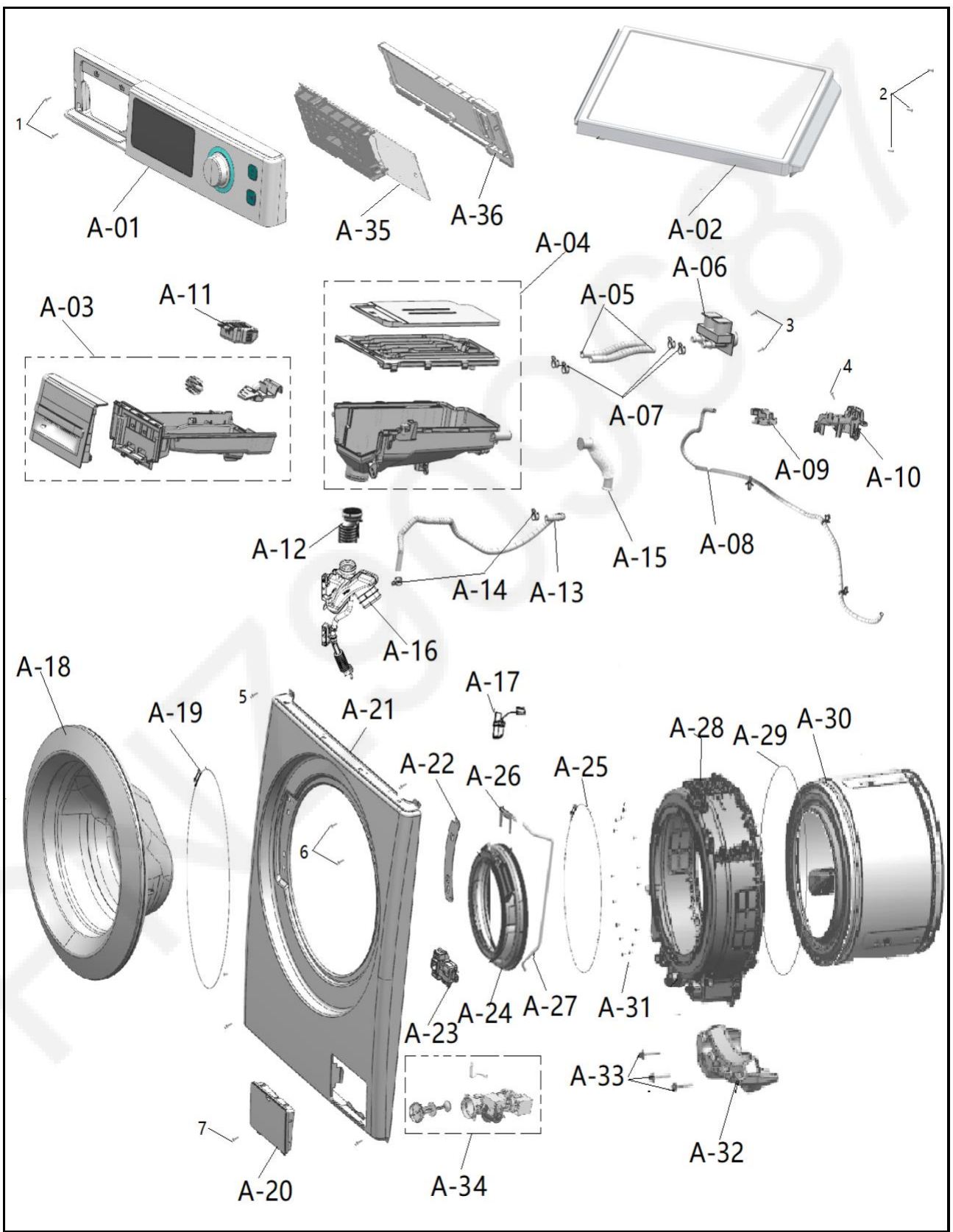


14 LOCATION OF PARTS

LOCATION OF PART-A



LOCATION OF PART-B

