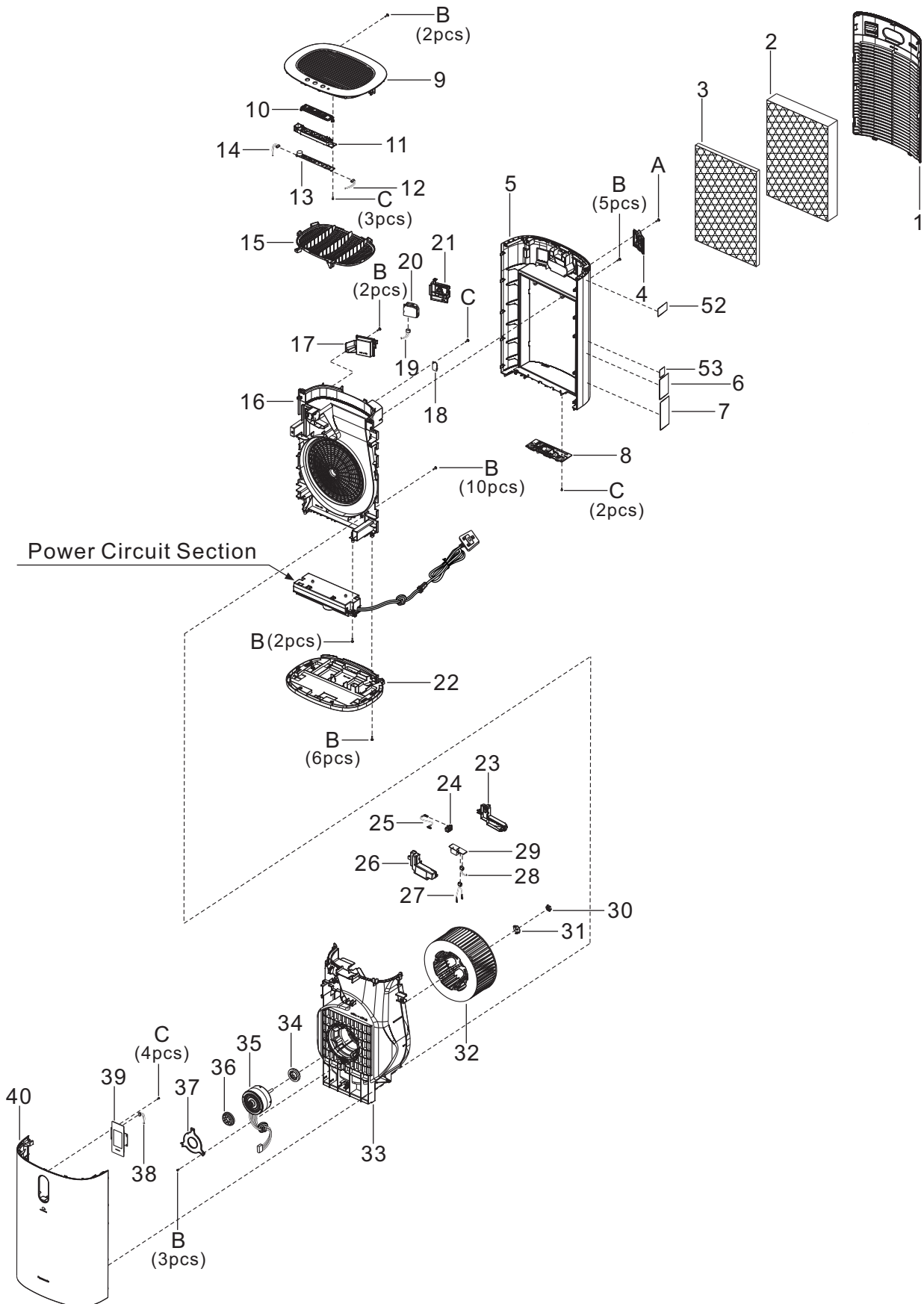


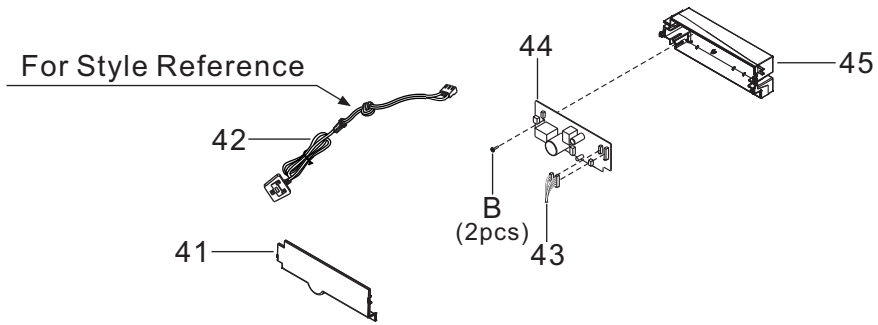
# 2. Parts Identification

## Main Body Section



# 2. Parts Identification

## Power Circuit Section



---

## Packing Section

