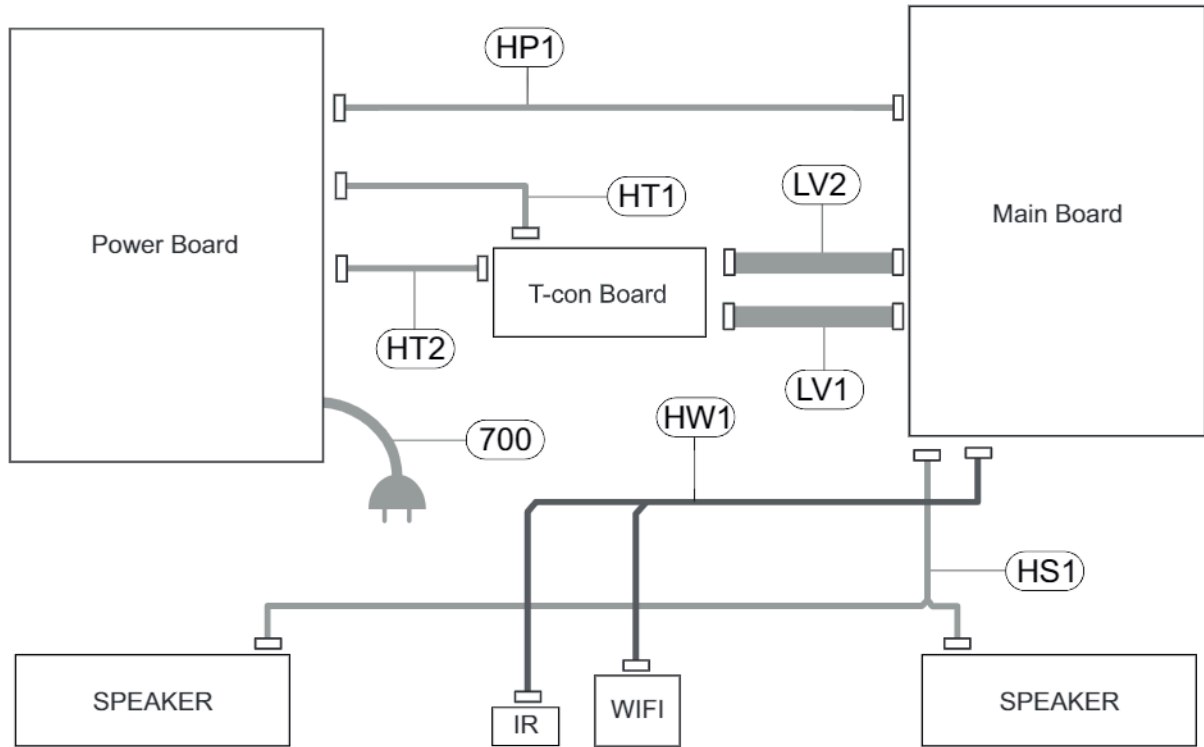


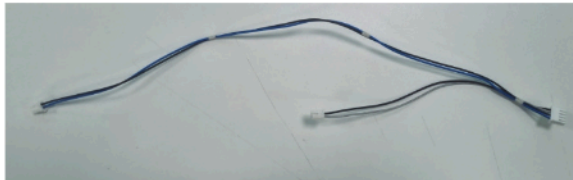
WIRING DIAGRAM



HP1



HS1



HW1



LV2 41Pin

LV1 51Pin

HT1

HT2

