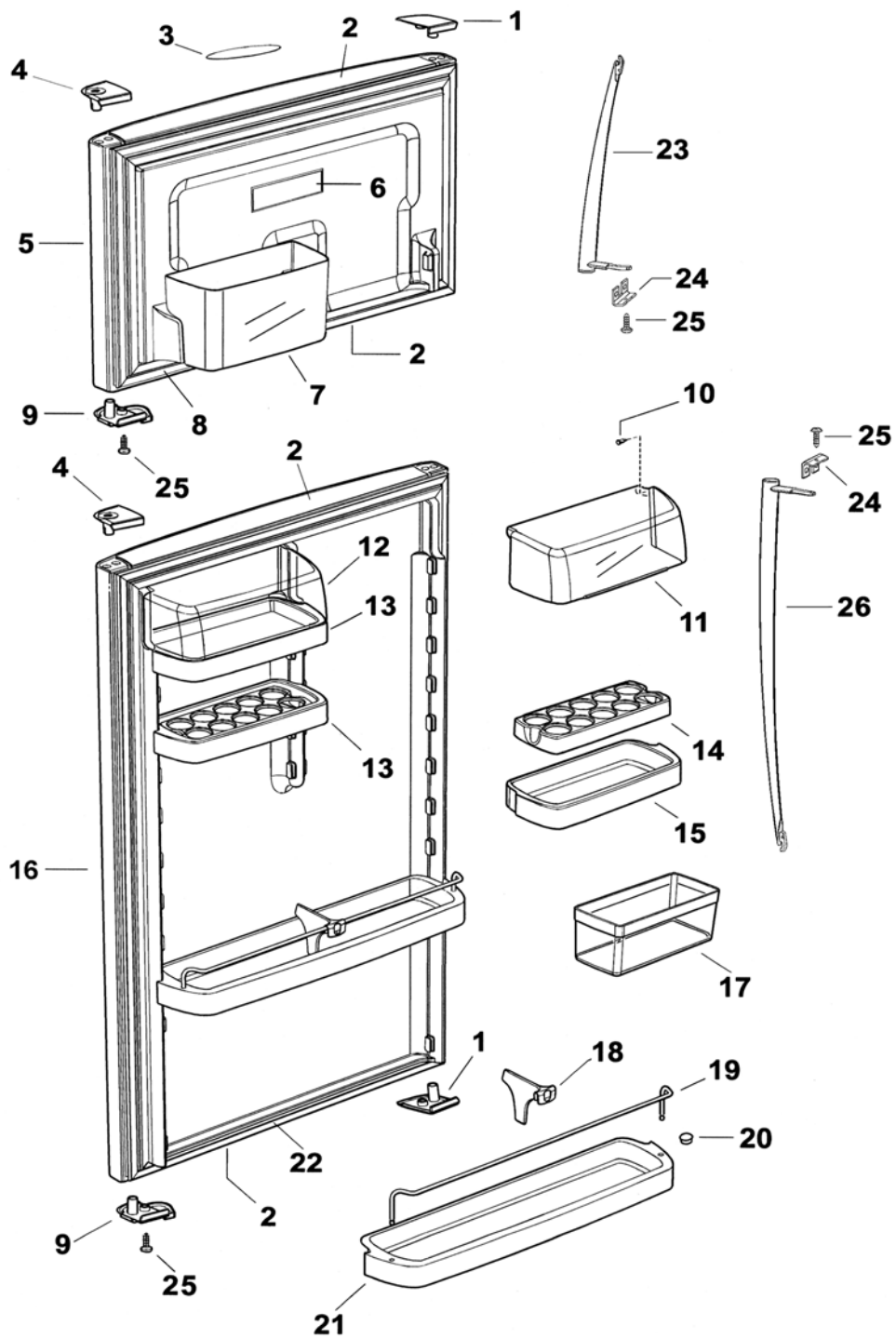
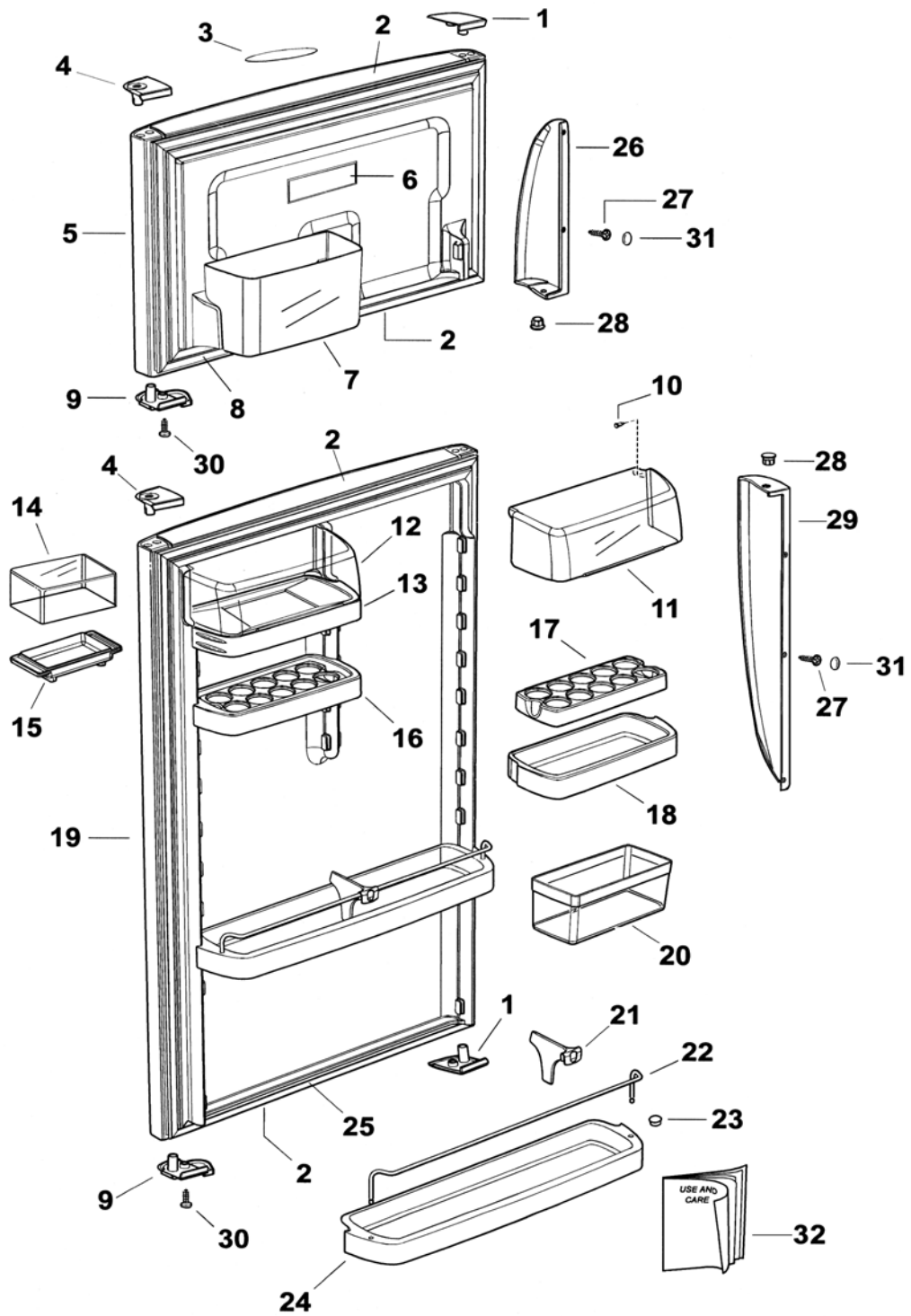


# DOORS - TOP FREEZER WITH BOW METAL HANDLE

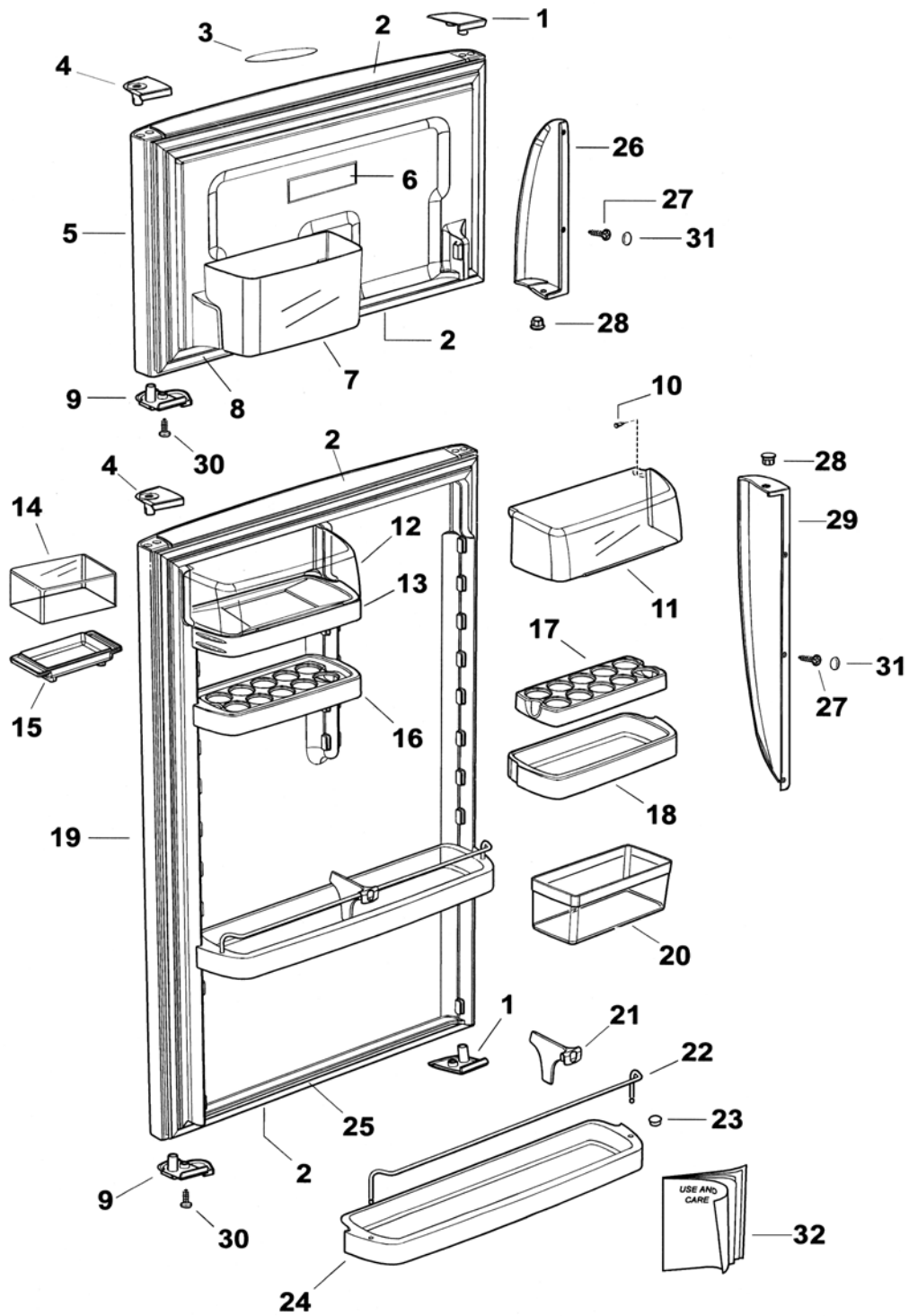




# DOORS - TOP FREEZER WITH CURVED PLASTIC HANDLE

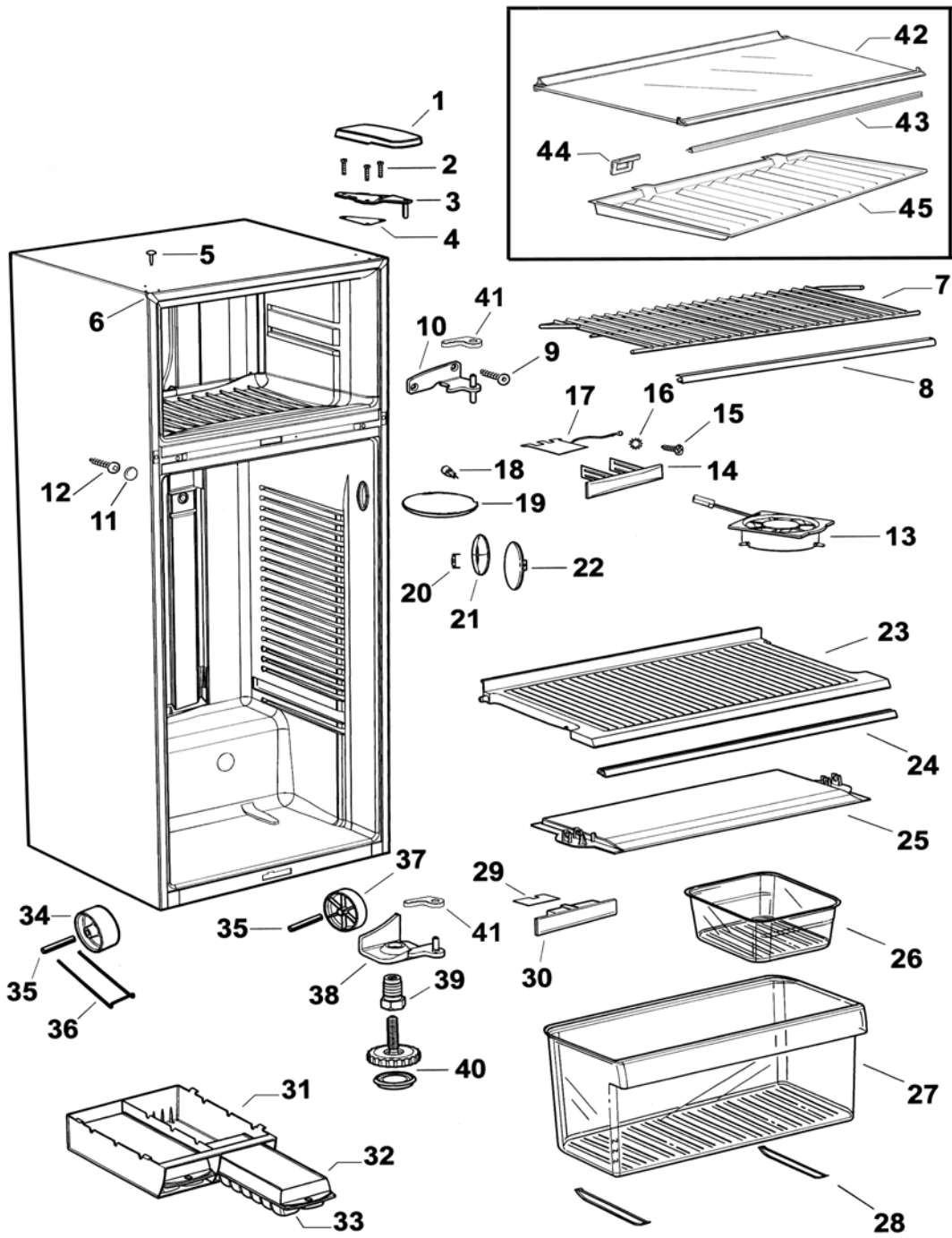


# DOORS - TOP FREEZER WITH CURVED PLASTIC HANDLE

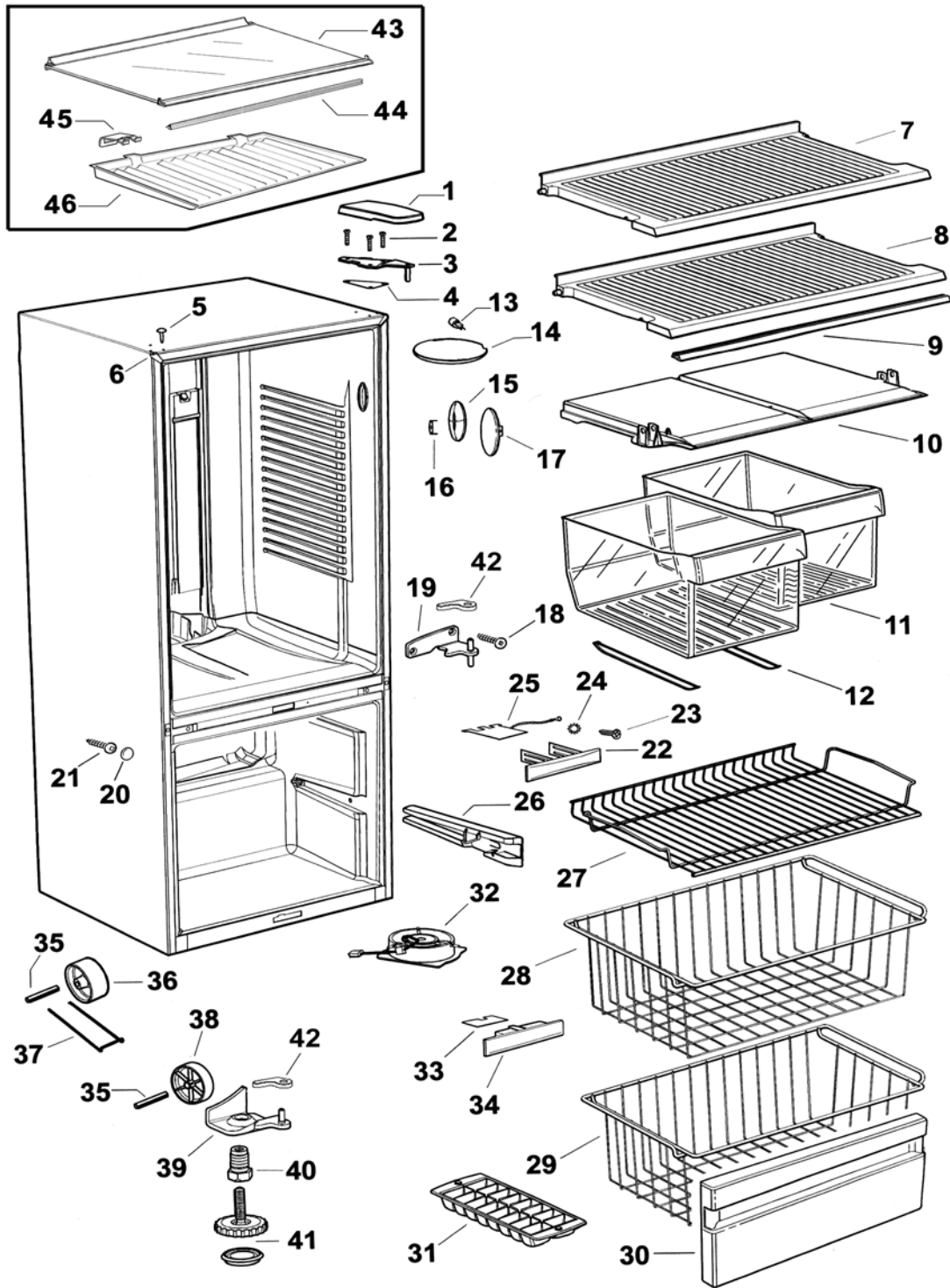




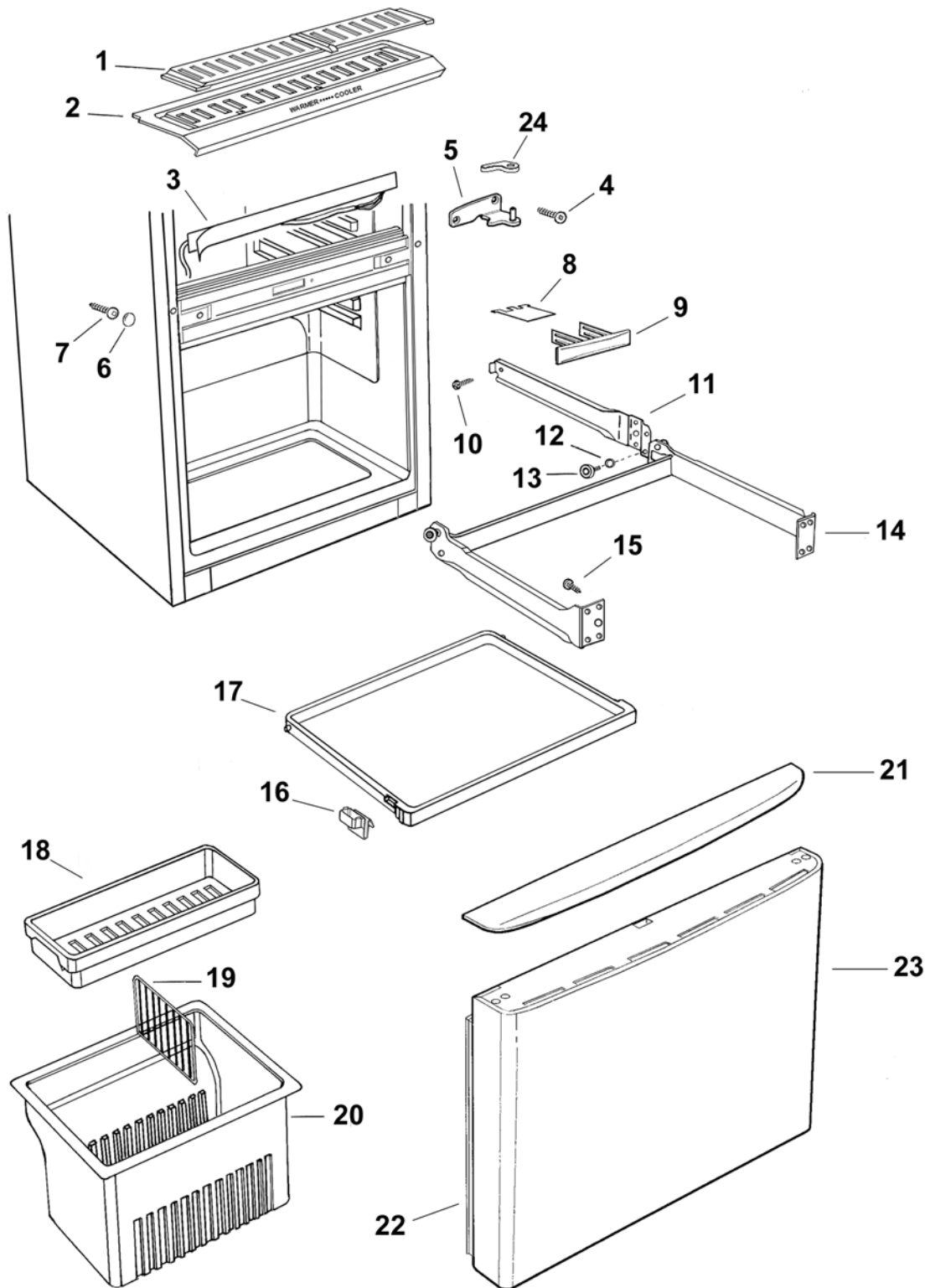
# CABINET - TOP FREEZER



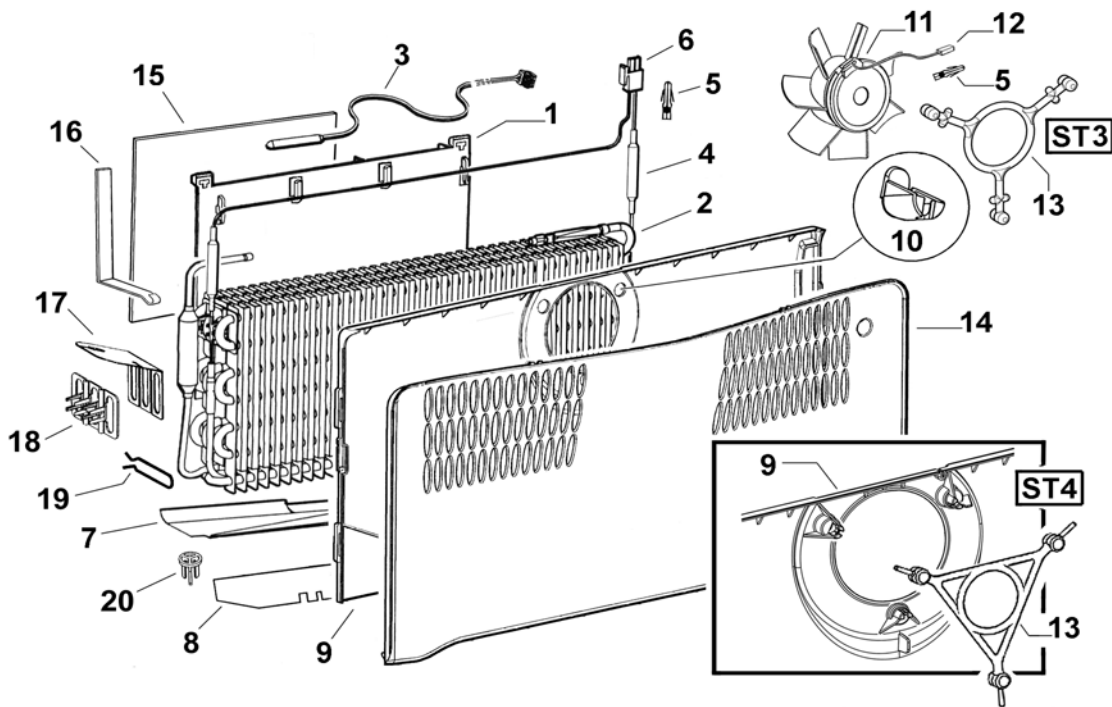
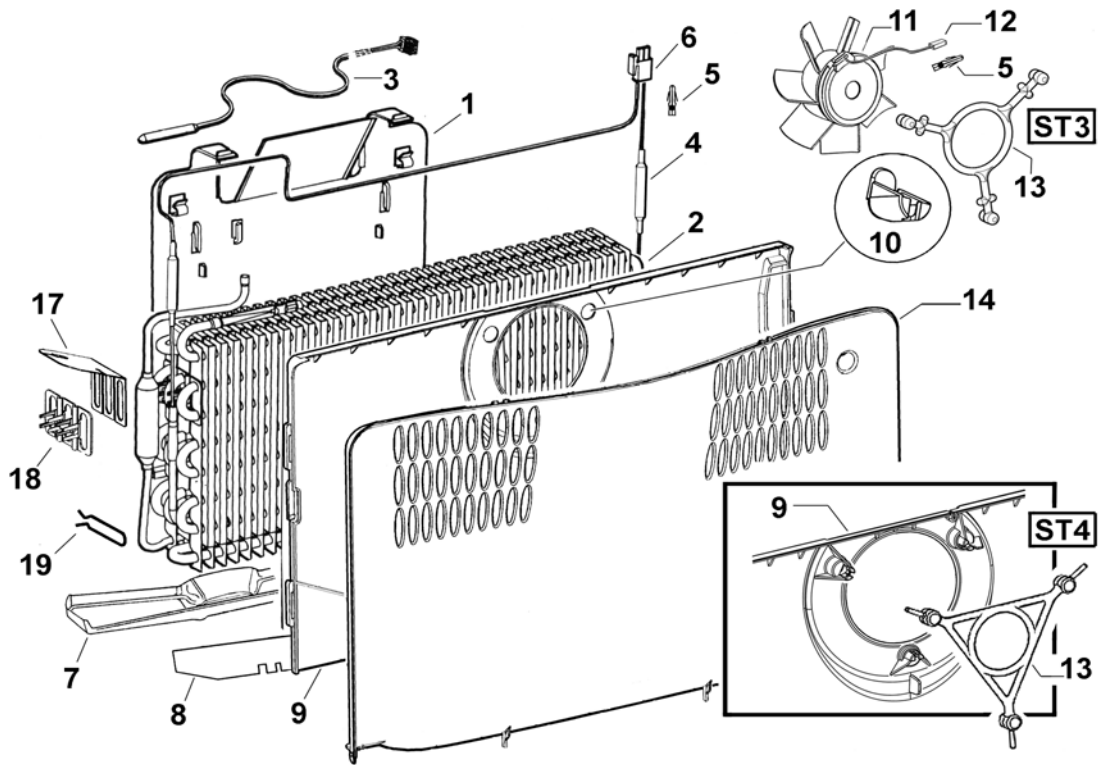
# CABINET - BOTTOM FREEZER



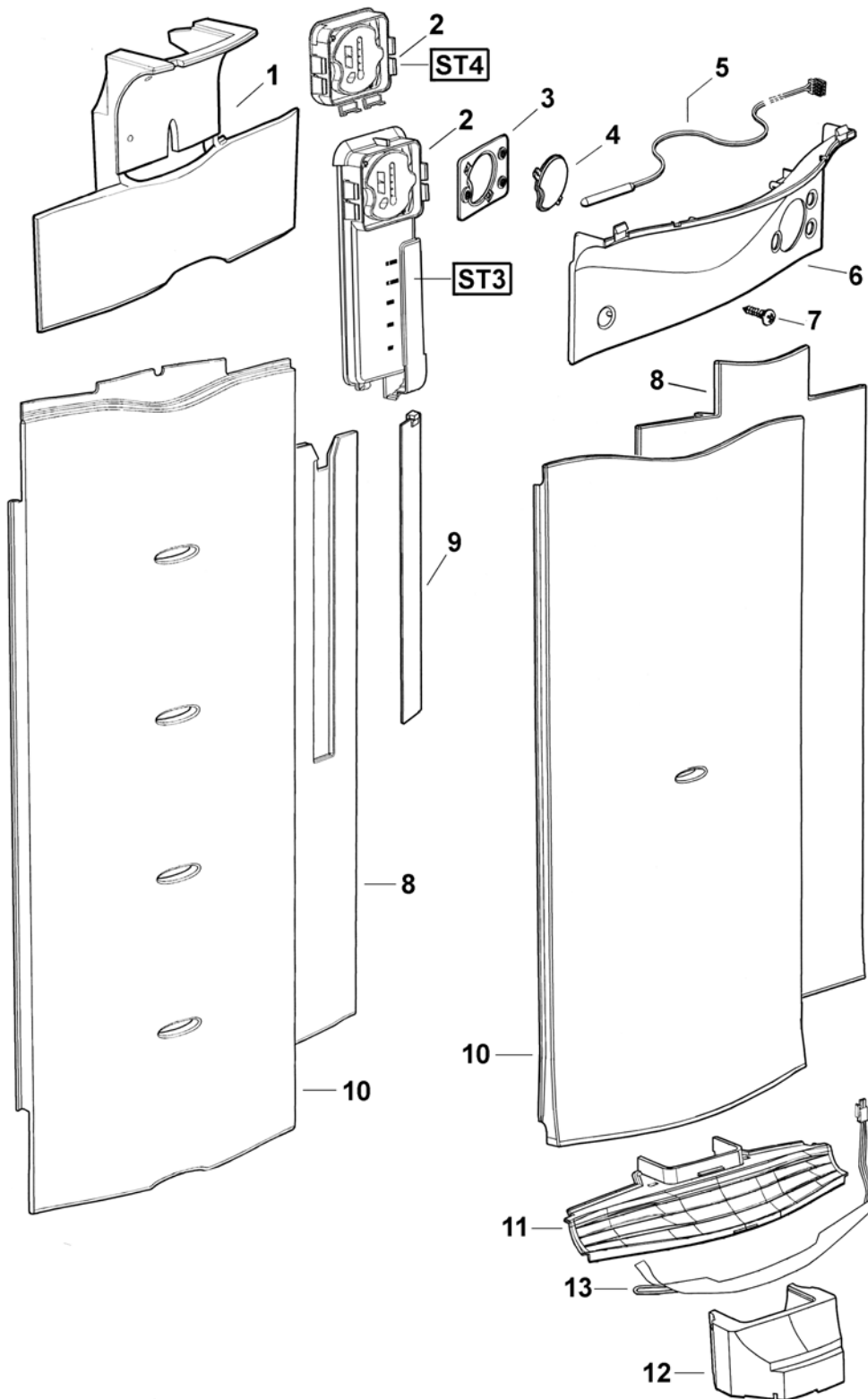
### DRAWER ASSEMBLY - HUMIDITY



# FAN AND EVAPORATOR ASSEMBLIES



# ELECTRONIC MODULE AND DUCT COVERS



# COMPRESSOR AND POWER MODULE

