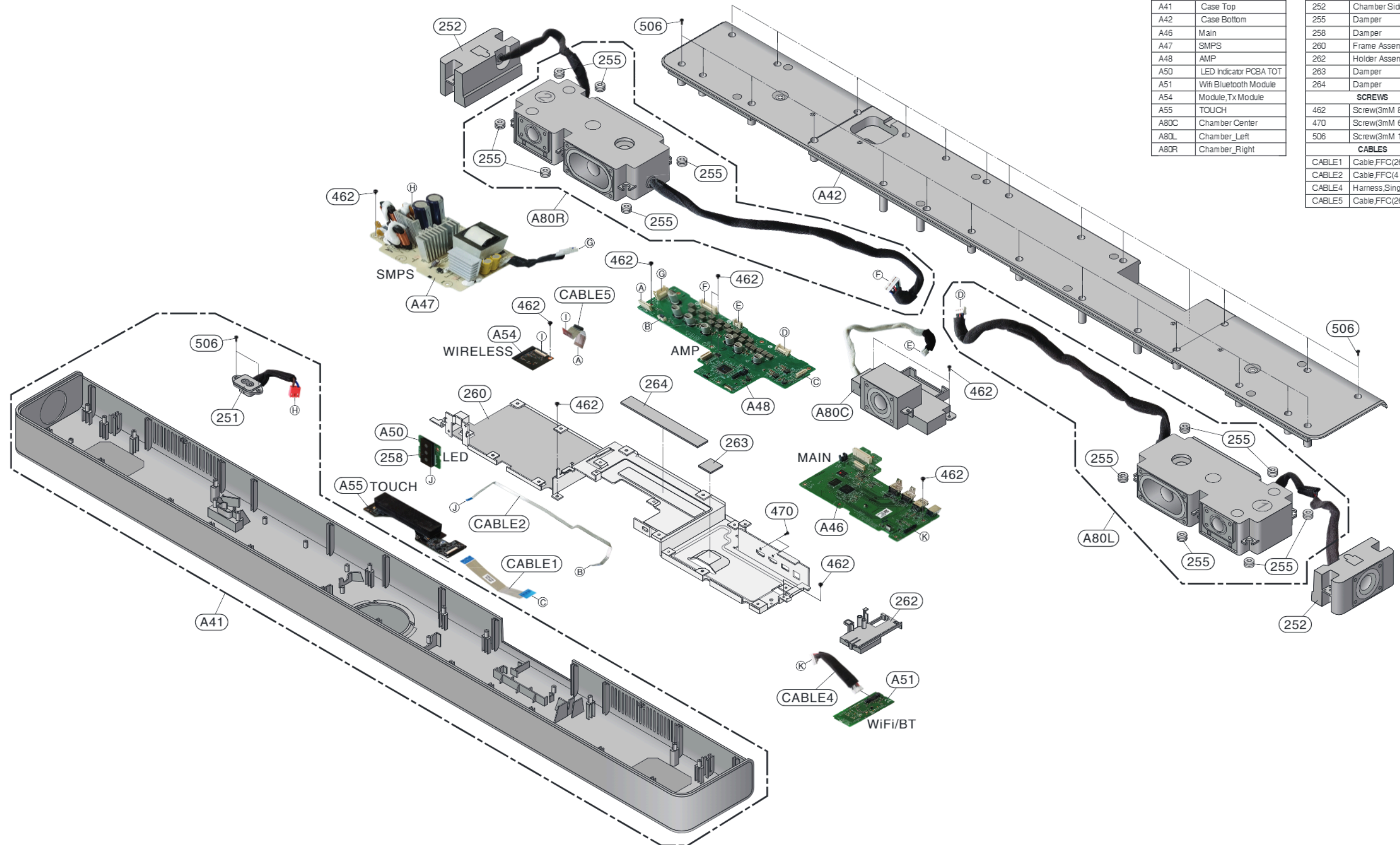


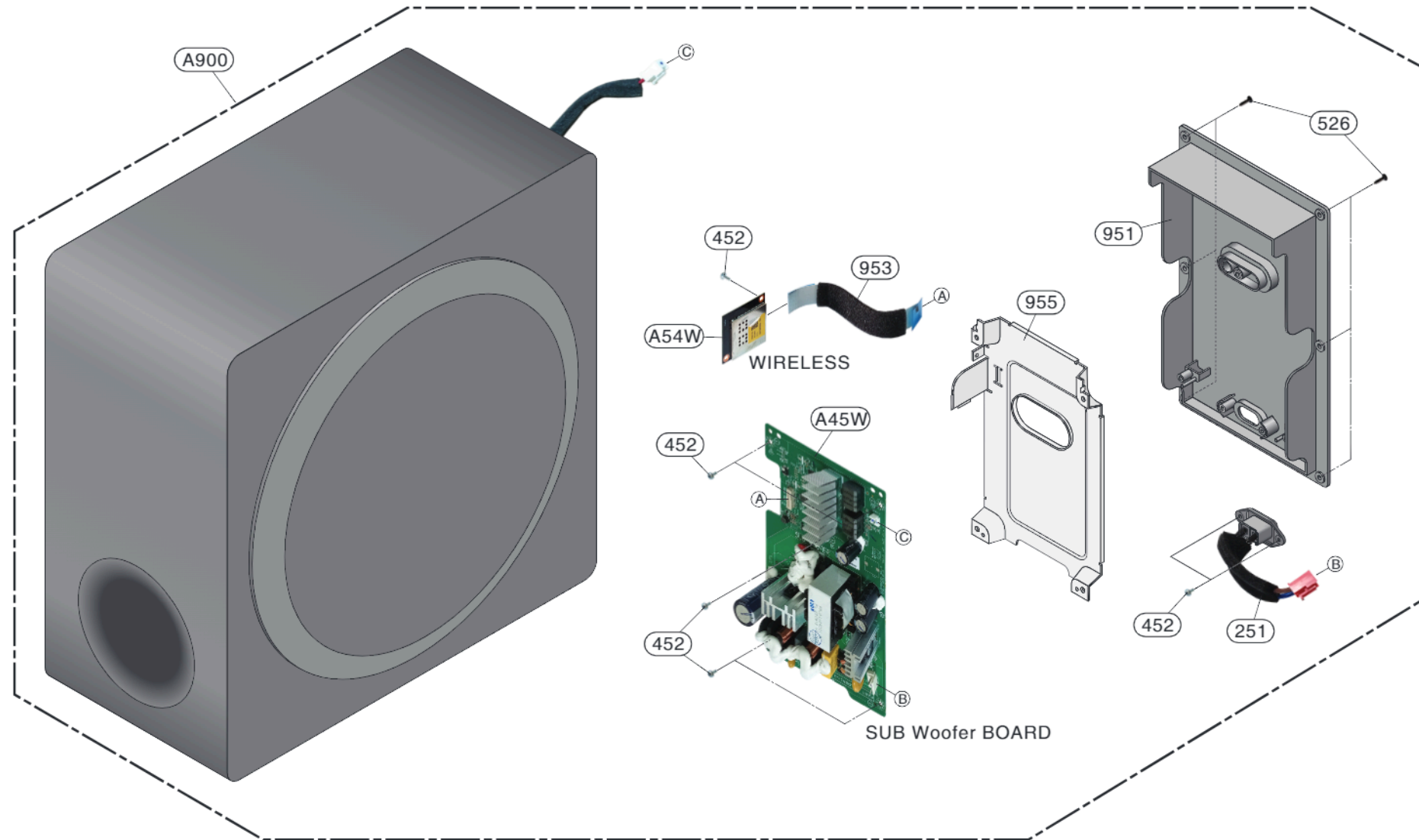
EXPLODED VIEWS

1. MAIN UNIT (S95TR) SECTION



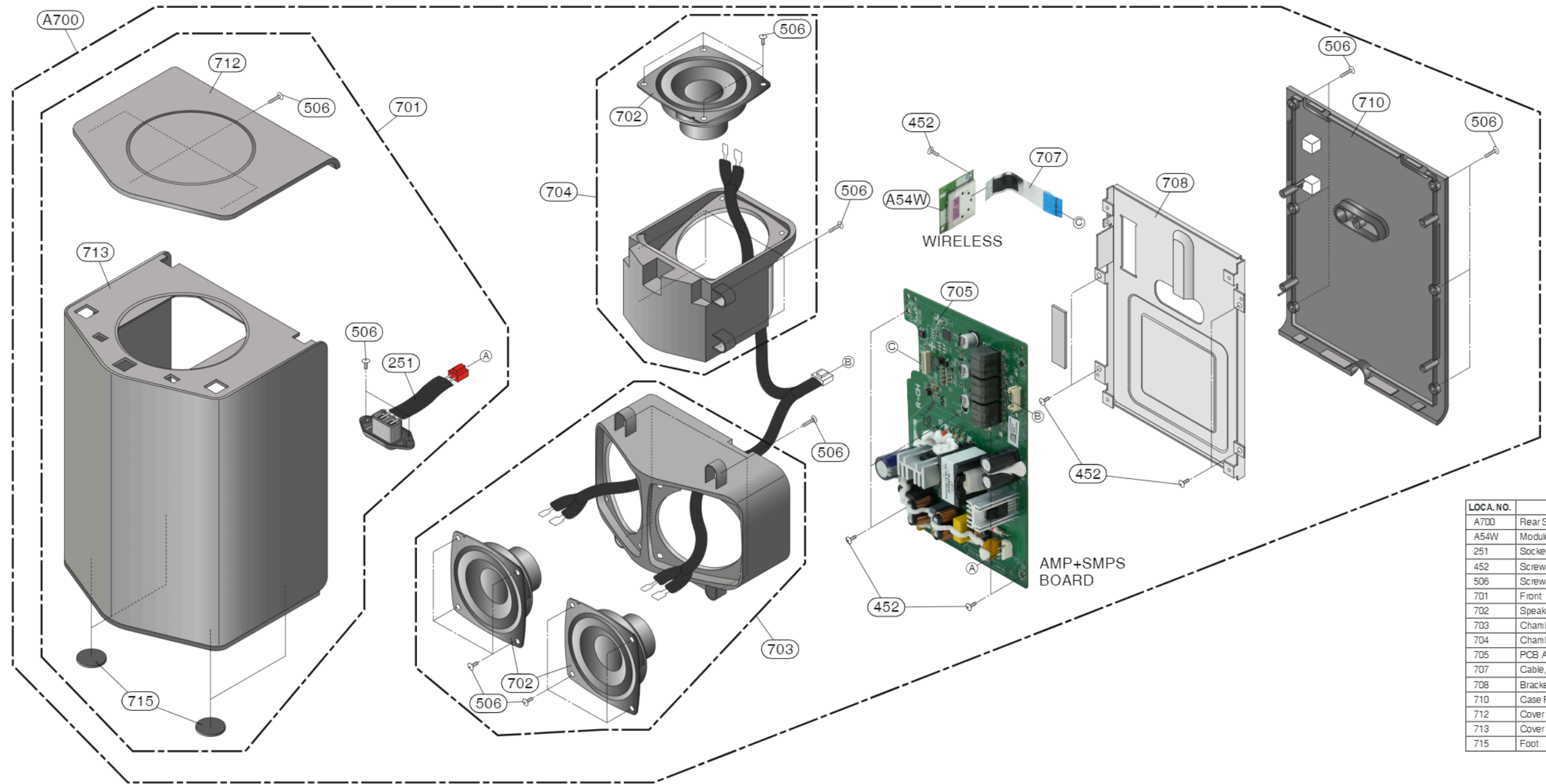
| LOCA. NO. | REMARKS | INDIVISUAL PARTS | |
|-----------------------|------------------------|---------------------|--|
| ASSEMBLY PARTS | | | |
| A41 | Case Top | 251 Socket,Power | |
| A42 | Case Bottom | 252 Chamber Side | |
| A46 | Main | 255 Damper | |
| A47 | SMPS | 258 Damper | |
| A48 | AMP | 260 Frame Assembly | |
| A50 | LED Indicator PCBA TOT | 262 Holder Assembly | |
| A51 | Wifi Bluetooth Module | 263 Damper | |
| A54 | Module, Tx Module | 264 Damper | |
| A55 | TOUCH | SCREWS | |
| A80C | Chamber Center | 462 Screw(3mM 8mM) | |
| A80L | Chamber_Left | 470 Screw(3mM 6mM) | |
| A80R | Chamber_Right | 506 Screw(3mM 12mM) | |
| CABLES | | | |
| CABLE1 | Cable,FFC(26 P) | | |
| CABLE2 | Cable,FFC(4 P) | | |
| CABLE4 | Harness,Single | | |
| CABLE5 | Cable,FFC(26 P) | | |

2. WIRELESS SUBWOOFER (SPT8-W) SECTION



| LOCA. NO. | REMARKS |
|-----------|----------------------|
| A900 | Active Woofer |
| A45W | AMP+SMPS |
| A54W | Module, Rx Module |
| 251 | Socket, Power |
| 951 | Panel Assembly, Rear |
| 953 | Cable, FFC(26 P) |
| 955 | Frame |
| 452 | Screw(3mM 10mM) |
| 526 | Screw(3.5mM 16mM) |

3. WIRELESS REAR_LEFT SPEAKER (SPT9-SL) SECTION



| LOCA. NO. | REMARKS |
|-----------|---------------------|
| A700 | Rear Speaker_Left |
| A54W | Module,Rx Module |
| 251 | Socket,Power |
| 452 | Screw(3mM 10mM) |
| 506 | Screw(3mM 12mM) |
| 701 | Front |
| 702 | Speaker,Woofe |
| 703 | Chamber Front Assy |
| 704 | Chamber Top Assy |
| 705 | PCB Assembly |
| 707 | Cable,FFC(26 P) |
| 708 | Bracket |
| 710 | Case Rear Assy Left |
| 712 | Cover |
| 713 | Cover |
| 715 | Foot |

5. PACKING ACCESSORY SECTION

