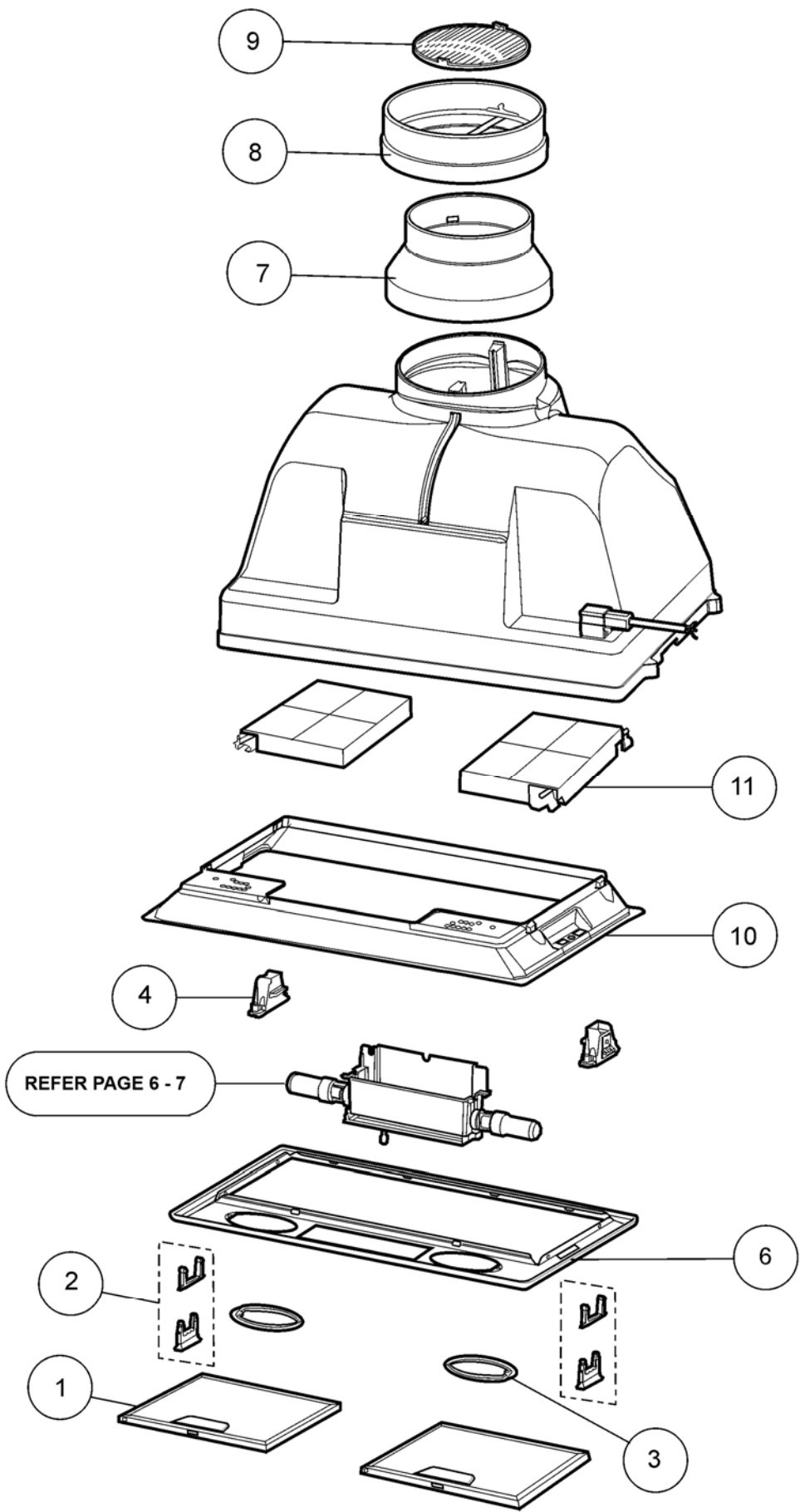
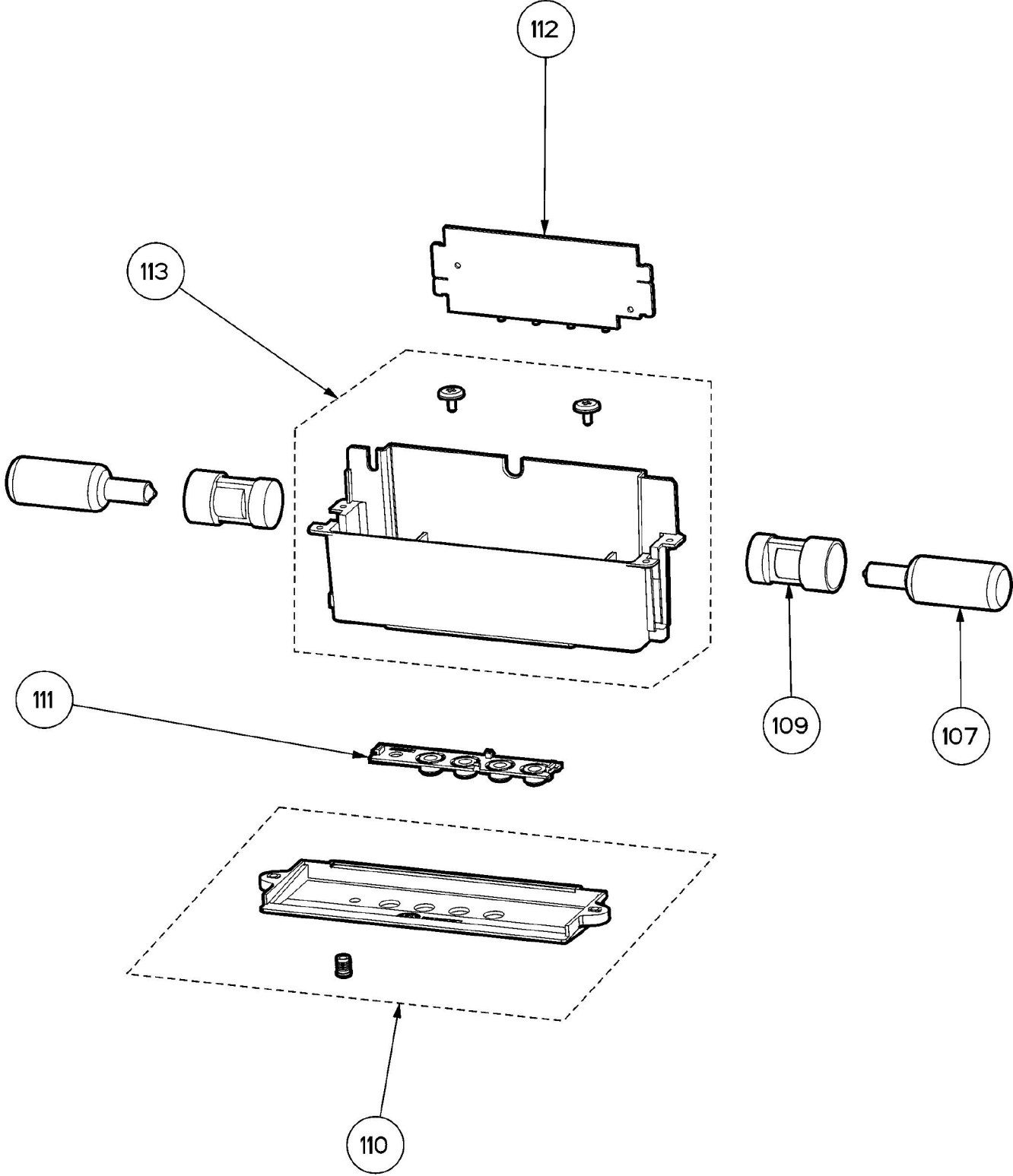


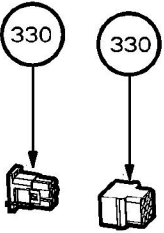
# **Completed document**

Model: ERI712SA

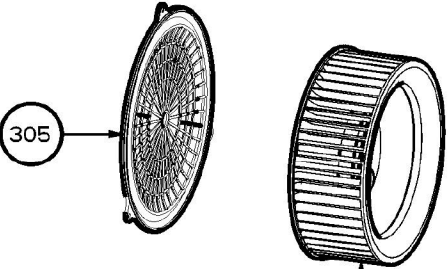
PNC: 94200129700







307

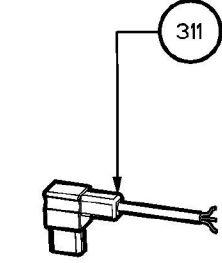


305

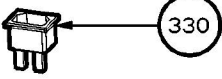
304



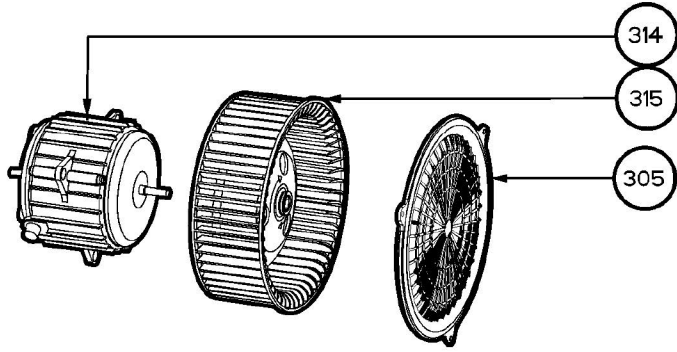
301



311



330



314

315

305



301

