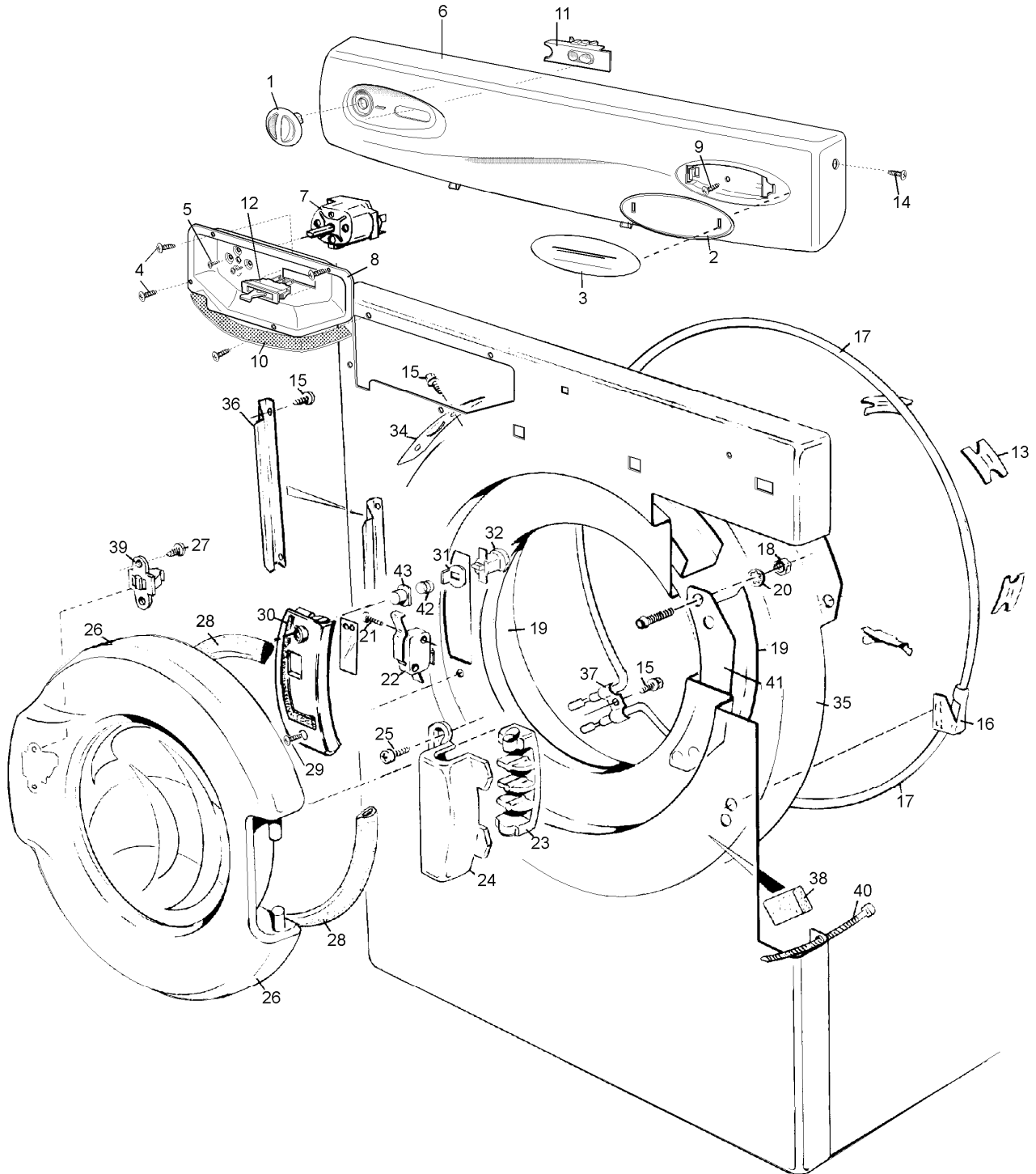


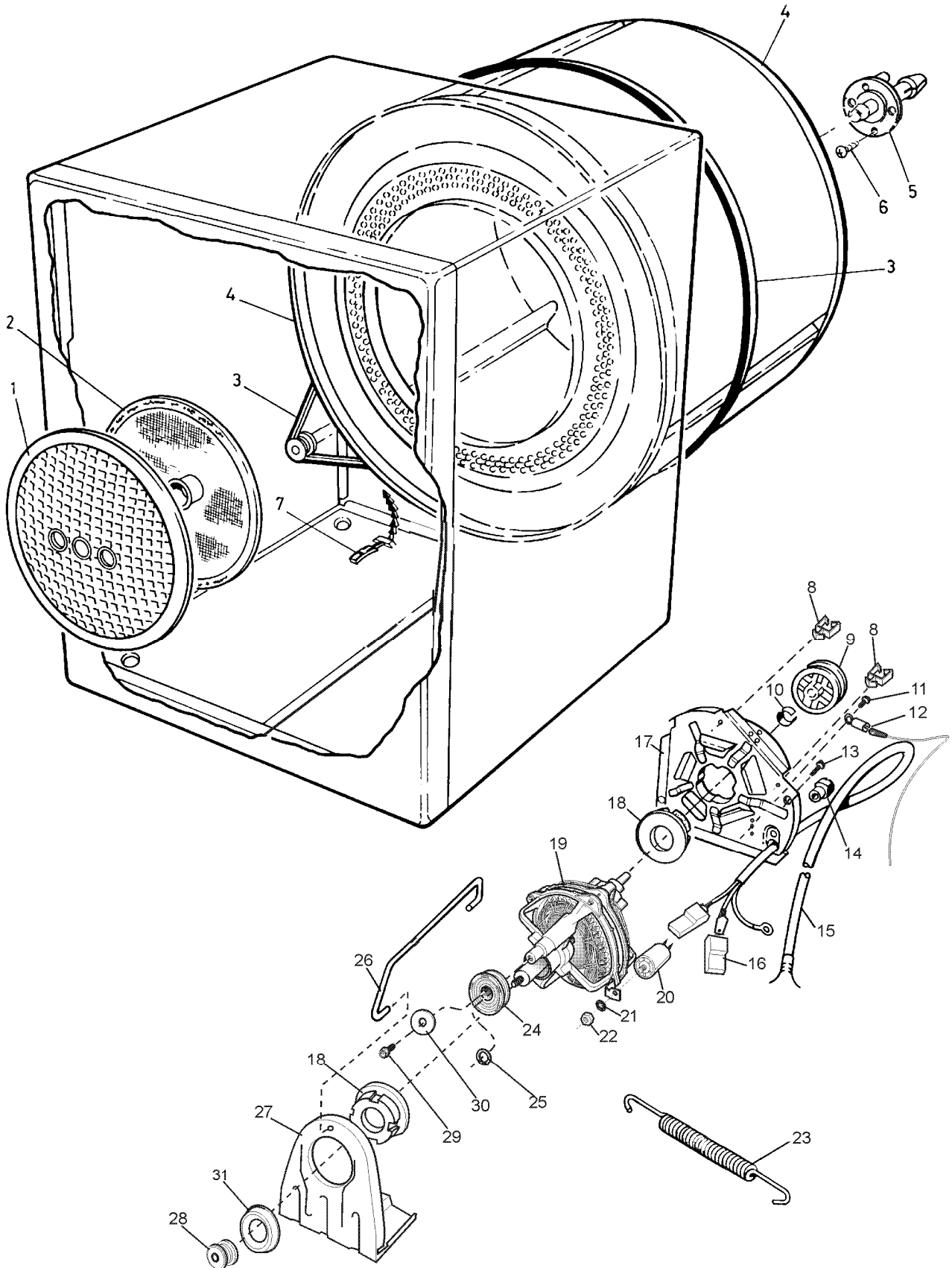
MODELS: 39P350K*01, *02
39P450K*01, *02
39S455K*01, *02

EX. VIEW DRAWING 2853
FRONT PANEL ASSEMBLY



MODELS: 39P350K*01, *02; 39P450K*01, *02
39S455K*01, *02; 39S500K*01, *02

EX. VIEW DRAWING 3022
WRAP, DRUM and
MOTOR ASSEMBLY



MODELS: 39P350K*01, *02; 39P450K*01, *02
39S455K*01, *02; 39S500K*01, *02

EX. VIEW DRAWING 2791
BACK PANEL ASSEMBLY

