

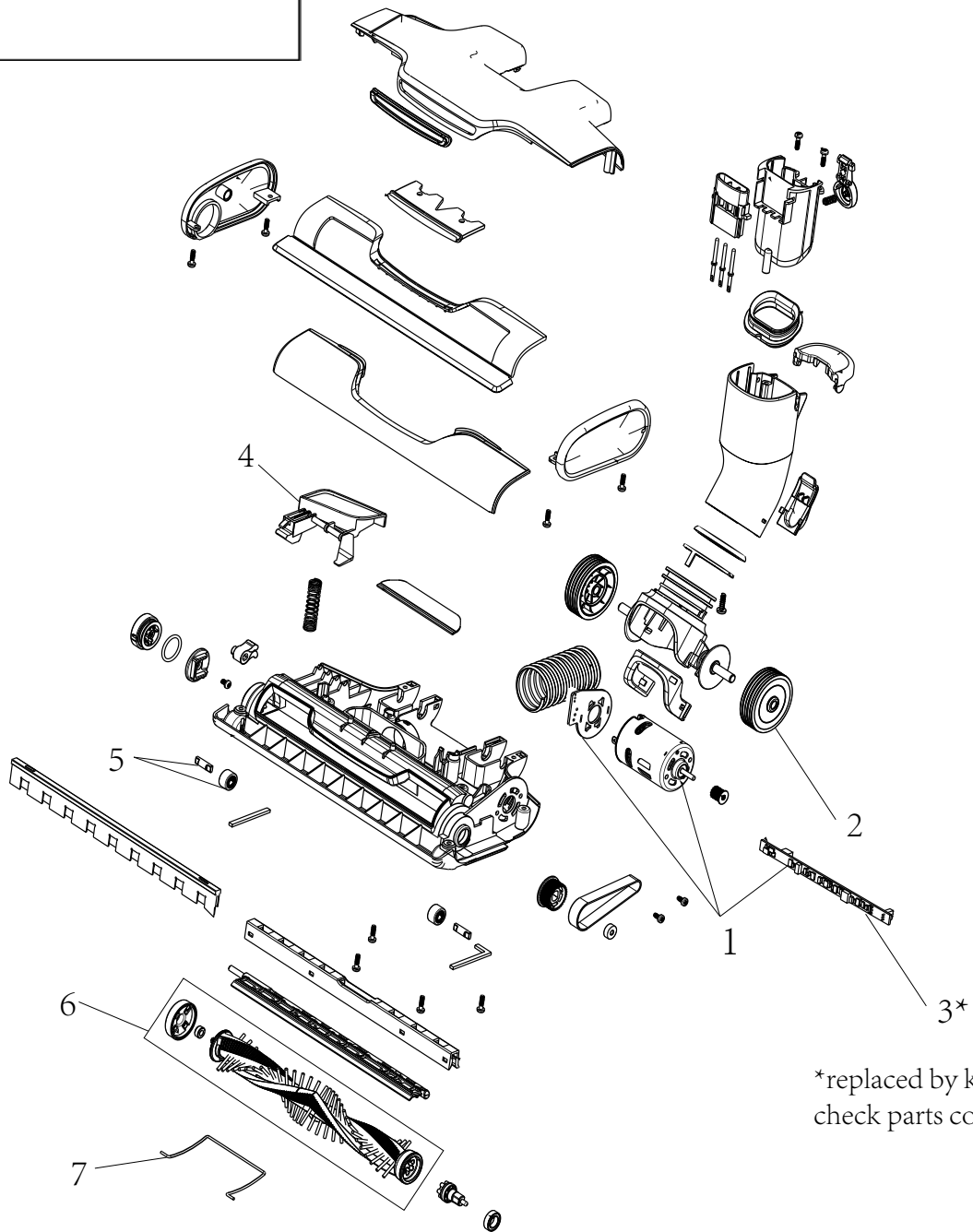
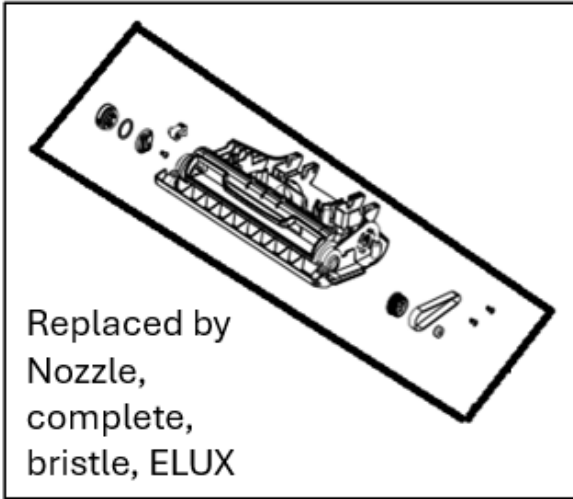
# **Completed document**

Model: EFP91813

PNC: 90027940200

PHIPPONZ00A

May show more parts than really exist!



\*replaced by kit motor+PCB,  
check parts comment

PHIPPO001

May show more parts than really exist!

