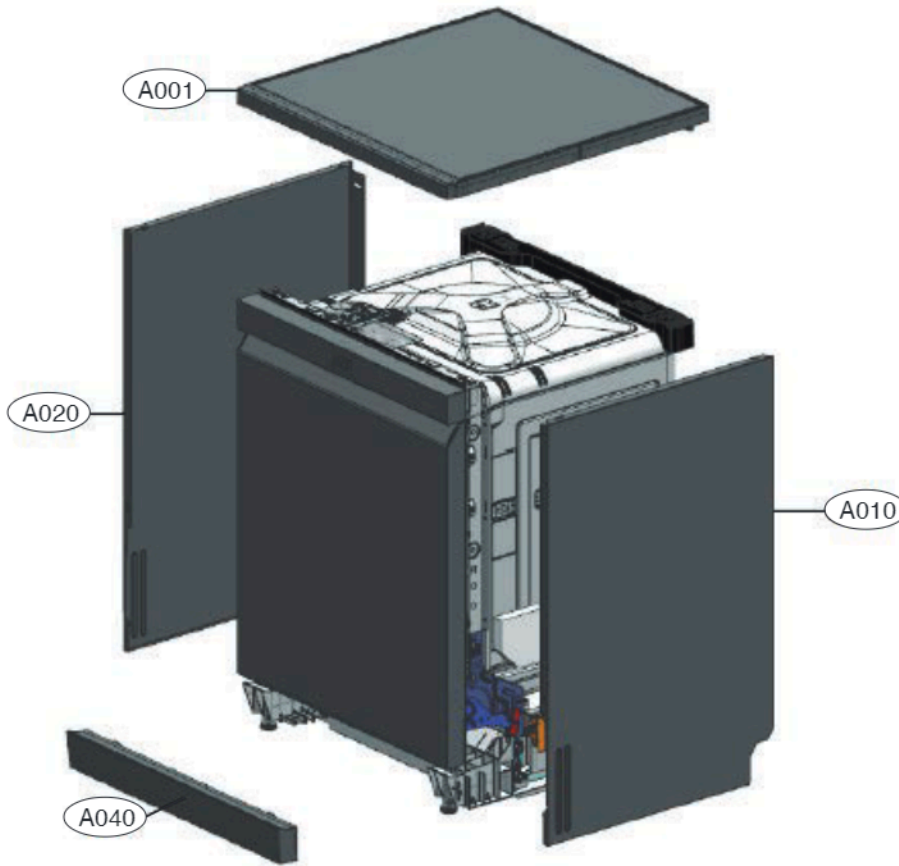




12. Exploded View

Free Standing

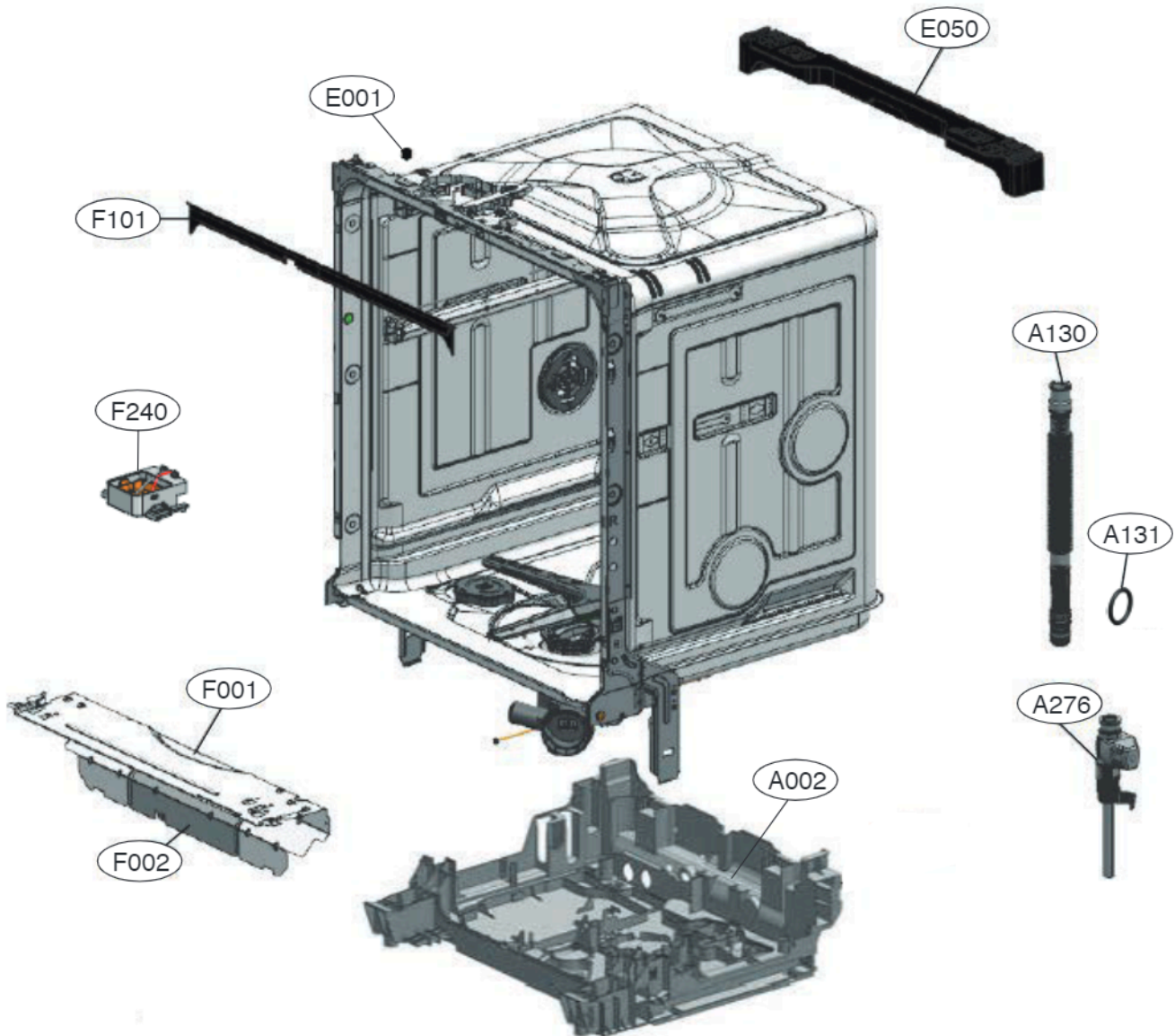
MODEL : XD3*15**/XD3*25**/XD2*25**



ACCESSORIES					
E202		E005		E006	A007
Side Cabinet Strip	Lower Cover Strip	Front Cover Strip	Lower Damper	Funnel (All models)	



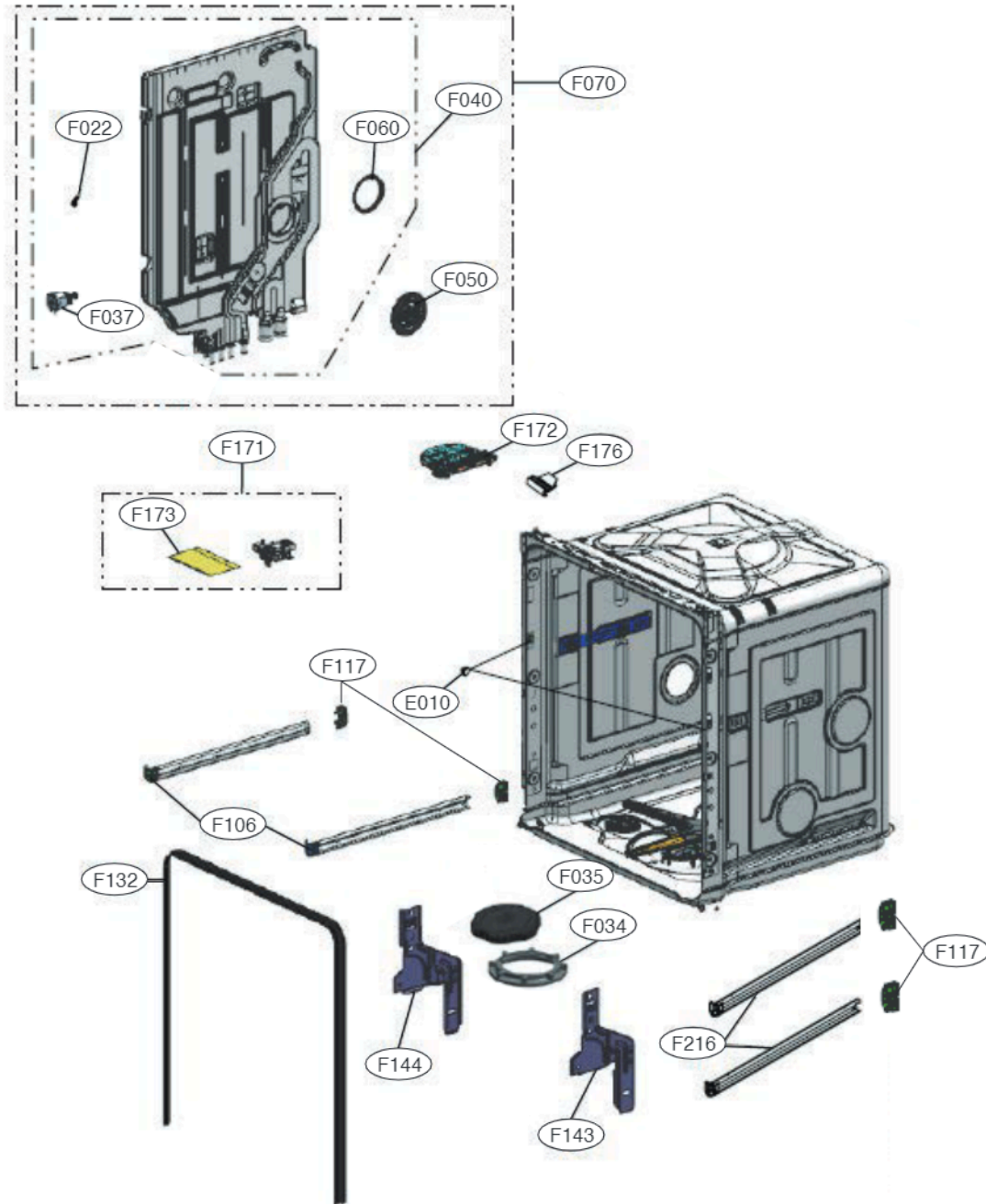
MODEL : XD2*25**





■ Tub Assembly

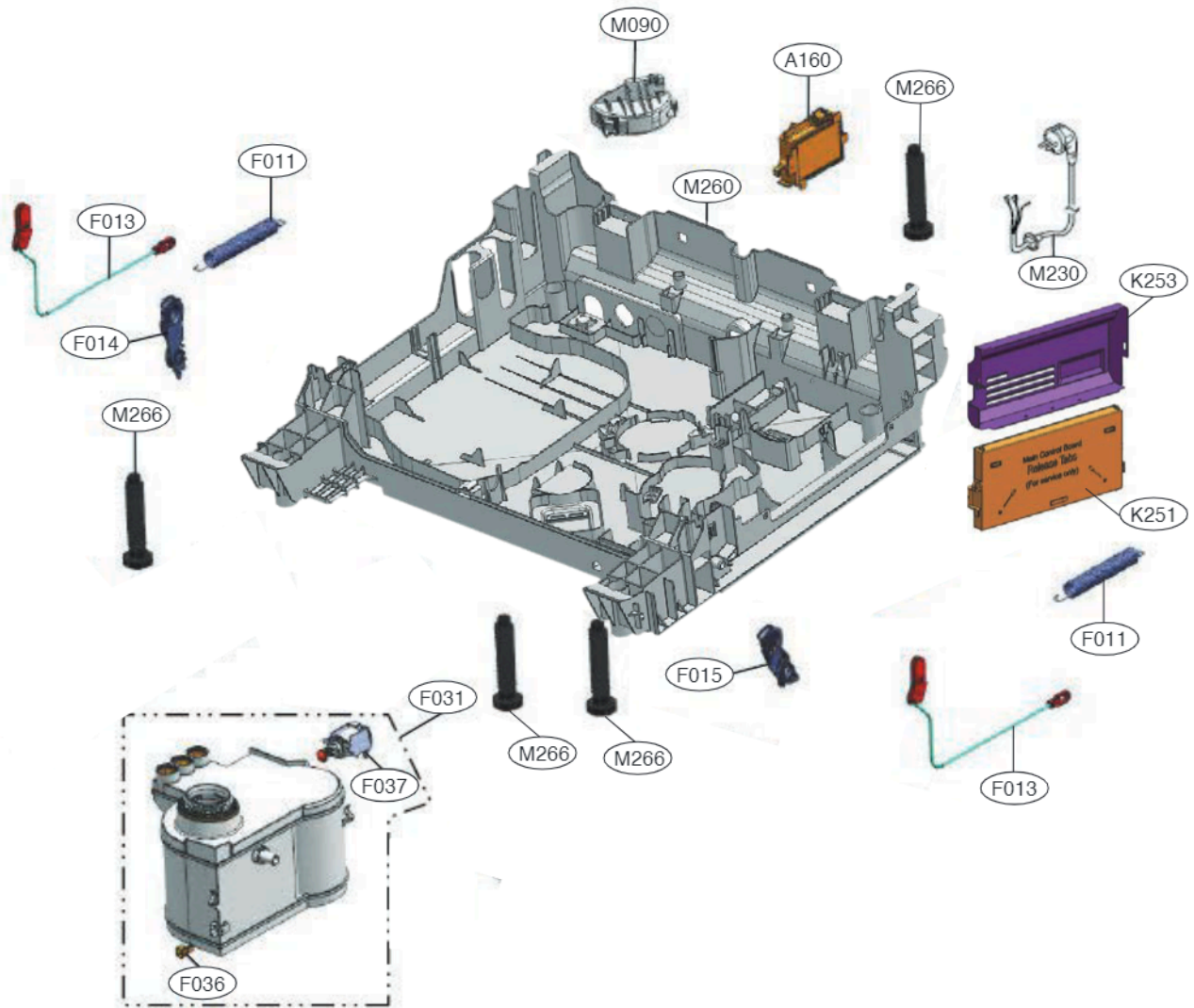
MODEL : XD3*15**/XD3*25**/XD3*25U**/XD2*25**





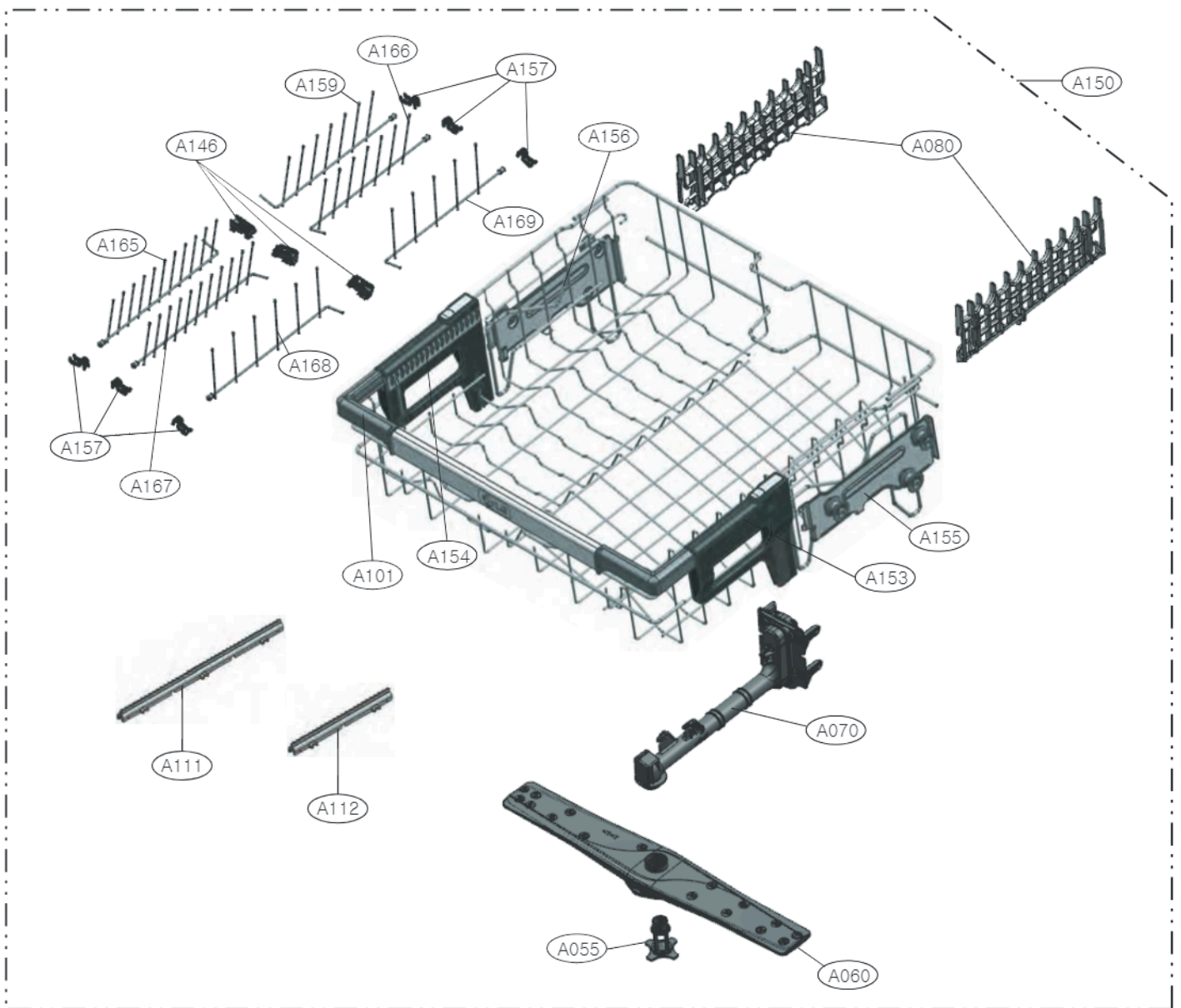
■ Base Assembly

MODEL : XD3*15**/XD3*25**/ XD4*14**/XD4*15**/XD4*24**/XD5*14**/
XD5*24**/XD2*25**





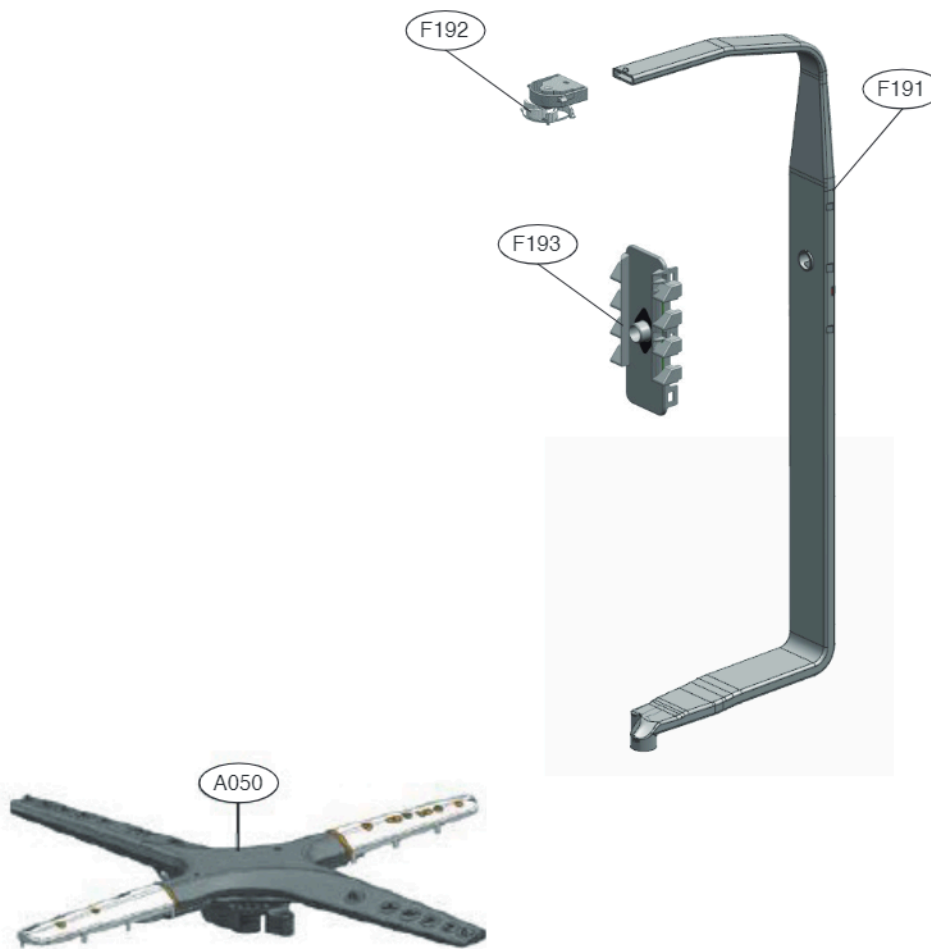
■ Upper Rack Assembly MODEL : XD2*25**





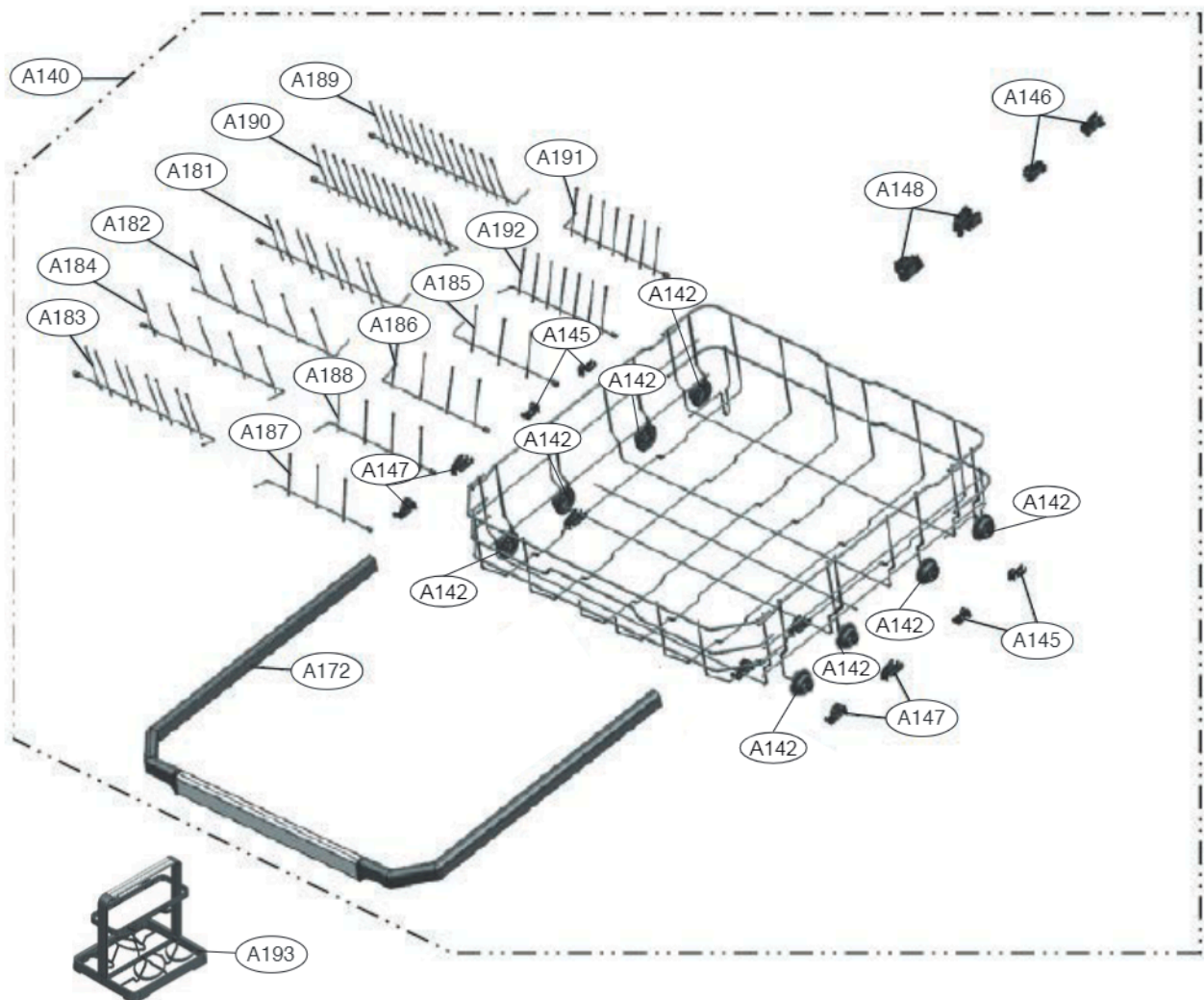
■ Water Guide Assembly

MODEL : XD3*15**/XD4*14**/XD4*15**/ XD5*14**/XD5*24**/XD2*25**





■ Lower Rack Assembly MODEL : XD2





■ 3rd Rack Assembly

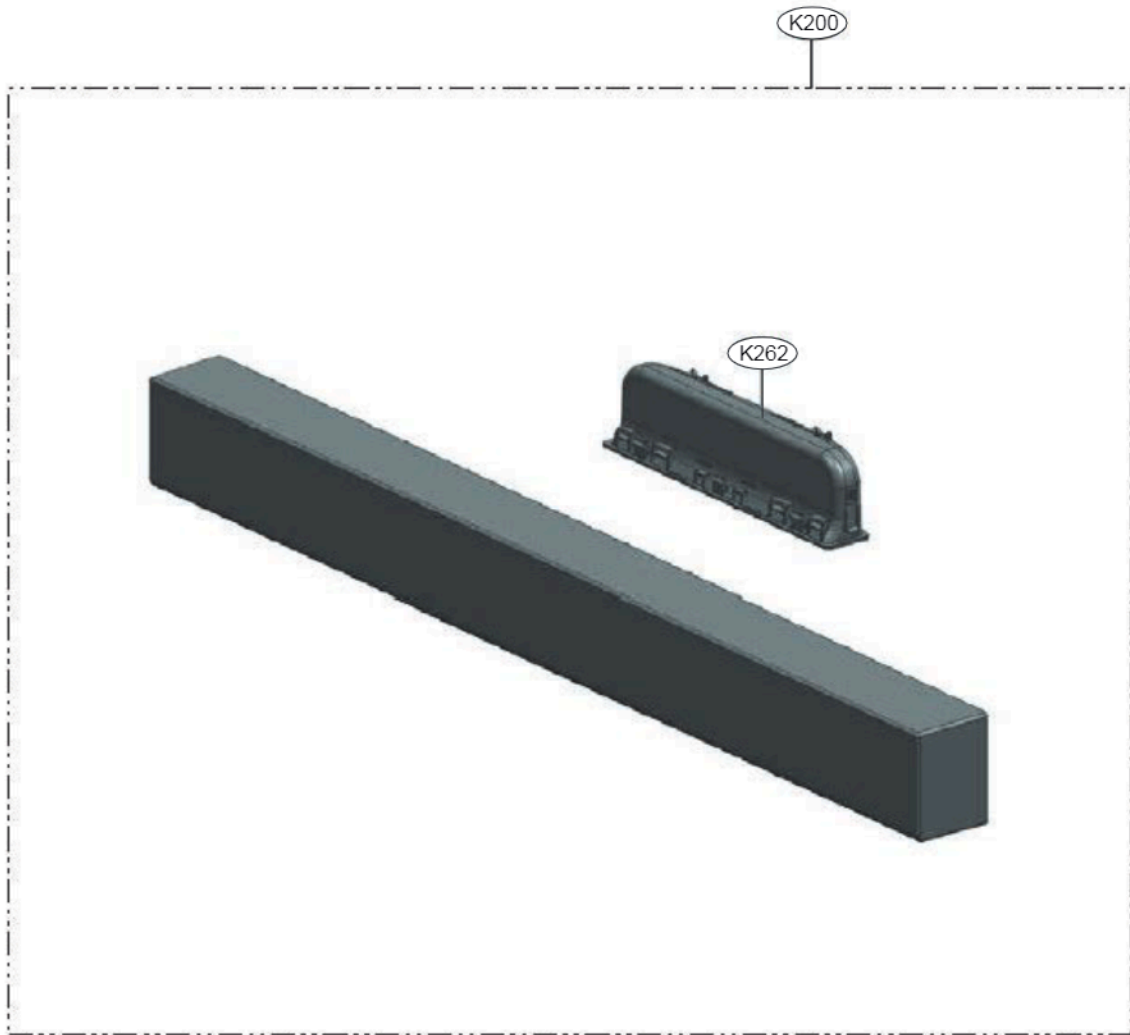
MODEL : XD3*15**/XD3*25**/XD3*25U**/XD4*15**/XD2*25**



A170

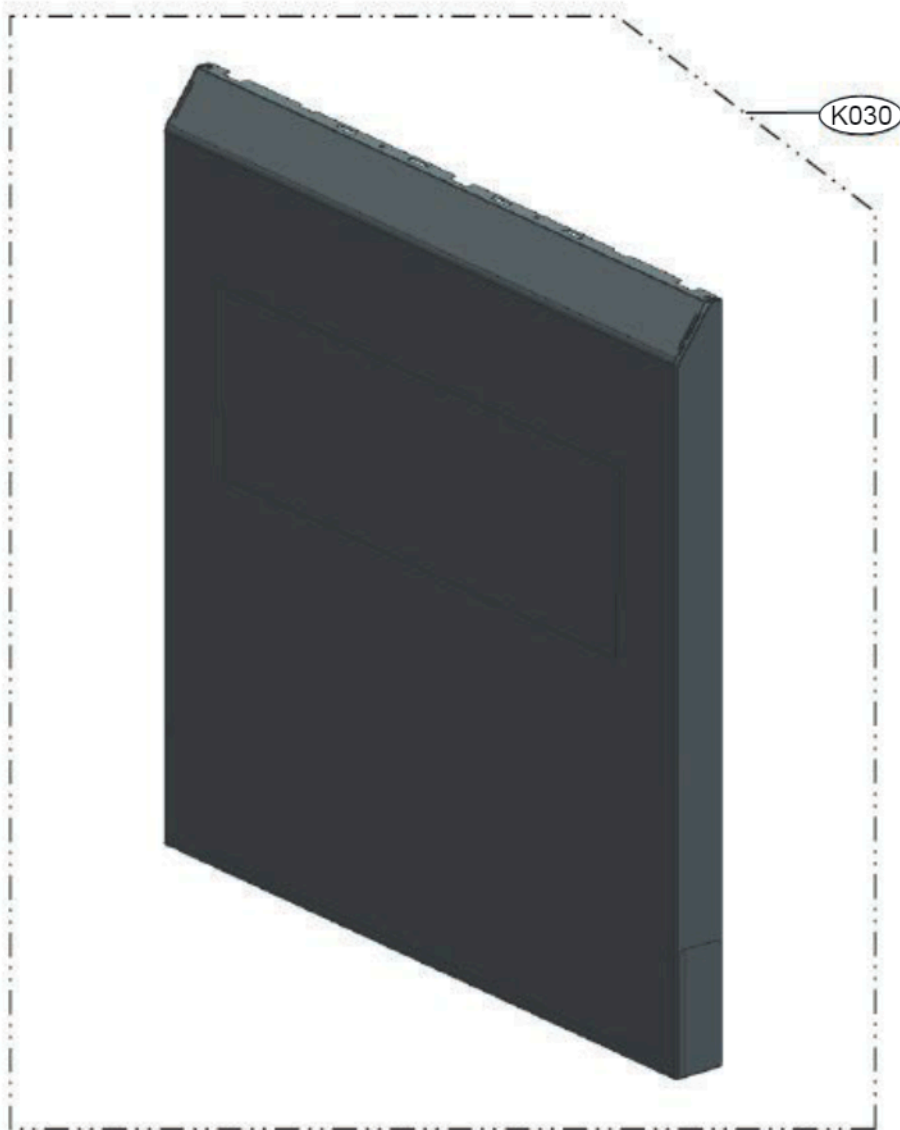


■ Panel Assembly
MODEL : XD2/XD3/XD4/XD5





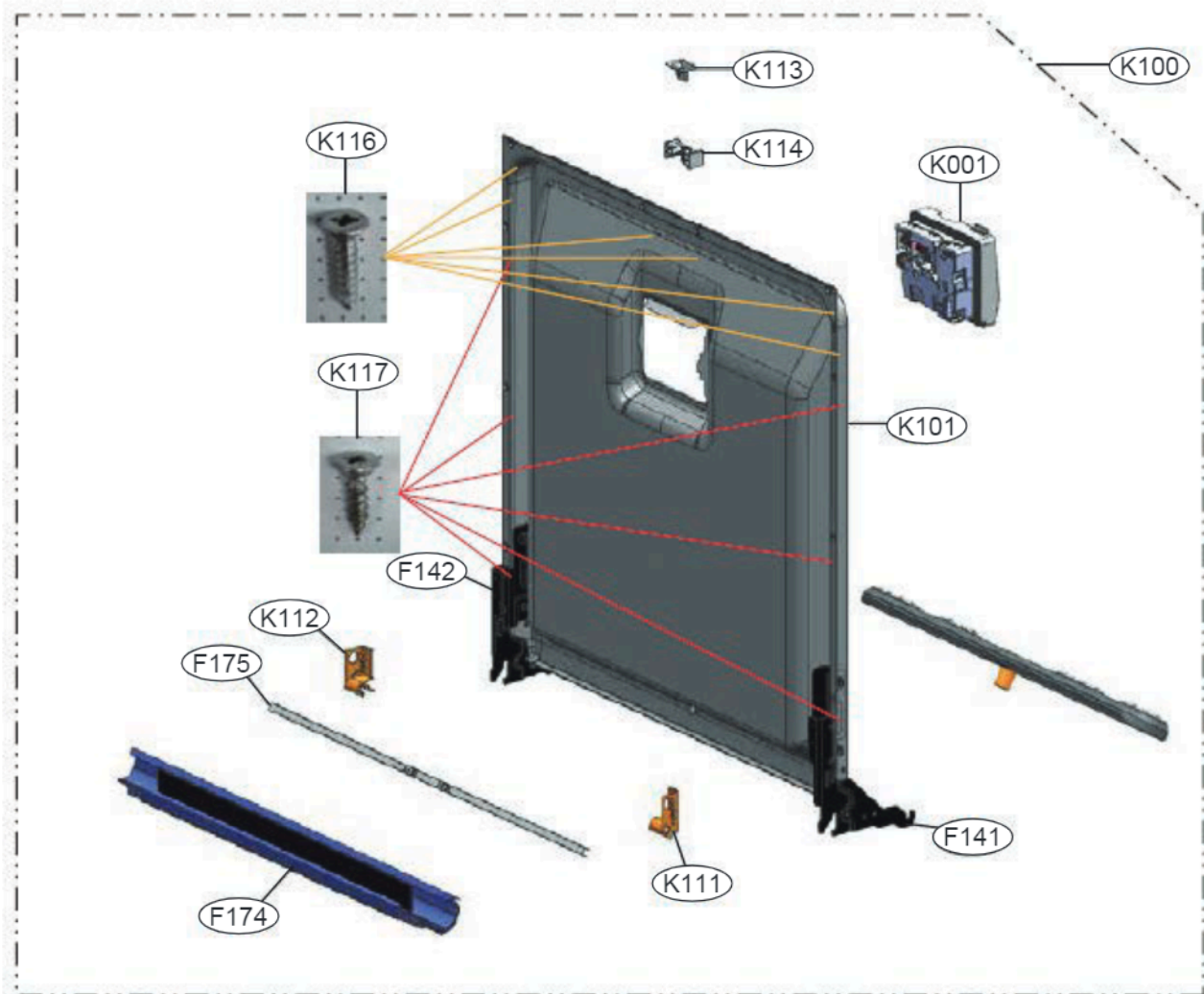
■ **Front Cover Assembly**
MODEL :XD2/XD3/XD4/XD5





■ Doorliner Assembly

MODEL : XD3*25**/XD3*25U**/XD4*24**/XD4*24U**/XD5*24**/XD2*25**





■ Sump Assembly

MODEL : XD3*25**/XD3*25U**/XD4*24**/XD4*24U**/XD5*24**/XD2*25**

