

EMAIL

LIMITED
INC. IN N.S.W.

Technical Publication No. DR100 Date 5/90

Westinghouse

TRADE MARK REGD.

&

SIMPSON

Chest Freezers

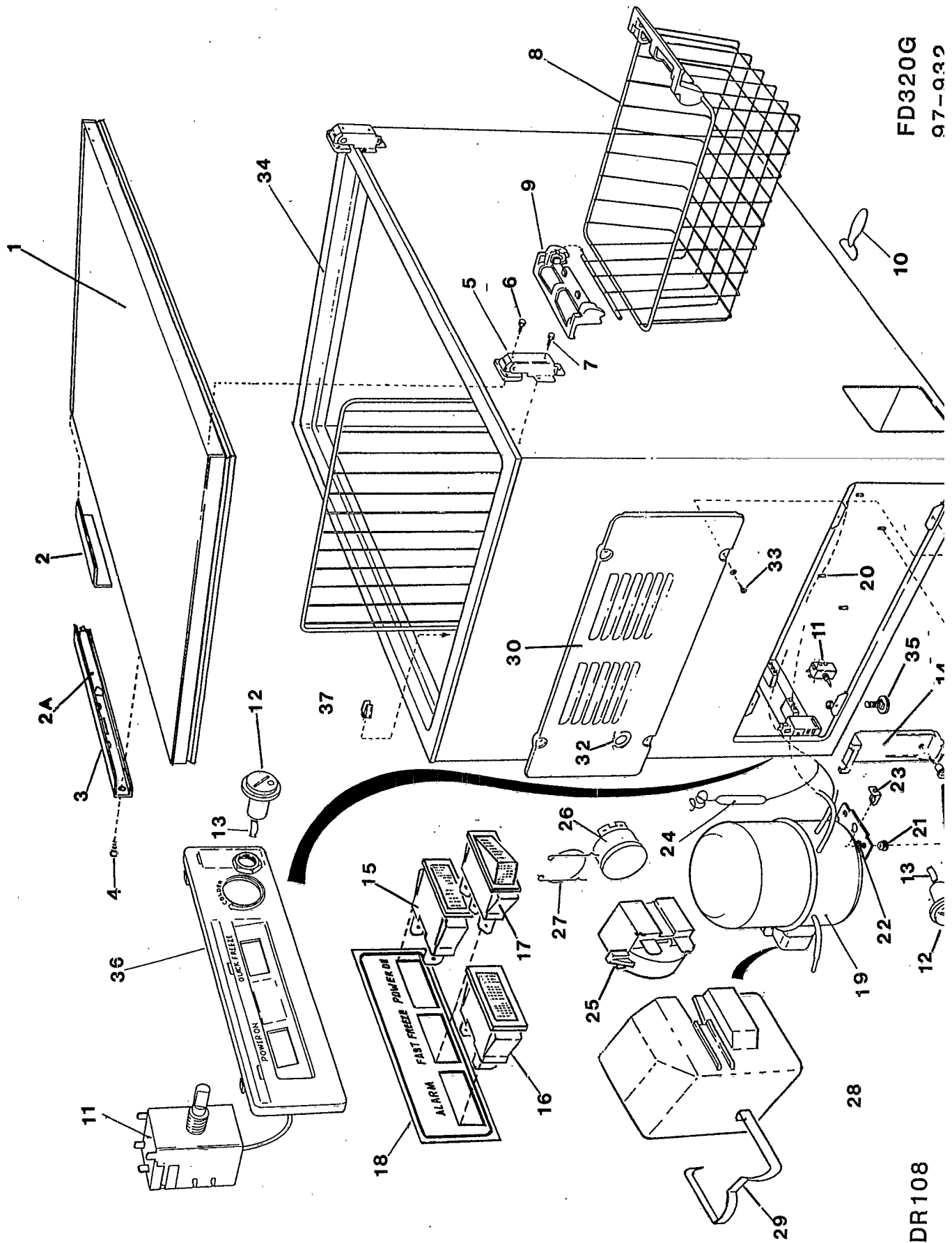
MODELS

FD150G

FD210G

FD320G

97-932



FD320G
97-QR2

DR108