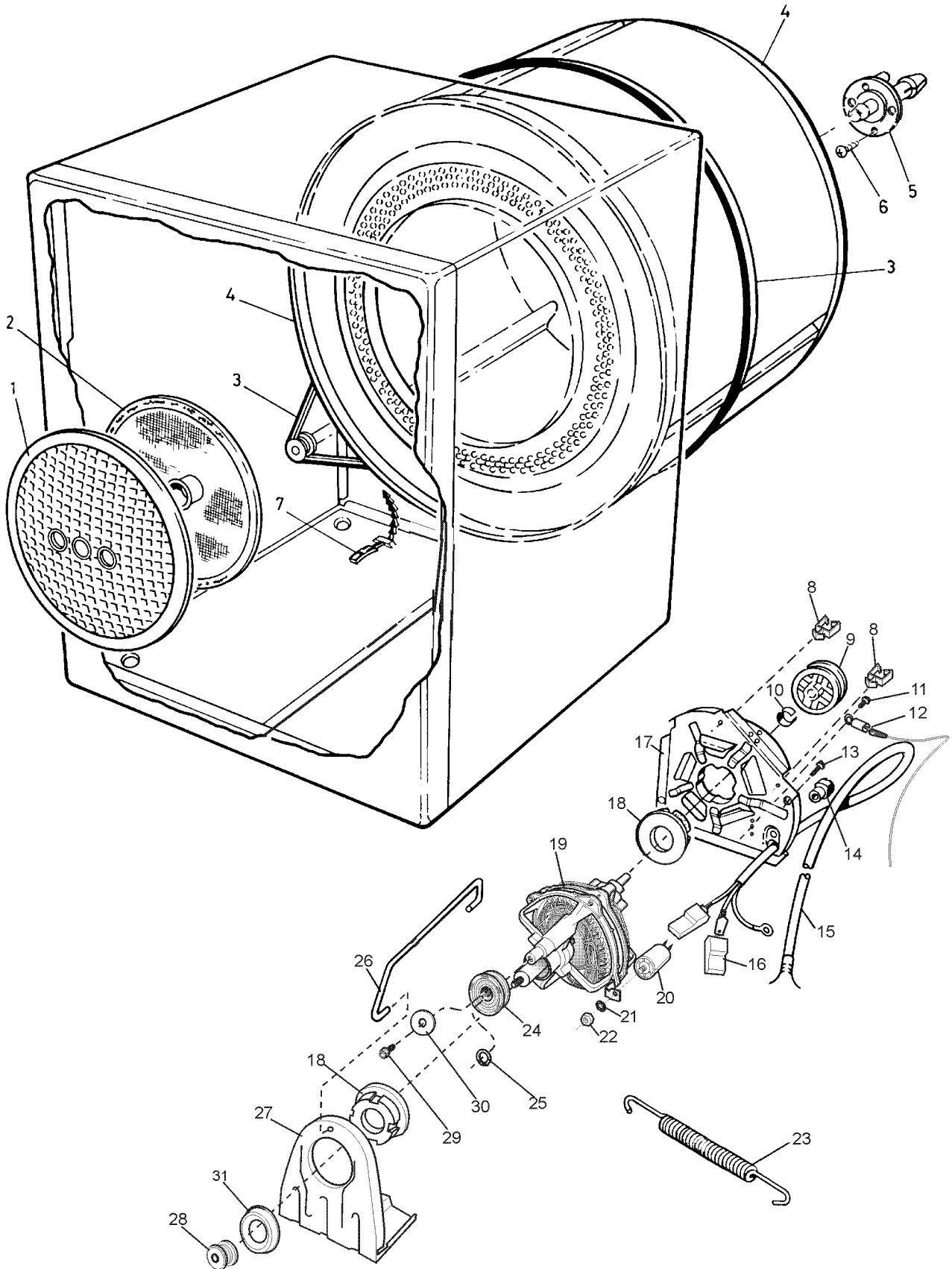


MODELS: 39S555K\*01, \*02

EX. VIEW DRAWING 3022  
WRAP, DRUM and  
MOTOR ASSEMBLY



MODELS: 39S555K\*01, \*02

EX. VIEW DRAWING 2995  
BACK PANEL ASSEMBLY

