



635 Vertical Freezer

Models

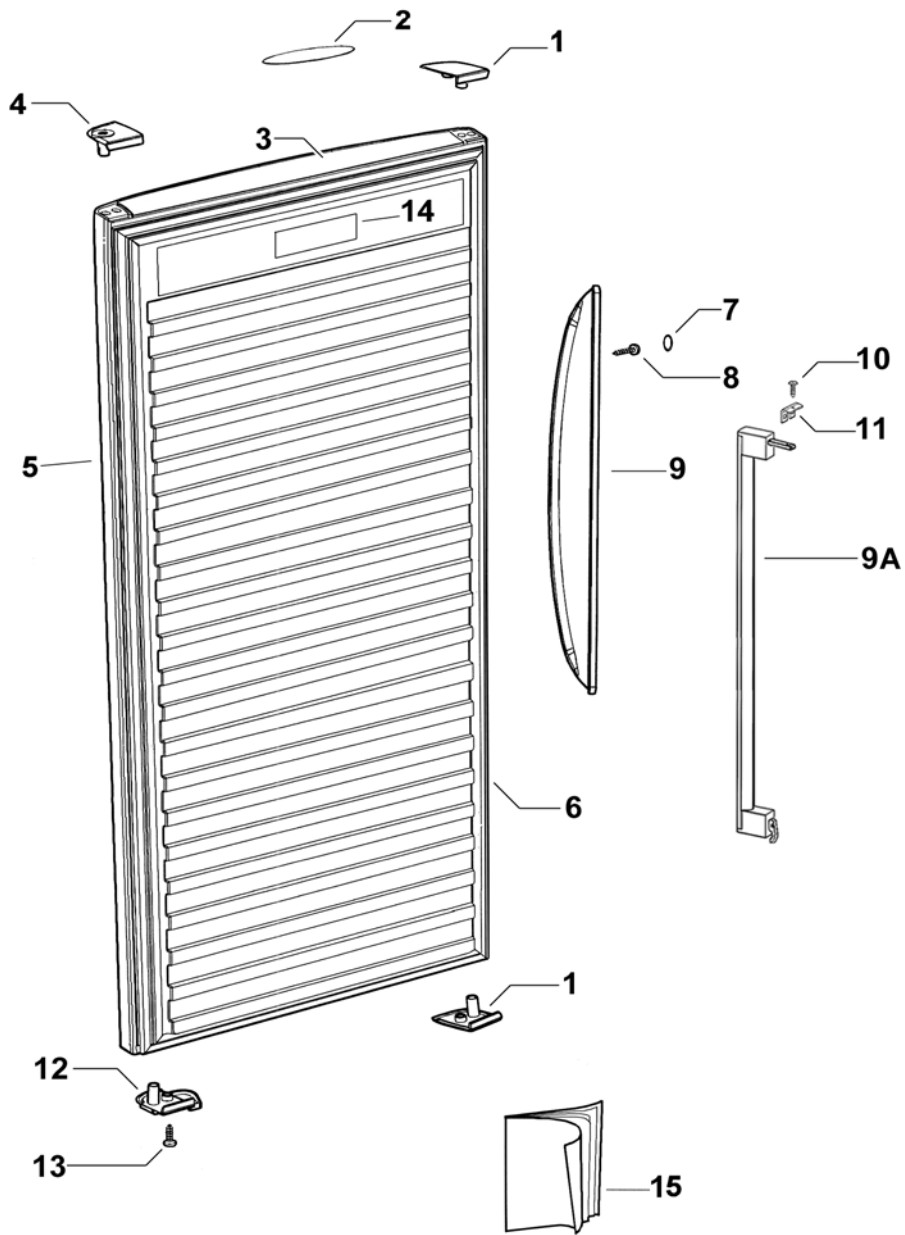
F310L F310R
N308L N308R
N388L N388R

Series

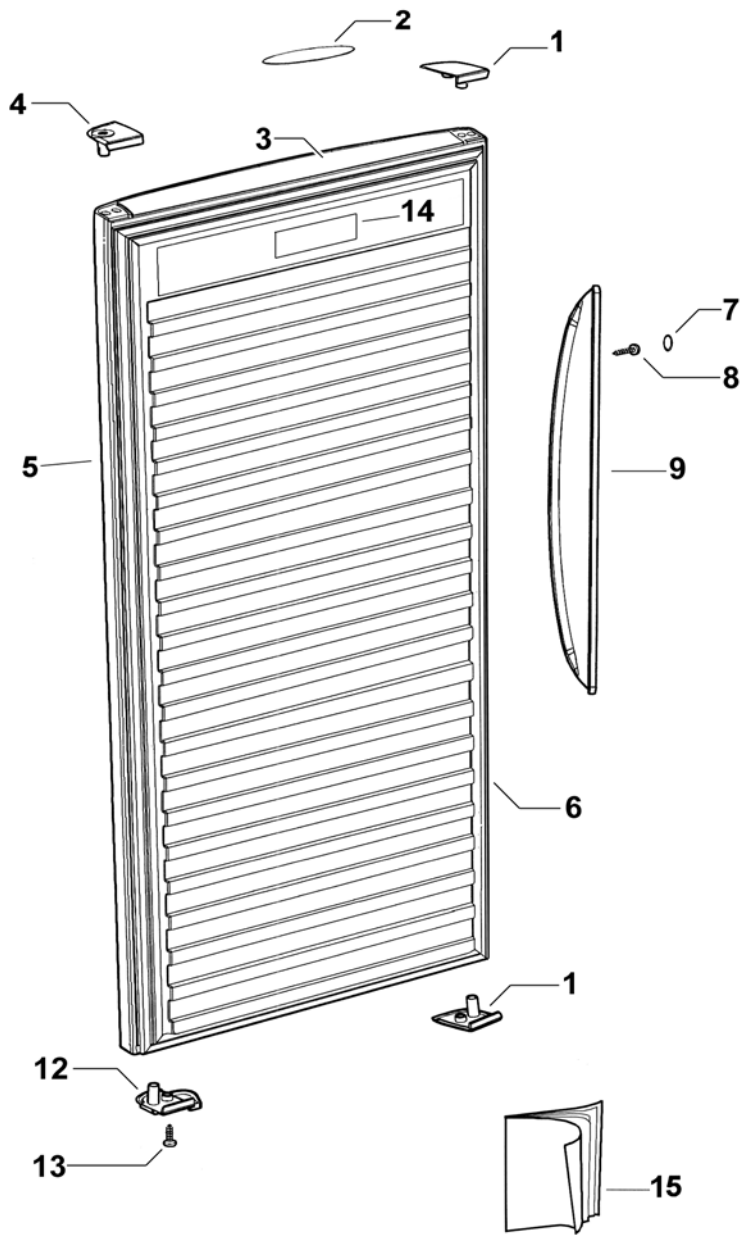
B & D



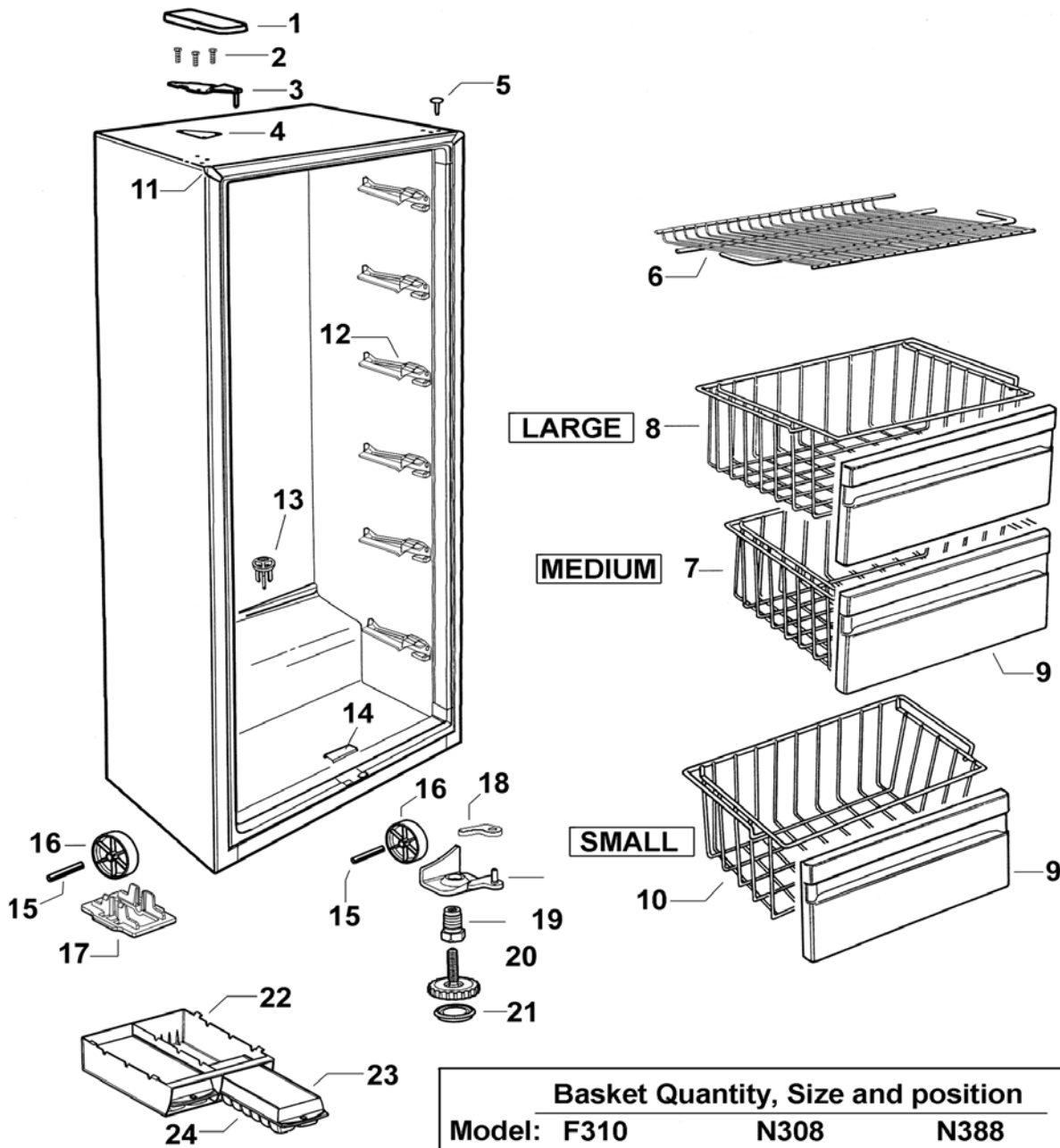
DOOR ASSEMBLY



DOOR ASSEMBLY



CABINET AND COMPONENTS



Basket Quantity, Size and position			
Model:	F310	N308	N388
	LARGE	MEDIUM	MEDIUM
	LARGE	LARGE	LARGE
	LARGE	MEDIUM	LARGE
	LARGE	MEDIUM	MEDIUM
	SMALL	SMALL	MEDIUM
			SMALL

FAN AND EVAPORATOR ASSEMBLY

