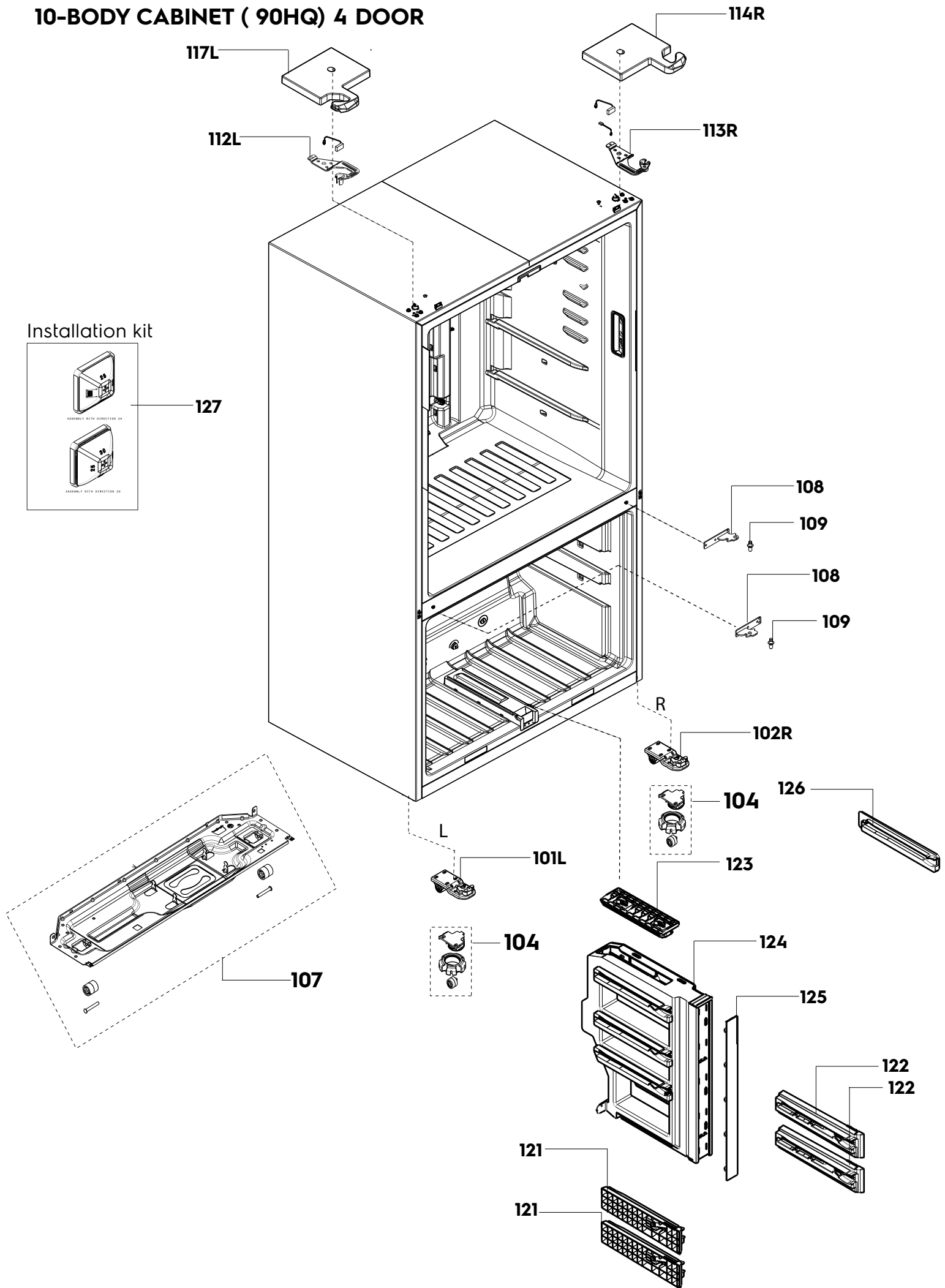
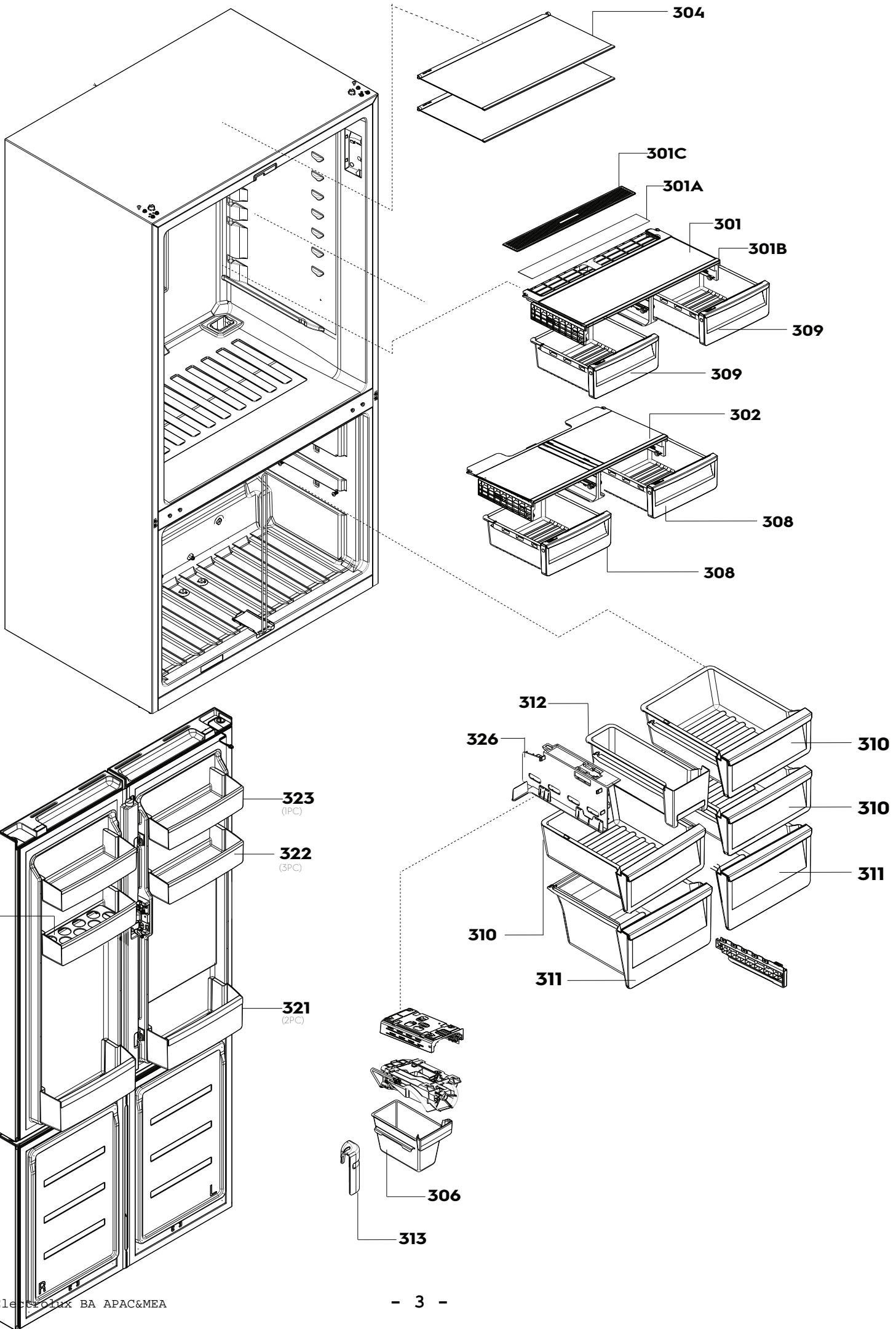


# 10-BODY CABINET ( 90HQ) 4 DOOR

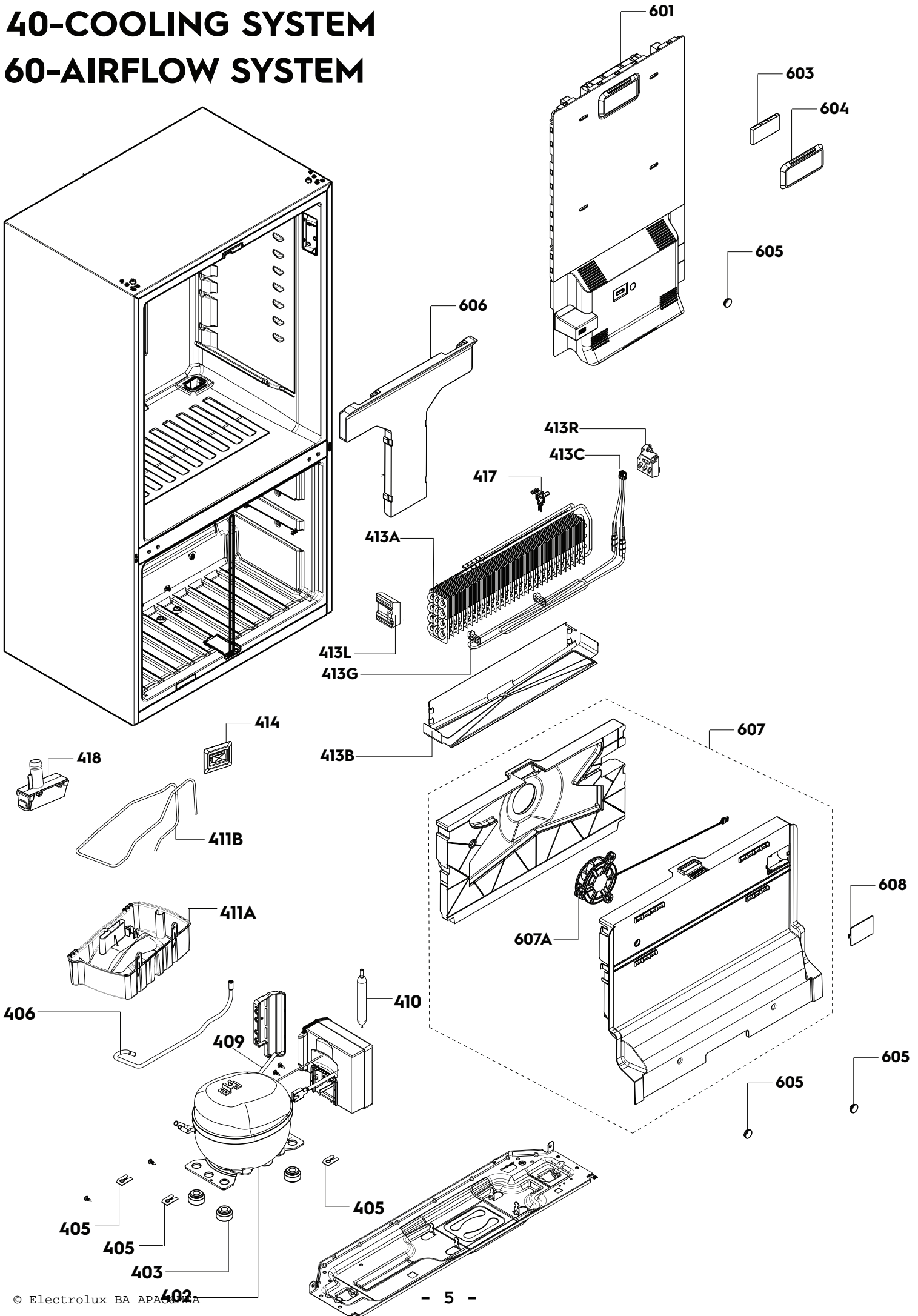


30\_INTERIOR MD90 - Auto ice maker



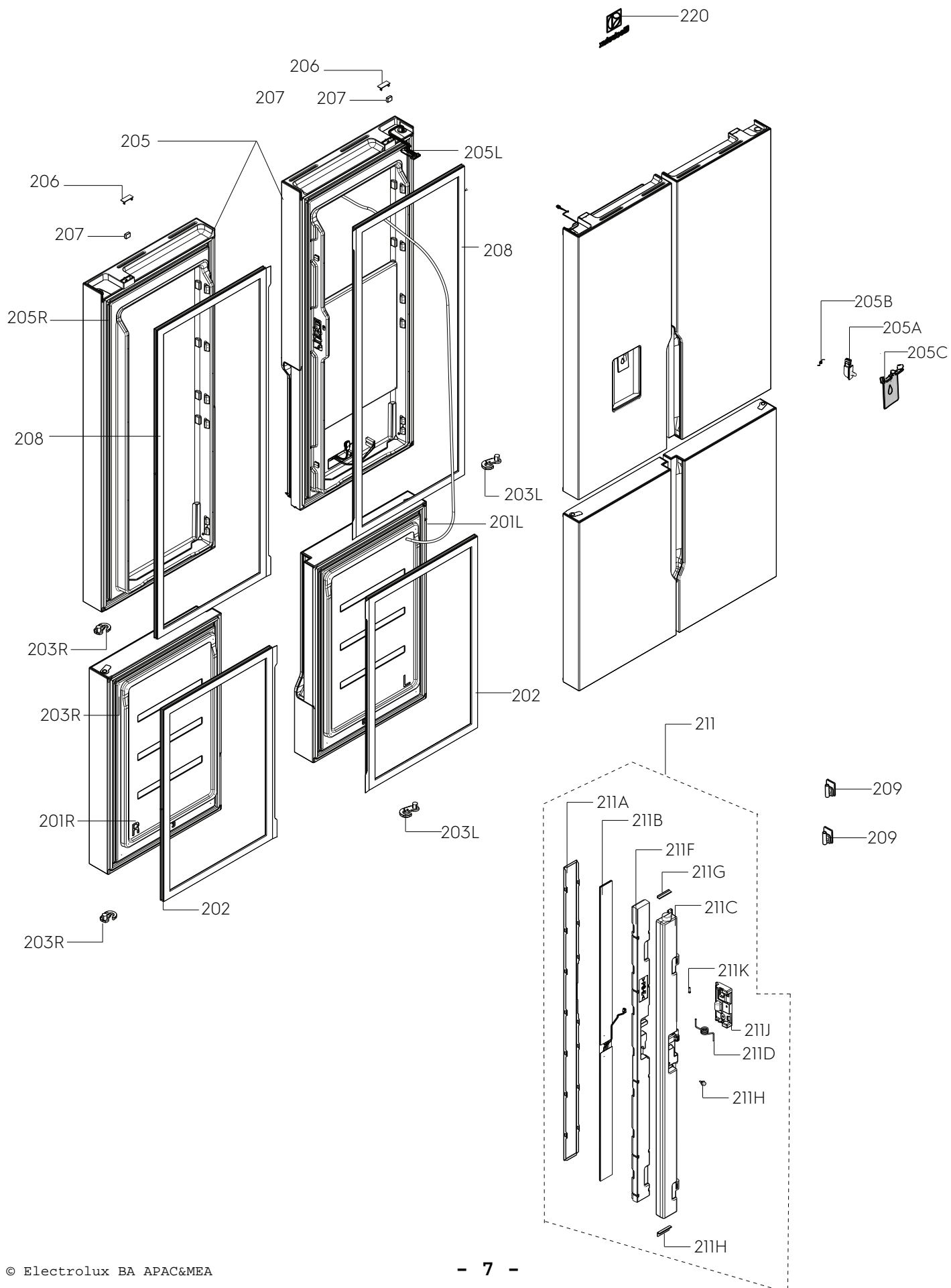
# 40-COOLING SYSTEM

## 60-AIRFLOW SYSTEM

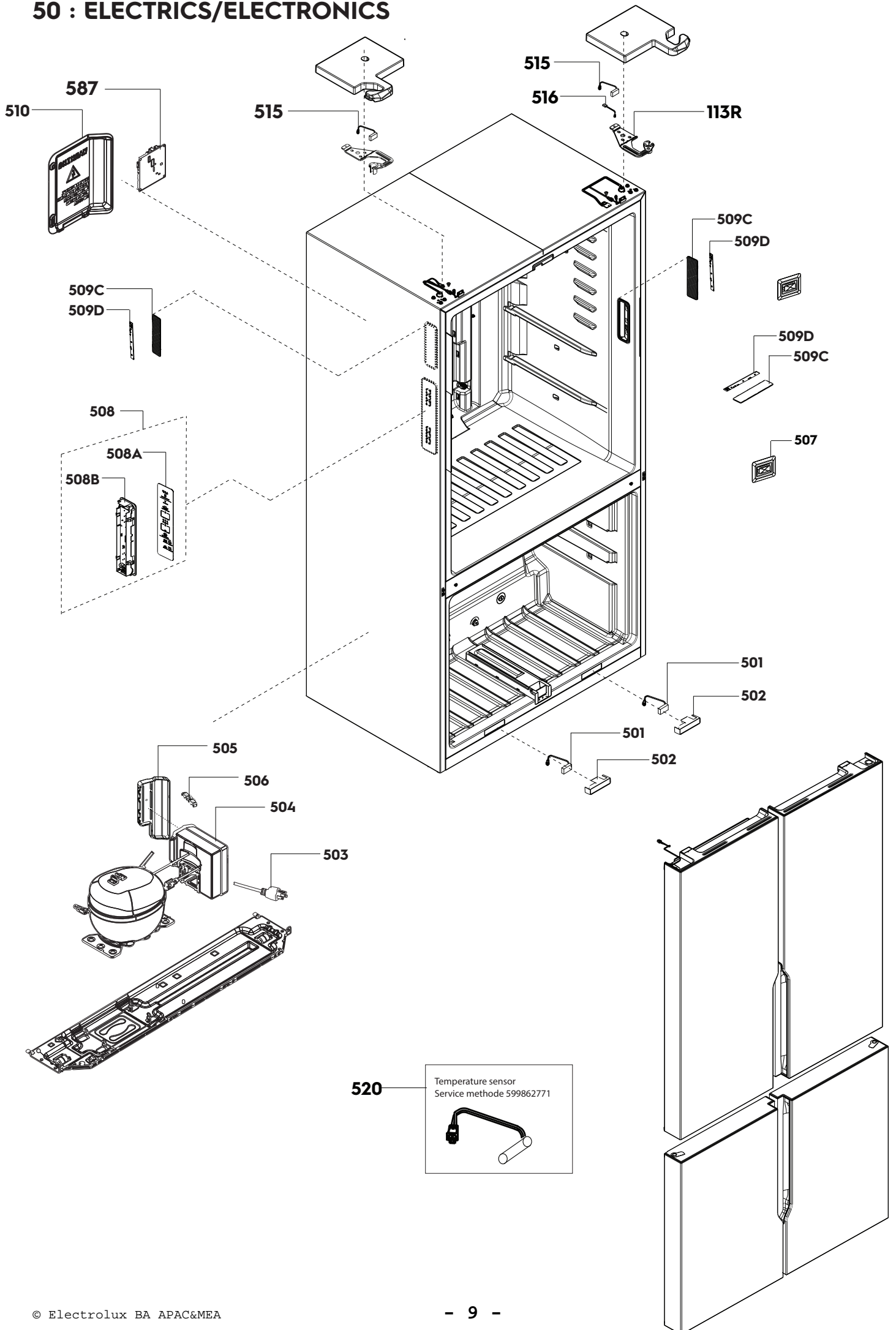


# 20\_DOOR HQ90 (4 DOOR)\_THICK DOOR DISPENSER

The sensor magnet reed sw combine in the freezer door foam.



# 50 : ELECTRICS/ELECTRONICS



# 70\_ICE & WATER COMPONENTS

