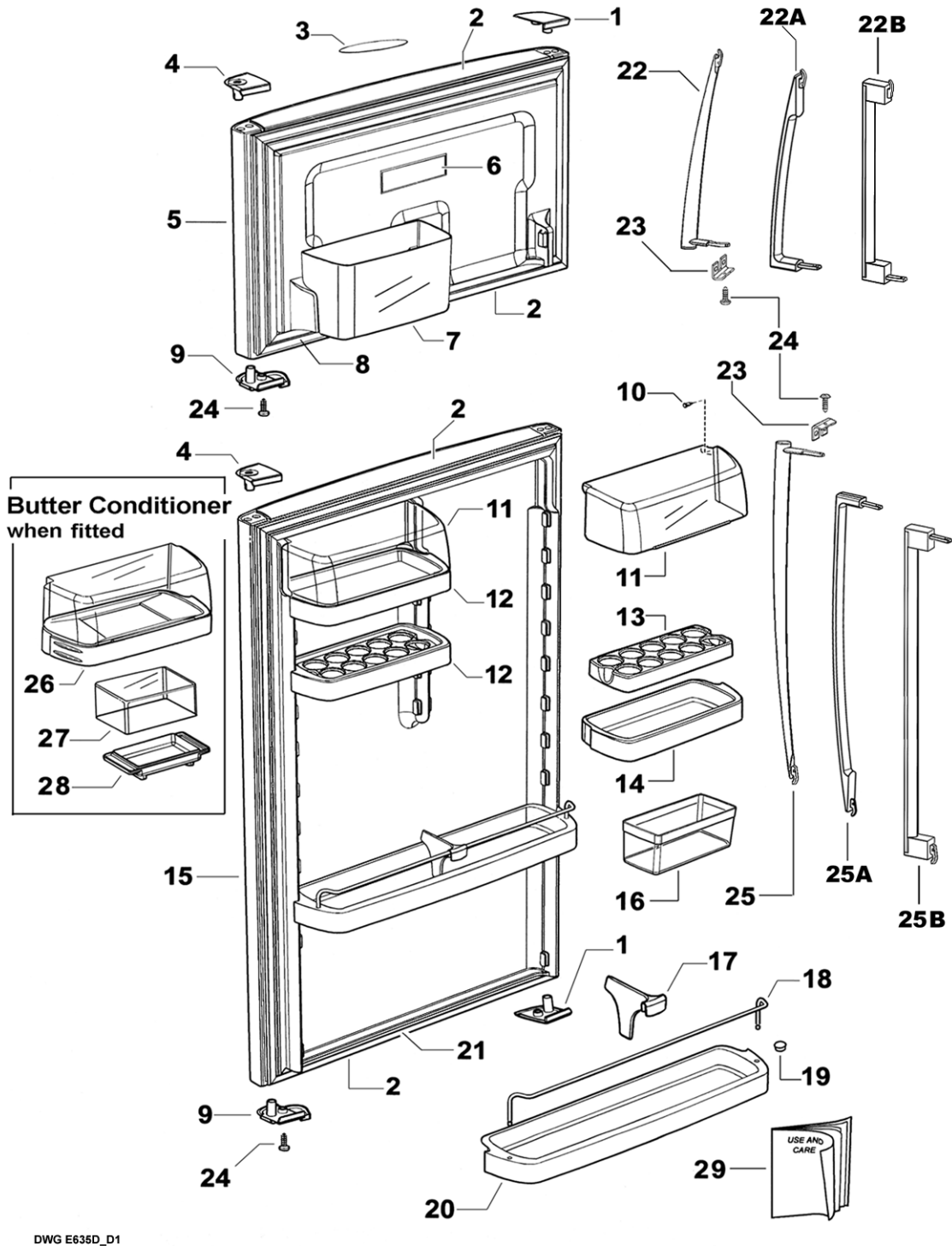


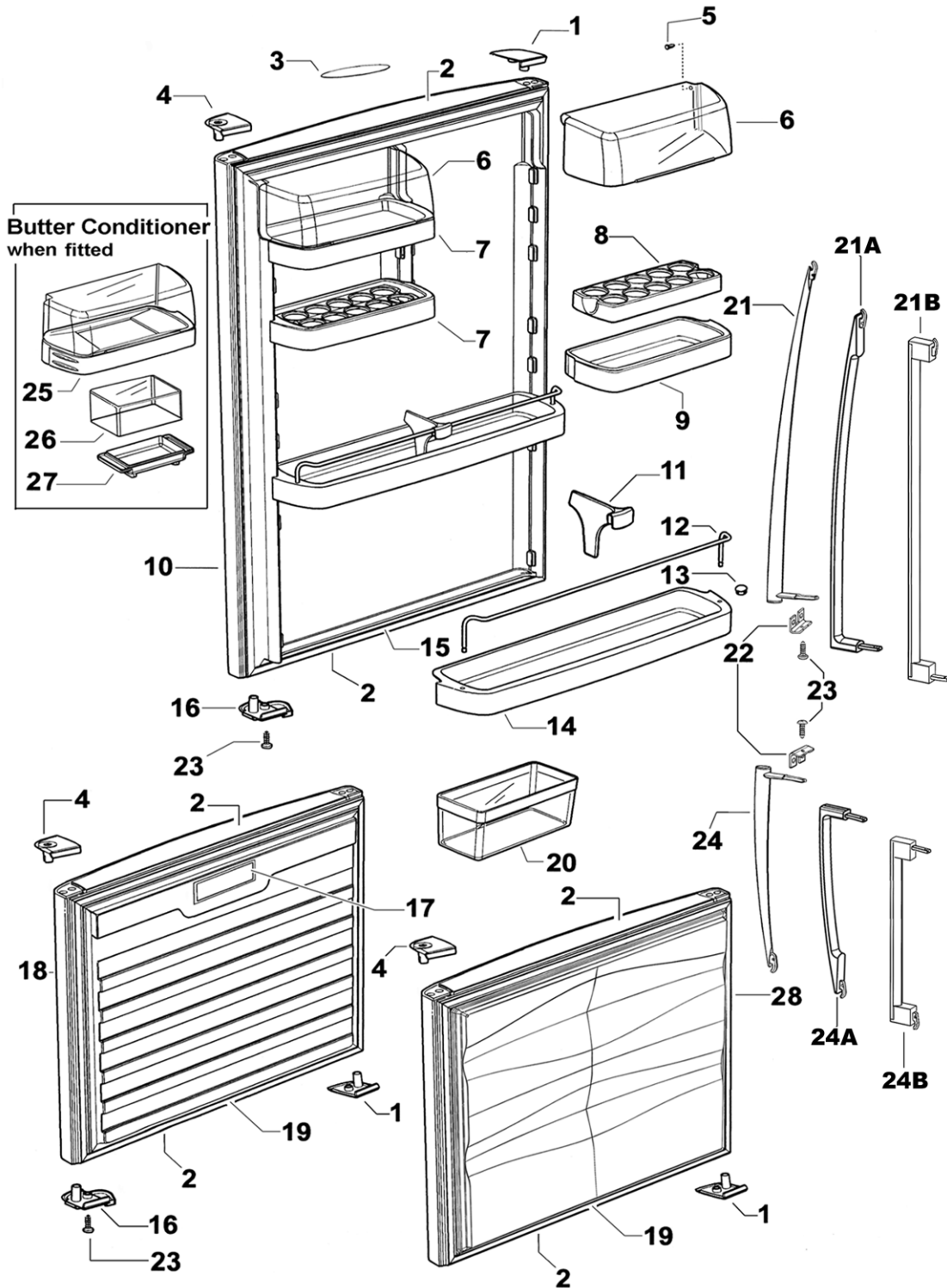
## DOORS - TOP FREEZER MODELS WITH METAL HANDLES ELEGANCE, & INOX



**NOTE:**

FOR A COMPREHENSIVE DOOR ASSEMBLY SELECTION CHART FOR ALL CURRENT PRODUCTION MODELS - REFER MANUAL Pt No. 517780

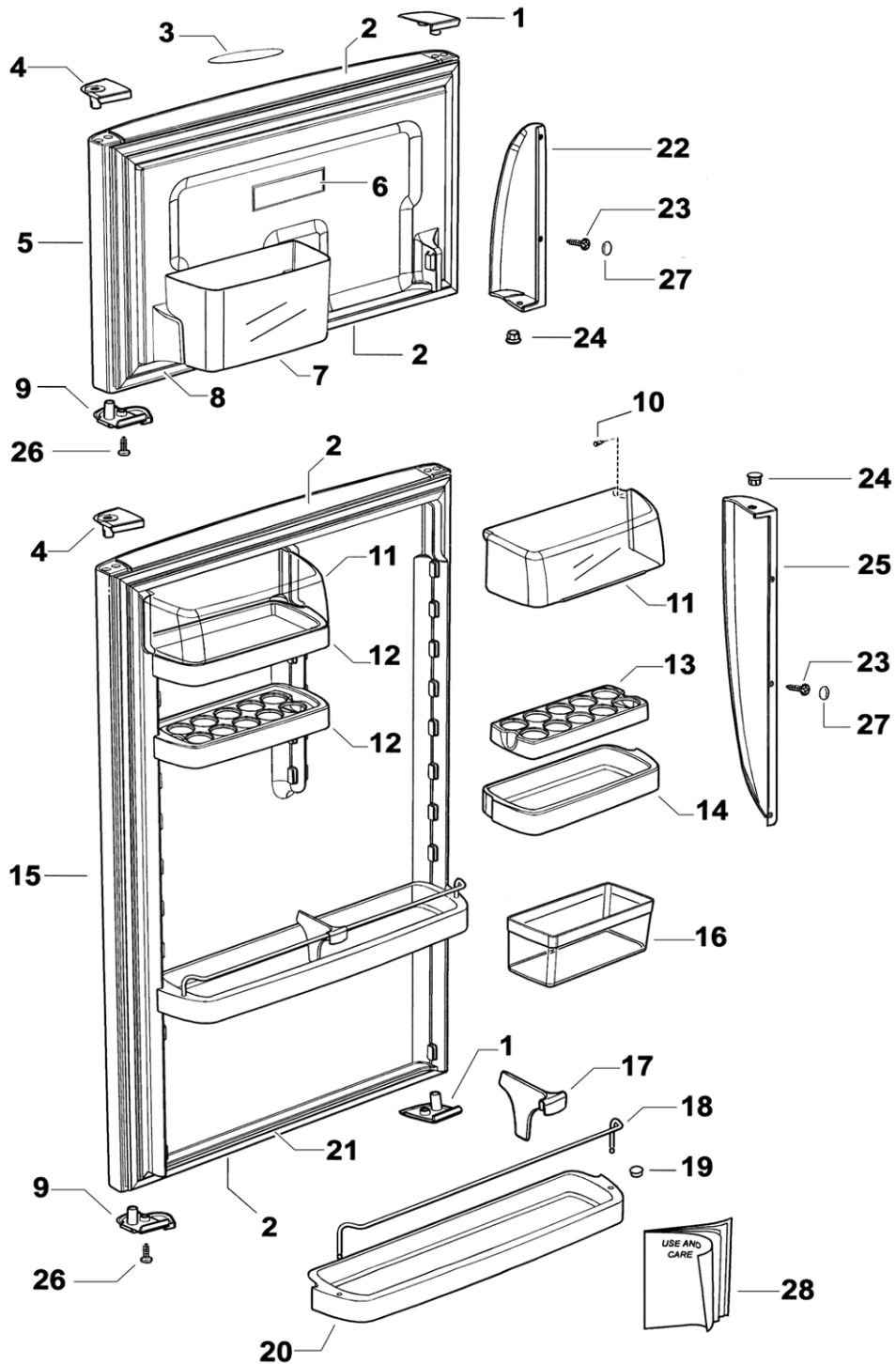
## DOORS - BOTTOM FREEZER MODELS WITH METAL HANDLES ELEGANCE, INOX & IRIDUM



**NOTE:**

FOR A COMPREHENSIVE DOOR ASSEMBLY SELECTION CHART FOR ALL CURRENT PRODUCTION MODELS - REFER MANUAL Pt No. 517780

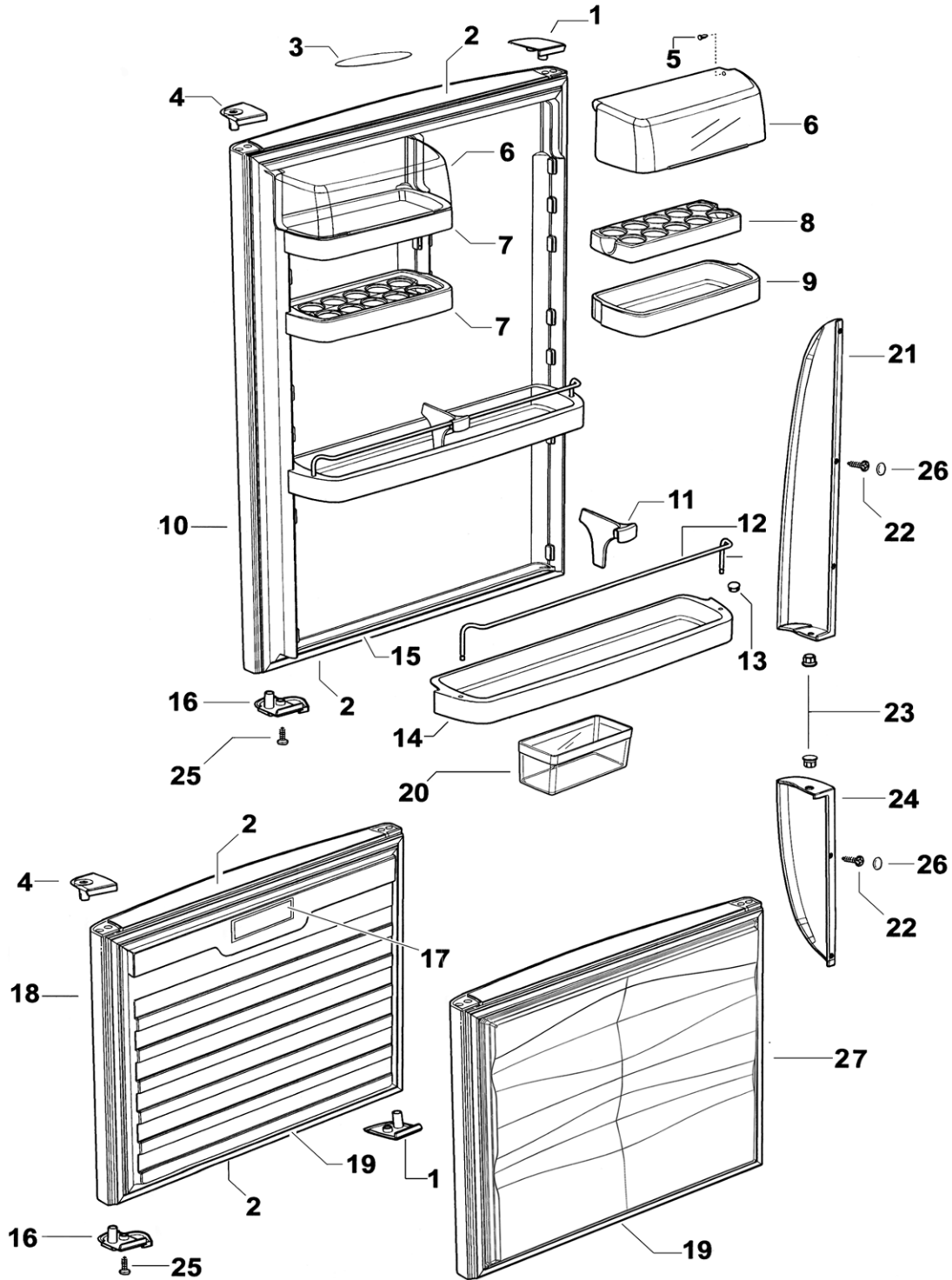
# DOORS - TOP FREEZER MODELS WITH CURVED PLASTIC HANDLES TASMAN



**NOTE:**

FOR A COMPREHENSIVE DOOR ASSEMBLY SELECTION CHART FOR ALL CURRENT PRODUCTION MODELS - REFER MANUAL Pt No. 517780

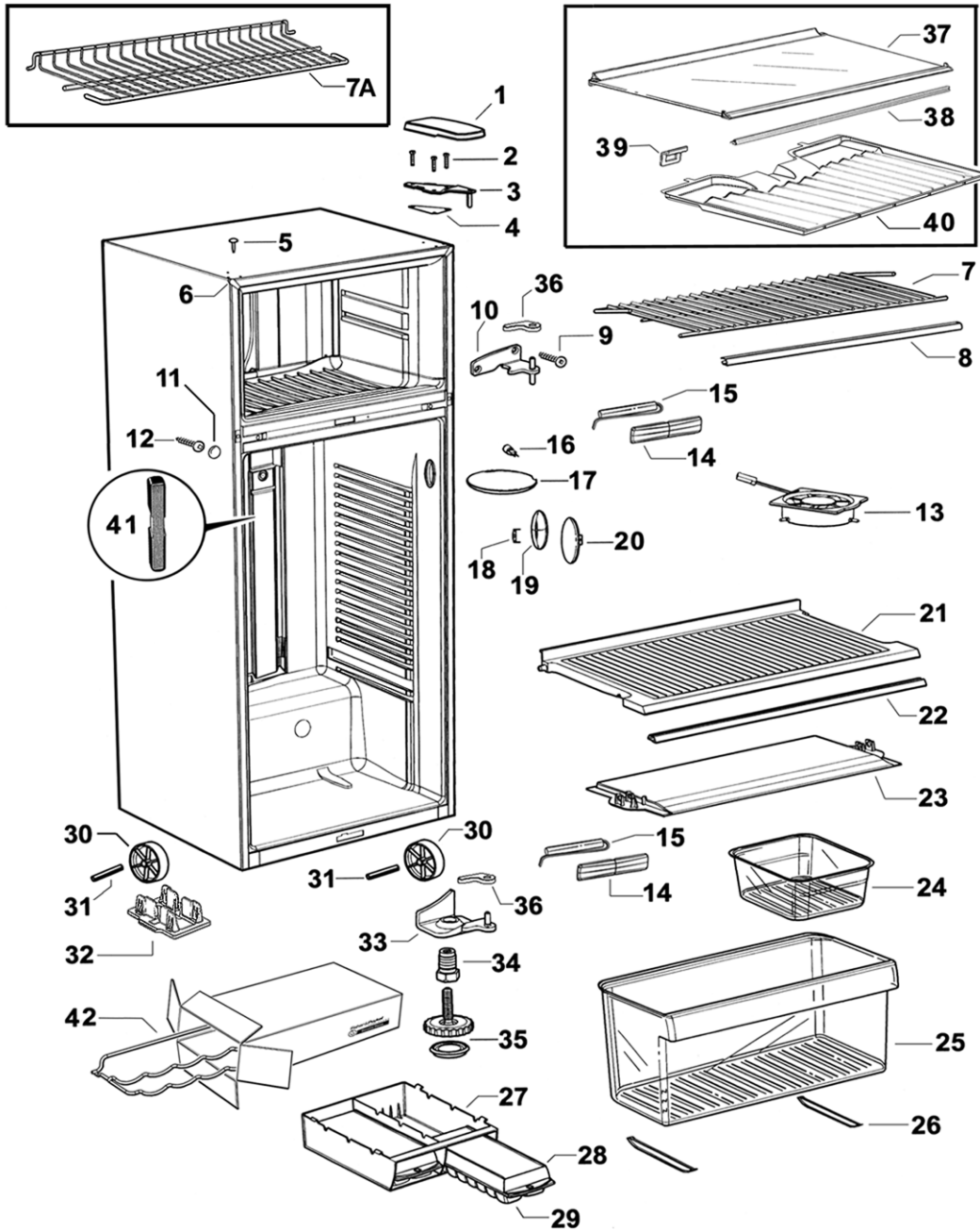
**DOORS BOTTOM FREEZER WITH CURVED PLASTIC HANDLE  
TASMAN  
INCLUDING BUILT IN SOFT LINE FLAT DOORS**



**NOTE:**

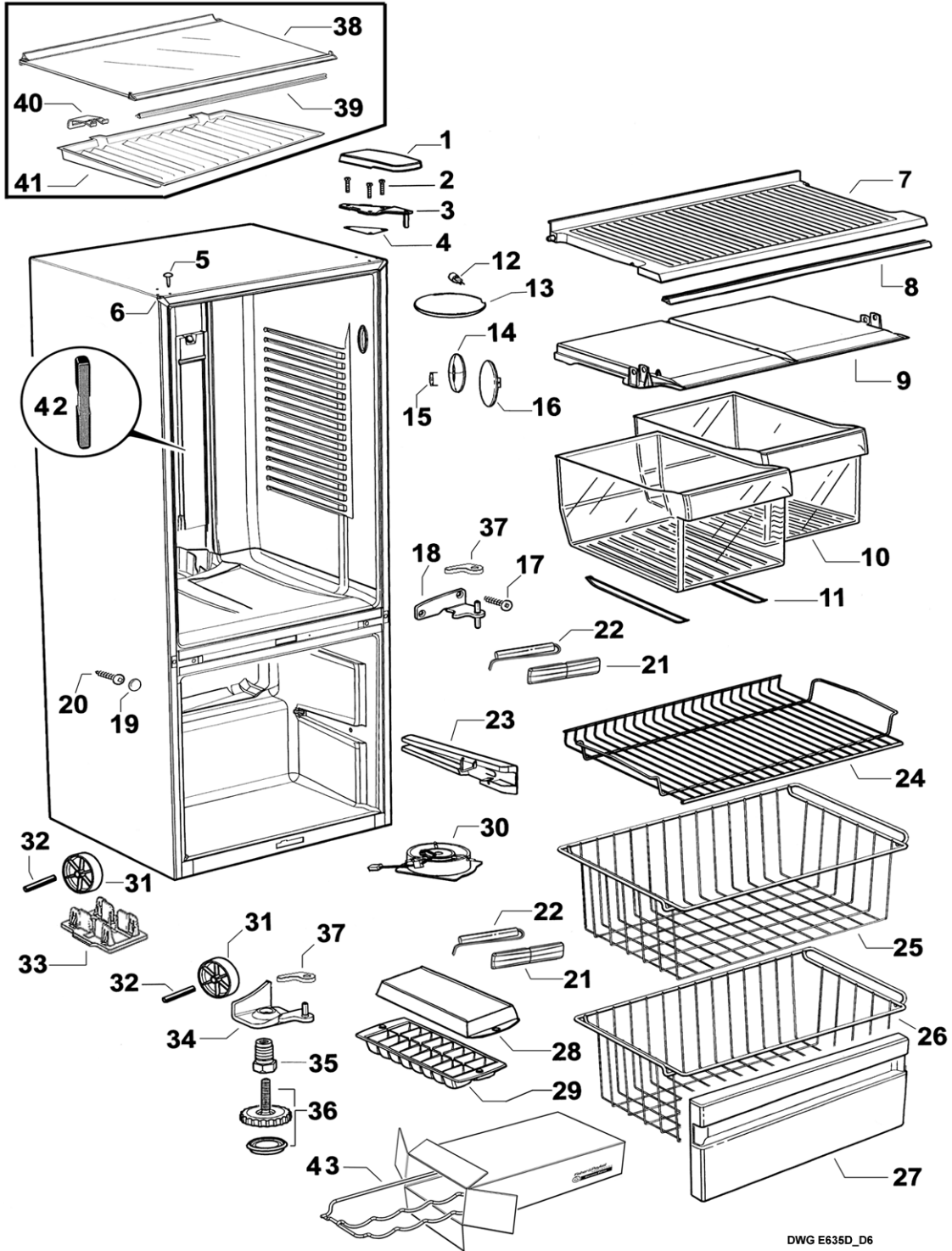
FOR A COMPREHENSIVE DOOR ASSEMBLY SELECTION CHART FOR ALL CURRENT PRODUCTION MODELS - REFER MANUAL Pt No. 517780

# CABINET COMPONENTS - TOP FREEZER MODELS

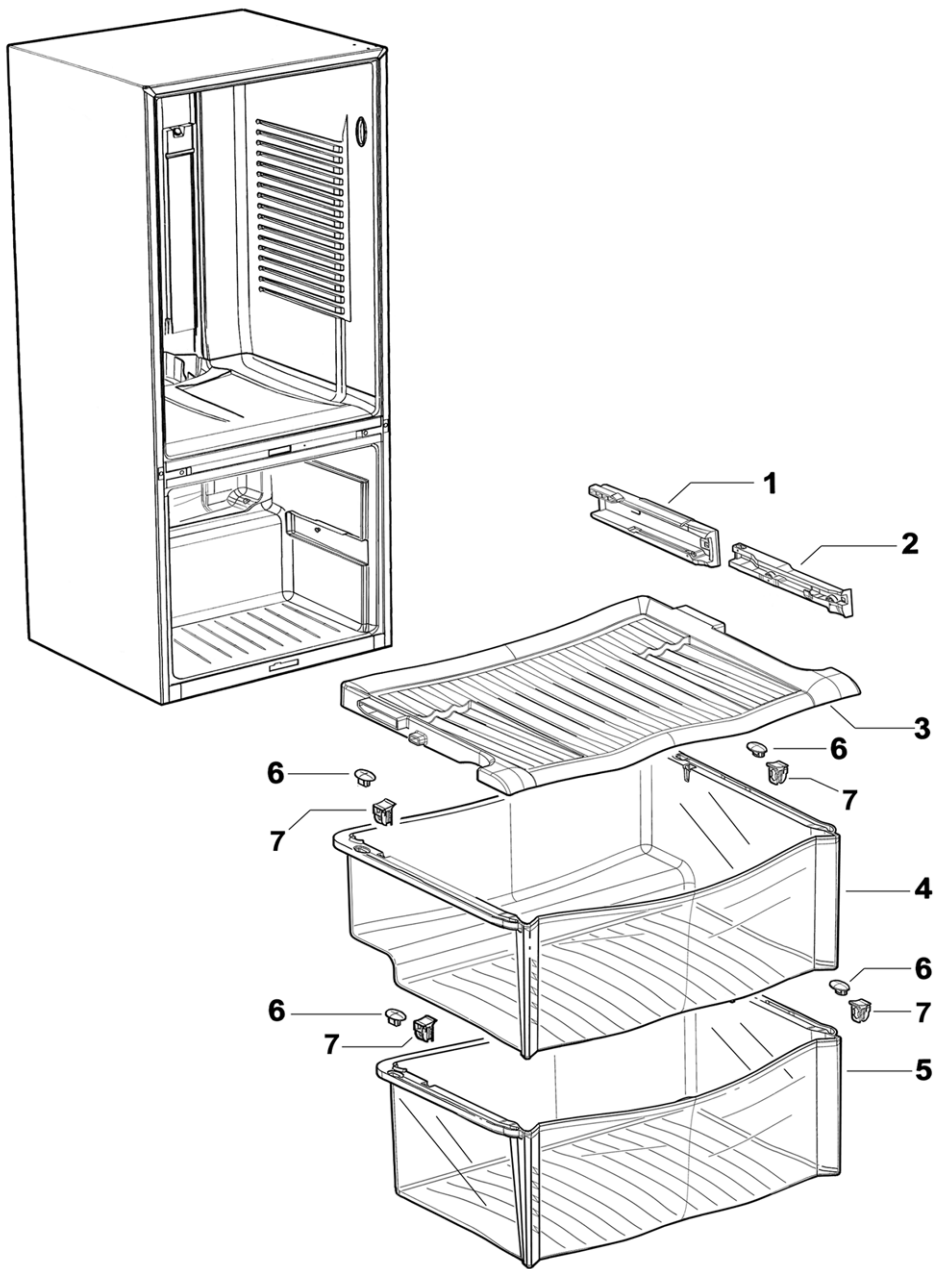


DWG E635D\_D5..

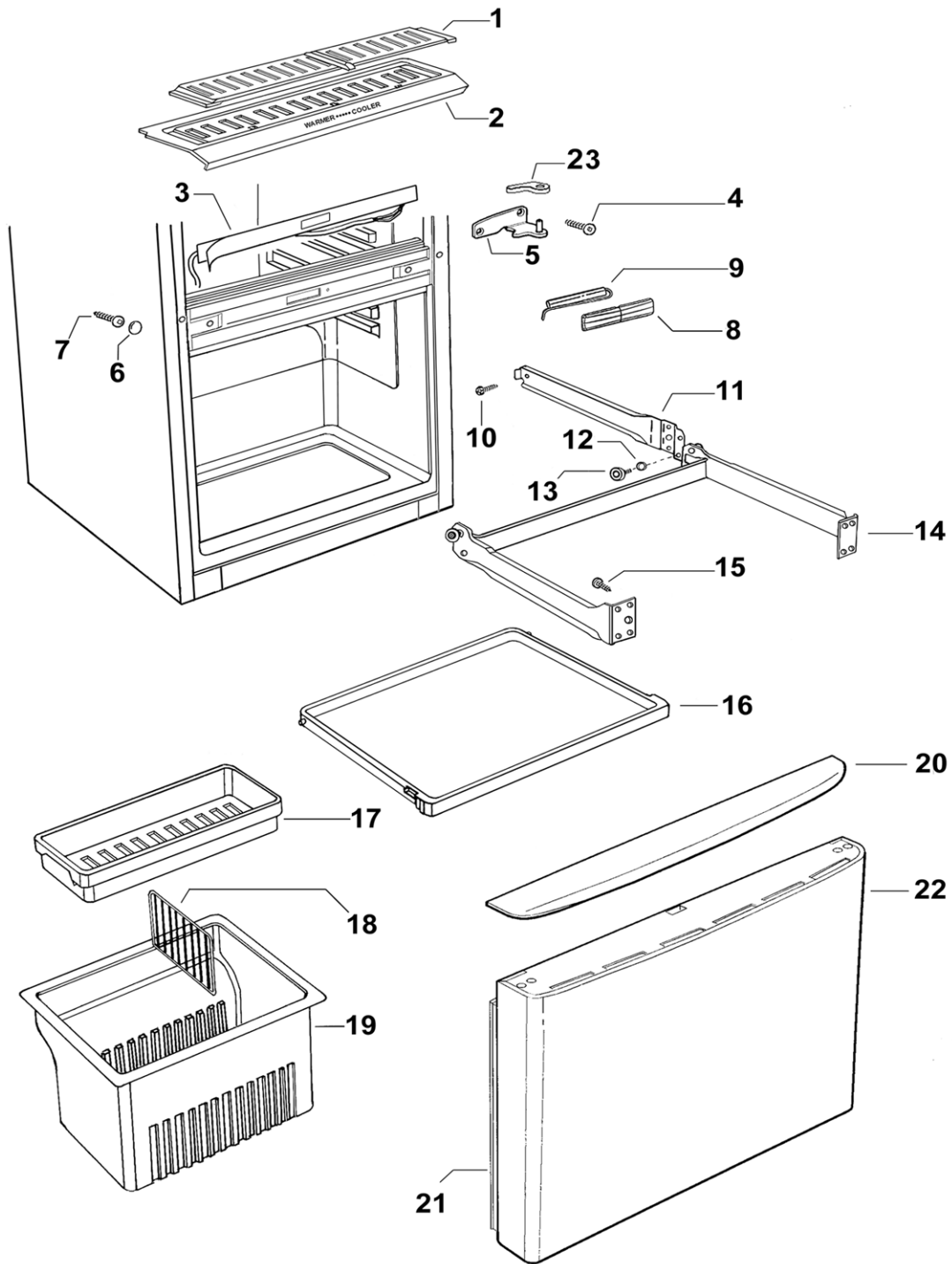
# CABINET COMPONENTS - BOTTOM FREEZER MODELS



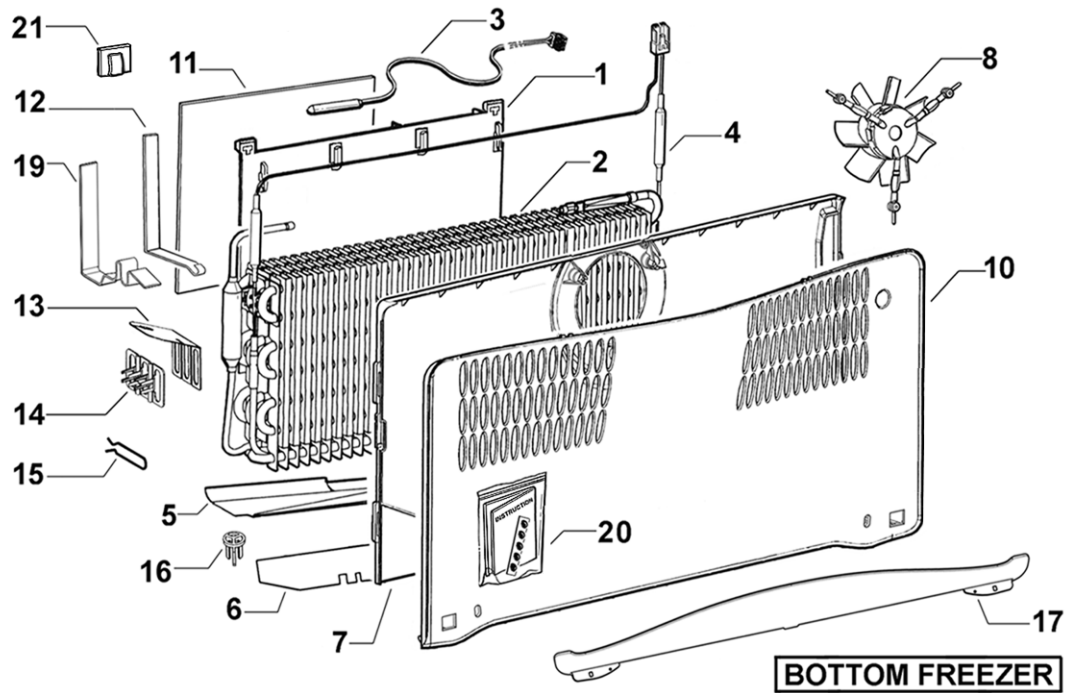
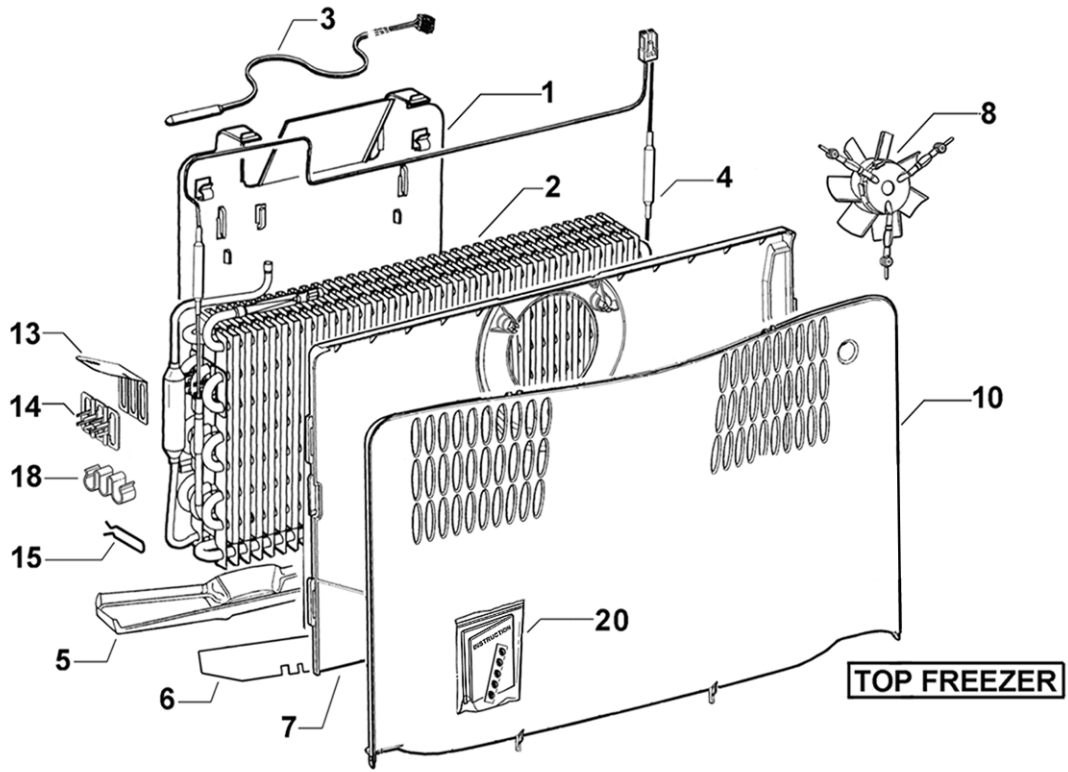
# PLASTIC FREEZER BINS - BOTTOM FREEZER MODELS



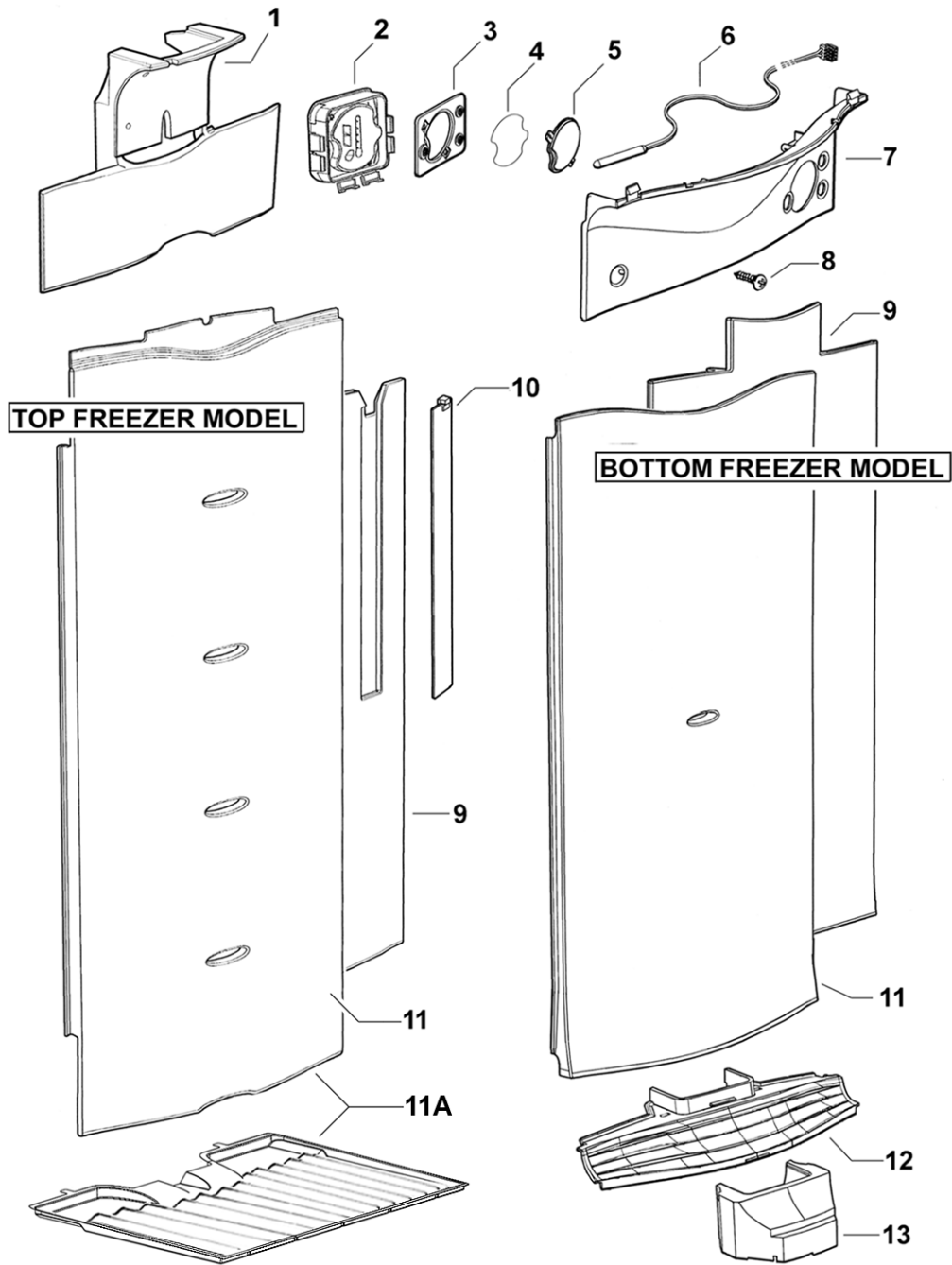
# DRAWER ASSEMBLY - HUMIDITY



# FAN, COVERS AND EVAPORATOR ASSEMBLIES

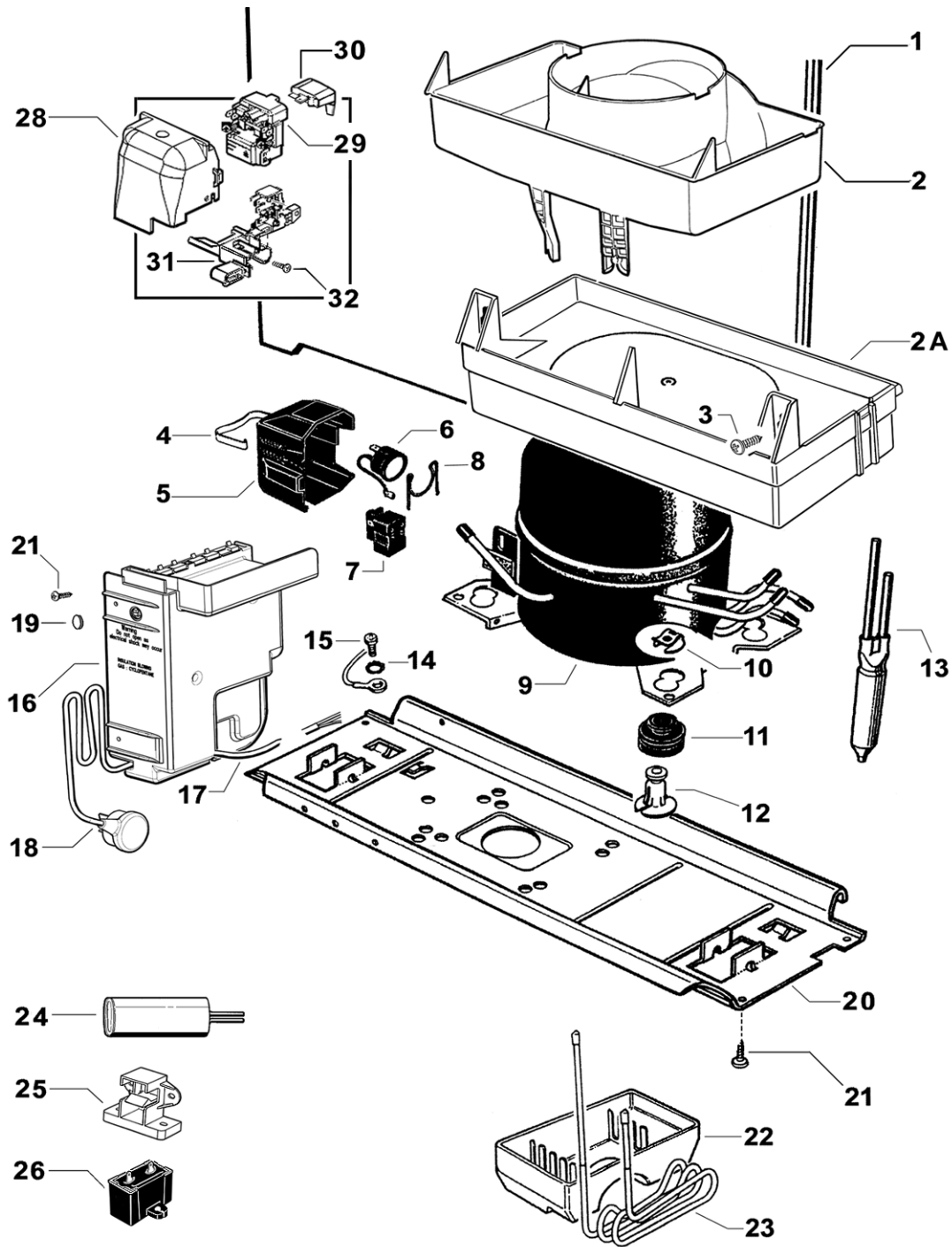


# ELECTRONIC MODULE AND DUCT COVERS



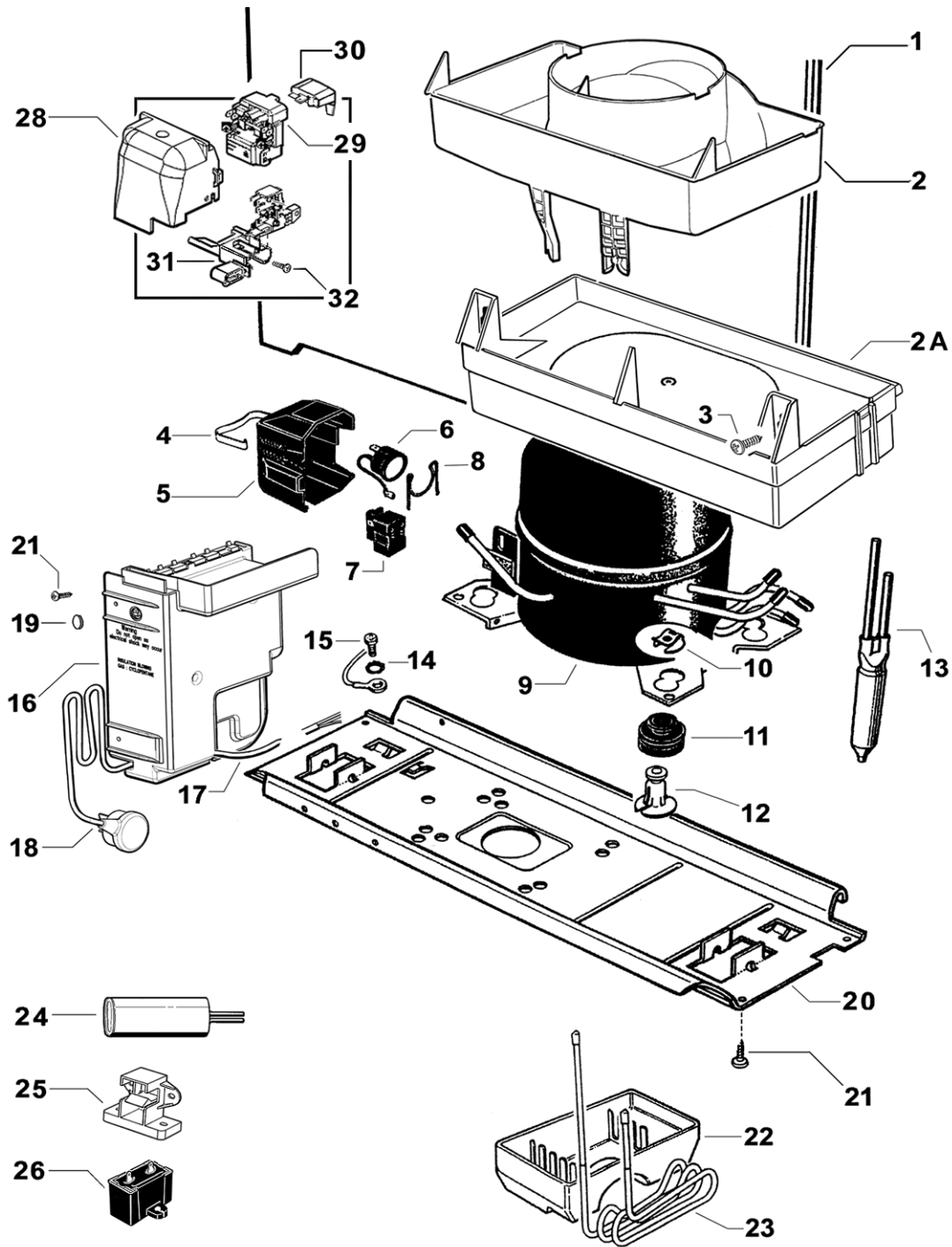
DWG E635D\_DA

# COMPRESSOR, ANCILLARY COMPONENTS & CONTROL MODULE



DWG E635D\_DD Compsr\_Pwr Mod

# COMPRESSOR, ANCILLARY COMPONENTS & CONTROL MODULE



DWG E635D\_DD Compsr\_Pwr Mod