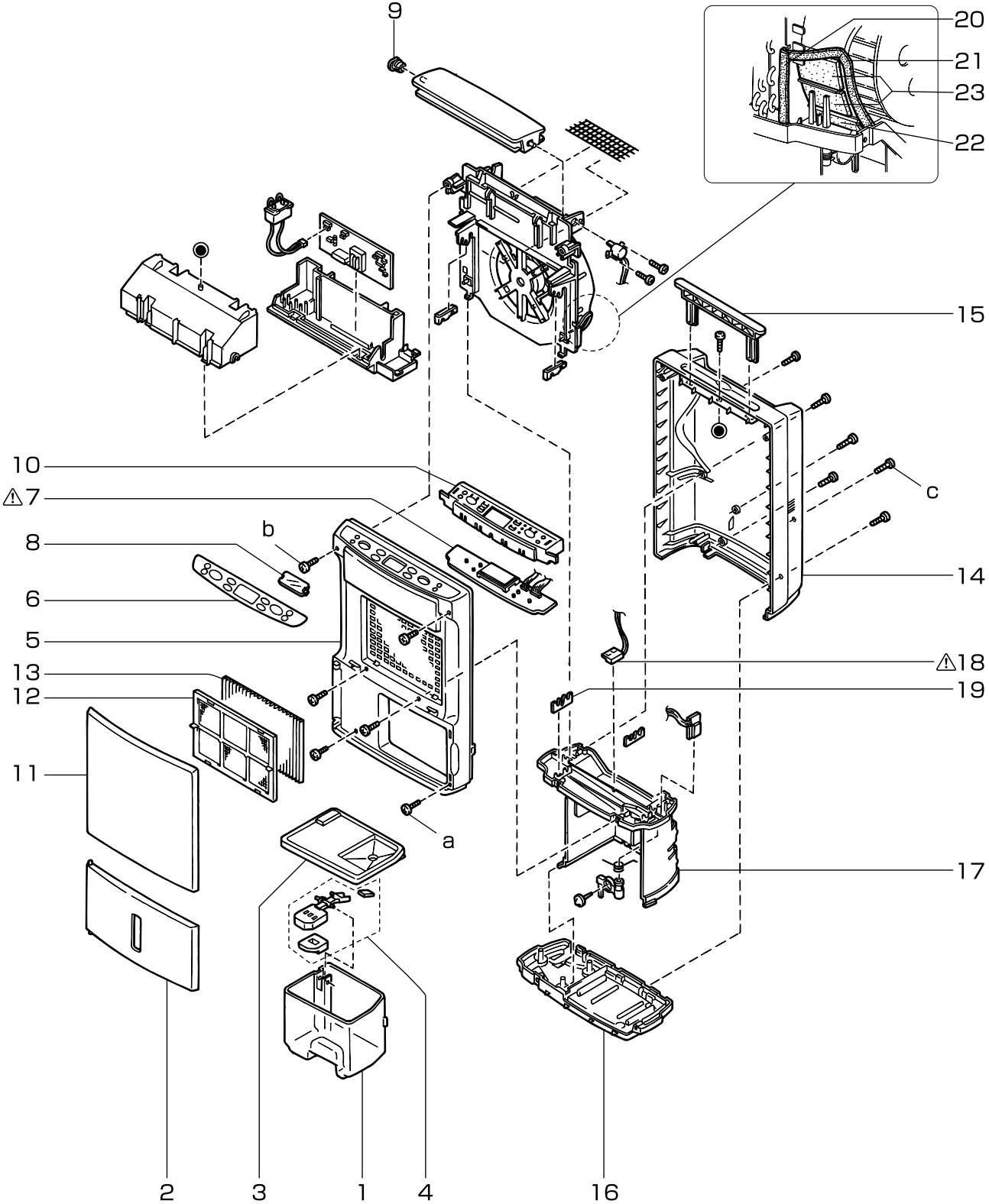


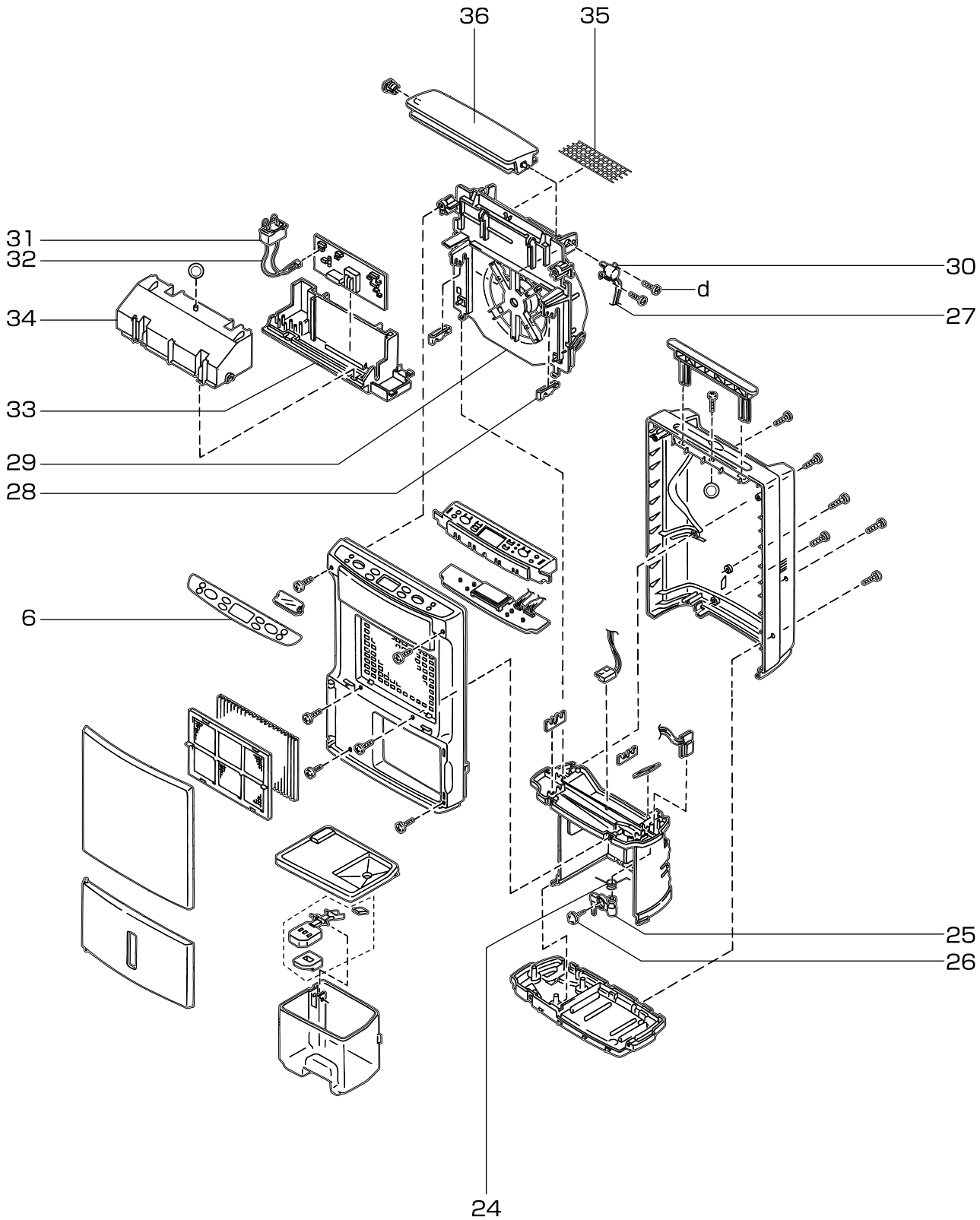
Parts Catalog

**Model MJ-E16SX-A1 Exploded View
<Casing and Structure>**



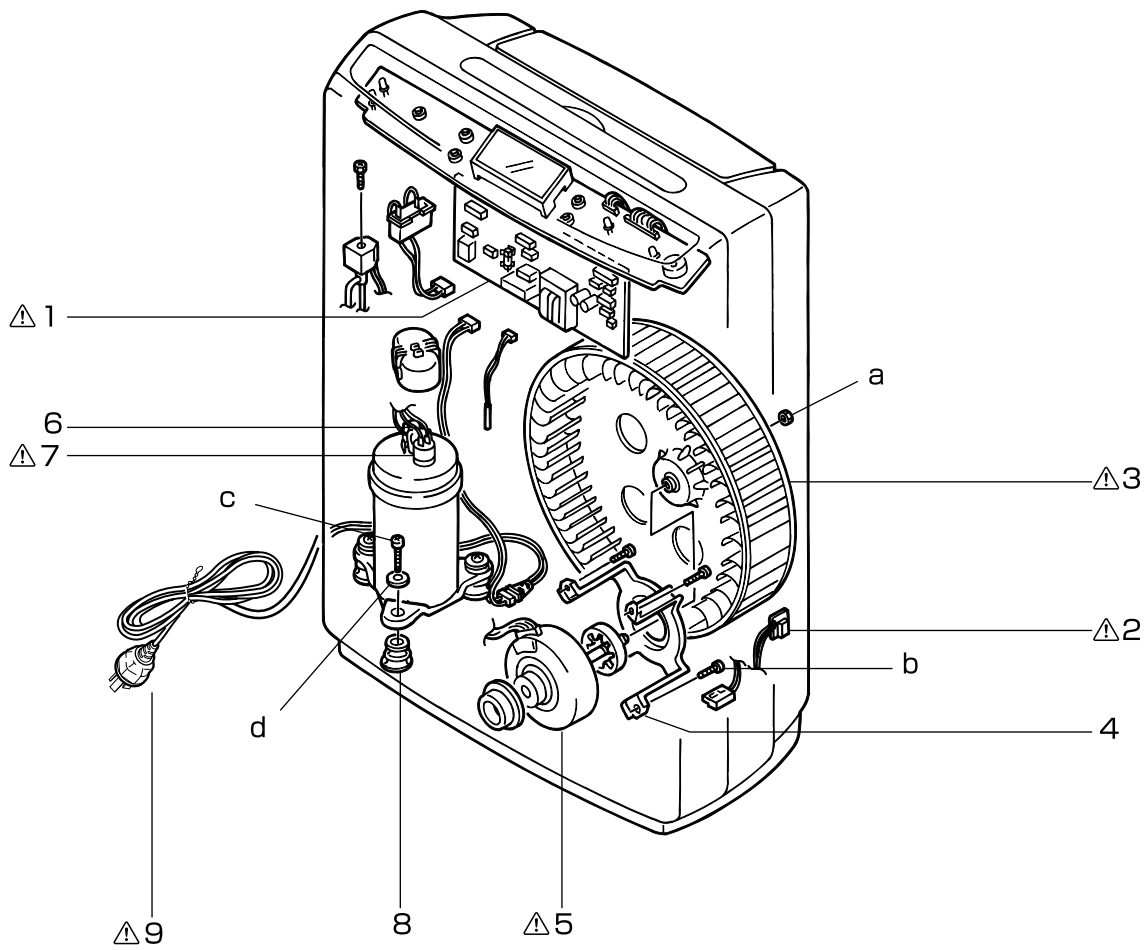
Parts Catalog

**Model MJ-E16SX-A1 Exploded View
<Casing and Structure>**



Parts Catalog

**Model MJ-E16SX-A1 Exploded View
<Electrical Parts>**



Parts Catalog

**Model MJ-E16SX-A1 Exploded View
<Compressor Parts>**

